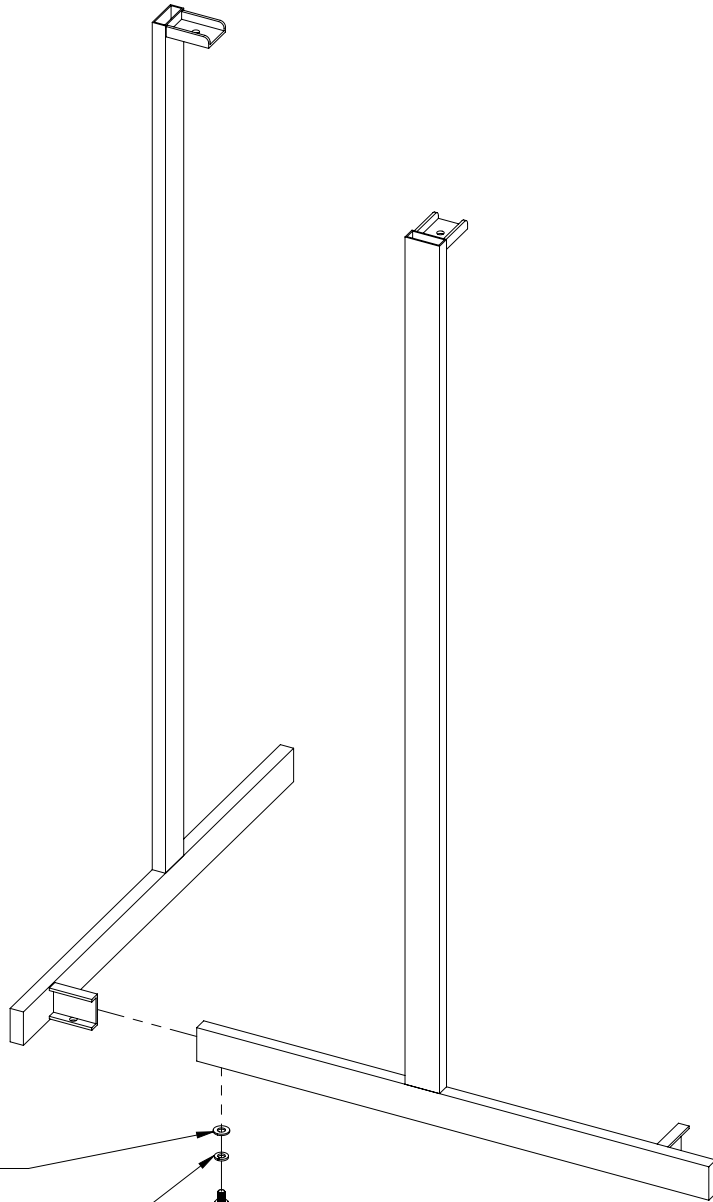


5/16" REGULAR WASHER
(MAY NOT BE INCLUDED,
NOT REQUIRED)

5/16" SPRING LOCK WASHER
3 REQUIRED FOR THIS STEP

5/16"-18 X 1/2" LONG
SOCKET HEX BOLT
3 REQUIRED FOR THIS STEP

Assembly Instructions for
item K80, K80-MAB AND
K80-SC



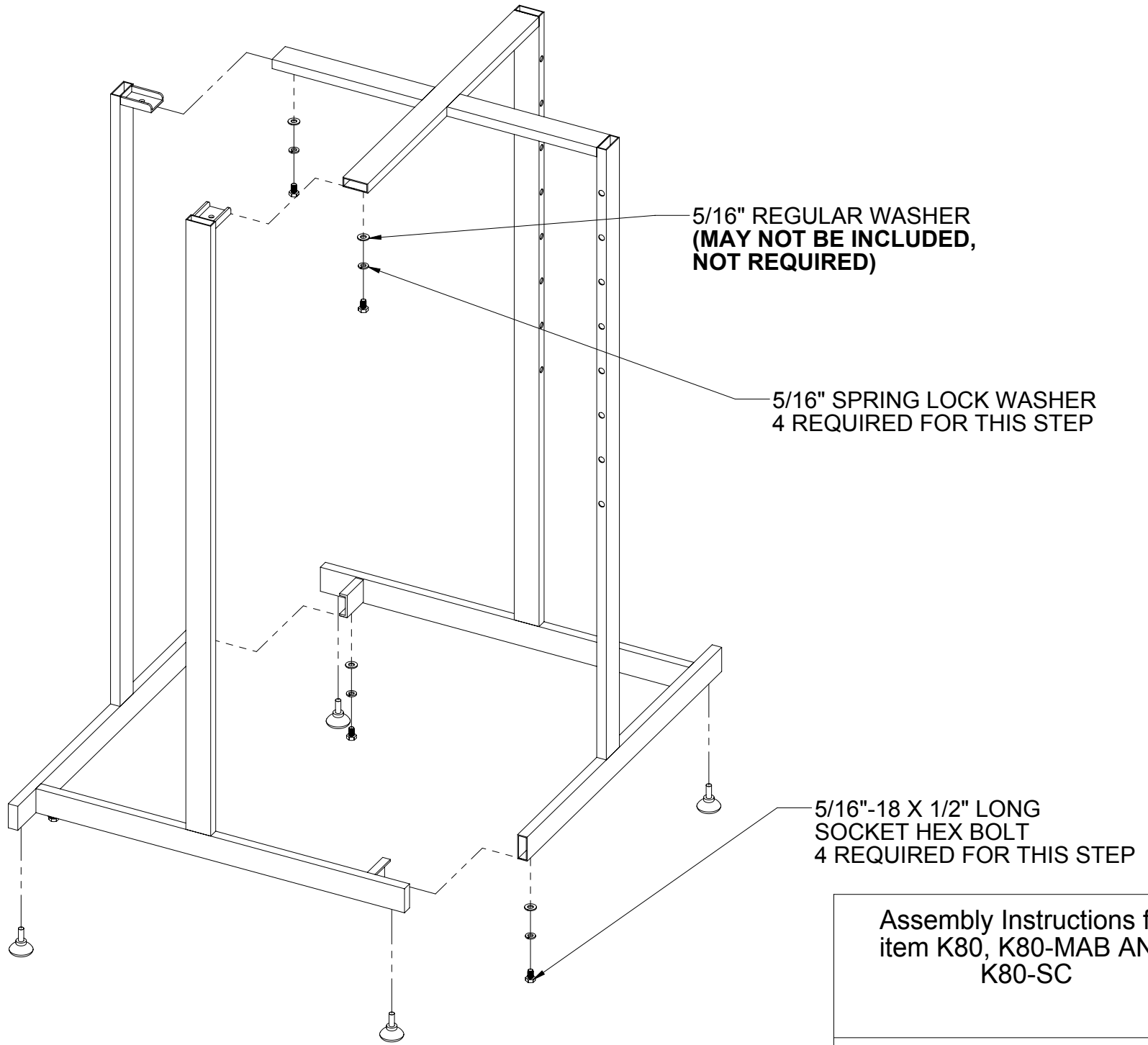
5/16" REGULAR WASHER
(MAY NOT BE INCLUDED,
NOT REQUIRED)

5/16" SPRING LOCK WASHER
1 REQUIRED FOR THIS STEP

5/16"-18 X 1/2" LONG
SOCKET HEX BOLT
1 REQUIRED FOR THIS STEP

Assembly Instructions for
item K80, K80-MAB AND
K80-SC

SHEET 2 OF 4



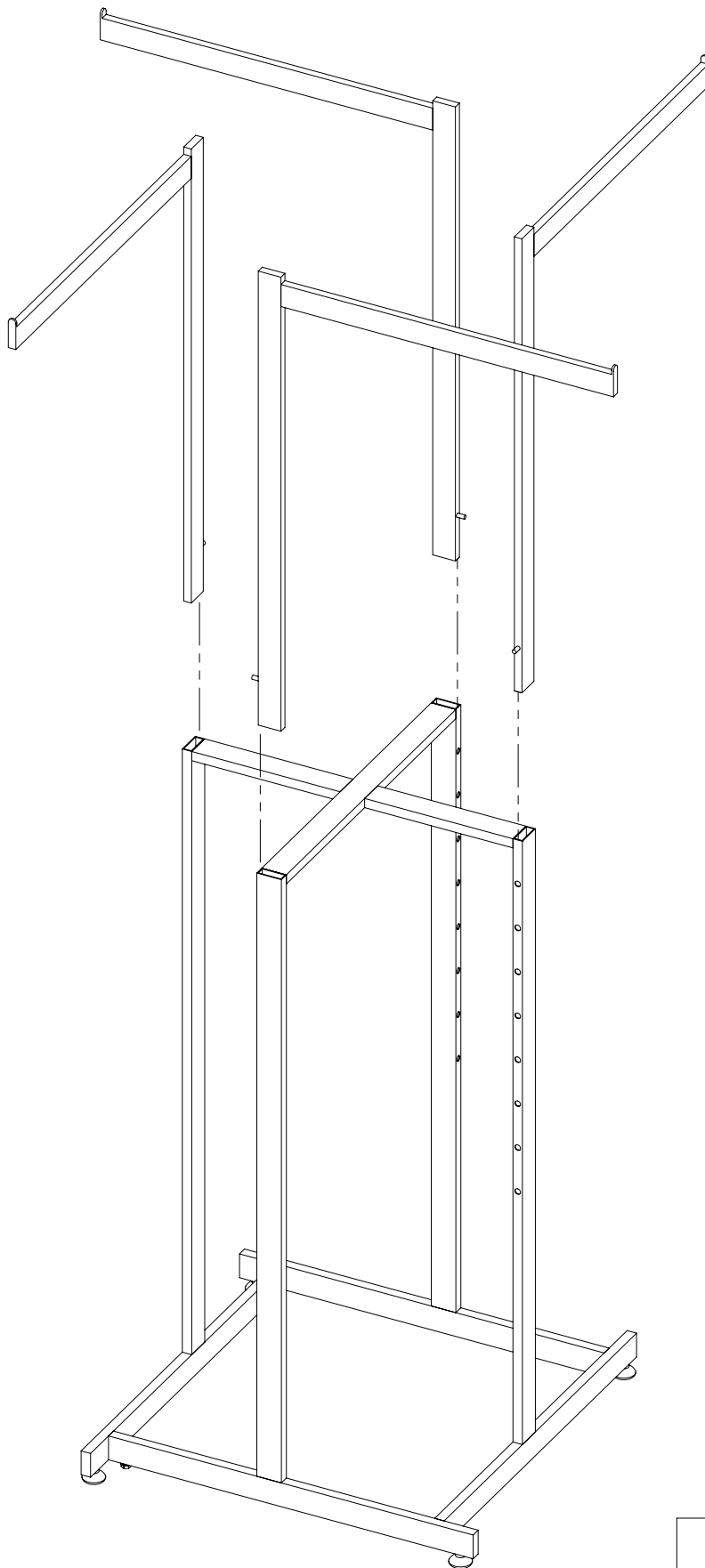
5/16" REGULAR WASHER
(MAY NOT BE INCLUDED,
NOT REQUIRED)

5/16" SPRING LOCK WASHER
4 REQUIRED FOR THIS STEP

5/16"-18 X 1/2" LONG
SOCKET HEX BOLT
4 REQUIRED FOR THIS STEP

Assembly Instructions for
item K80, K80-MAB AND
K80-SC

SHEET 3 OF 4



Assembly Instructions for
item K80, K80-MAB AND
K80-SC