

POWER ATTACHMENTS

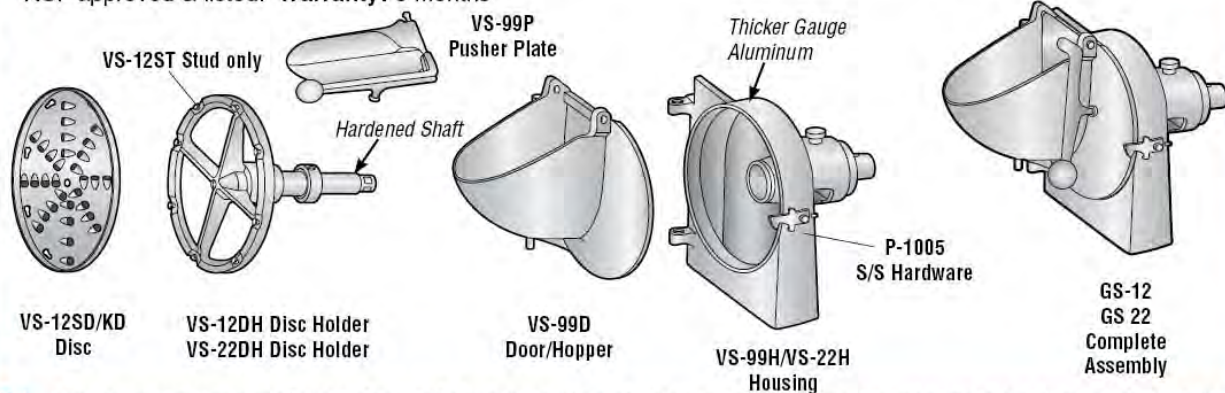
AVAILABLE IN
#22 HUB SIZE!

GRATER / SHREDDER ATTACHMENTS FOR HOBART #12 and #22 Power Hubs for Mixers, Grinders, Food Cutters and Power Drives

ALFA
EXCLUSIVE

NSF

Our attachments are Precision Machined of Heavy-Gauge polished aluminum and used by many Manufacturers as original equipment. The Shafts are hardened in a unique way and machined to close tolerances for Superior Performance. These units come with safety latches, full instructions and strong packing for shipping. All units are easily disassembled for cleaning. We carry Shredding & Grating Discs in a variety of hole sizes to fit any need. These units can be used on mixers, choppers and power drives with a standard Hobart style #12 or #22 hub. NSF approved & listed. **Warranty:** 6 months



Note: All hardware components are Stainless Steel. # 12 size Hubs are the most widely used size. Measure your equipments Hub to be sure before ordering.

Safety Note: Always Use A Pusher With These Units

ALFA #	REPLACES HOBART #	DESCRIPTION	WEIGHT
GS-12	VS9	#12 Grater/Shredder Attachment Complete with 3/16" Disc	21 lbs.
GS-22	VS9-22	#22 Grater/Shredder Attachment Complete with 3/16" Disc	21 lbs.
VS-99P	69316	Pusher/Feed Plate with Adjustable Stop	2 lbs.
VS-99D	295669	Door/Hopper with Mounting Pins	4 lbs.
VS-99H	83486-1	#12 Back Housing with Brass Bushing and Safety Latch	9 lbs.
VS-888 NEW!!	VS-9 BUILDUP	Set of #12 Door, Housing and Pusher Plate only	17 lbs.
VS-22H	24634-1	#22 Back Housing with Brass Bushing and Safety Latch	9 lbs.
VS-12DH	ML-16225-Z	#12 Disc Holder (Can be replaced with VS-12KDS)	5 lbs.
VS-22DH	ML-16226-Z	#22 Disc Holder (Can be replaced with VS-22KDS)	5 lbs.
VS-12ST	N/A	Disc Holder Stud, Non-Threaded & may not fit Hobart Disc Holder	0.1 lb.
P-1005	N/A	Door Latch for VS-99H/VS-22H (With adjusting Set Screw)	1 lb.
VS-12SD-(Size)	77045+(Size)	SS Shredding Disc made in Taiwan (In sizes shown below)	1 lb.
VS-12GD	77049	SS Universal Hard Cheese Grater Disc made in Taiwan	1 lb.
KD-(Size)	N/A	SS Shredding Disc made in Germany (In sizes shown below)	1 lb.
KD-GD	N/A	SS Hard Cheese Grater / Bread Crumb Disc made in Germany	1 lb.

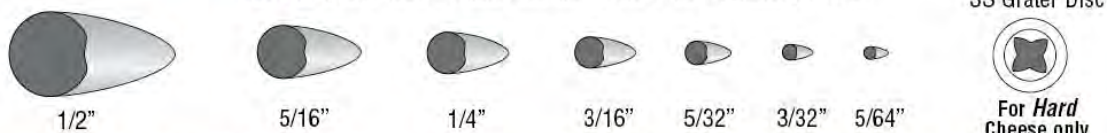
Size 12 Hub is 9/16" square

Size 22 Hub is 3/4" square

(only for older model 80 & 140 quart mixers)

SERVICE NOTE: Our Gs-12 & VS-12 Attachments fit Hobart LEGACY Model Equipment.

The Shredder/Grater Disc hole sizes noted below are not printed to scale.



The above parts are sold by Alfa International as replacement parts for Hobart Mixers. Alfa is not affiliated with Hobart.

POWER ATTACHMENTS

Operation & Maintenance Recommendations

VS / GS Attachments: **HAND WASH ONLY**, do **NOT** clean in the dishwasher. Commercial detergents and solvents may discolor the products anodized aluminum and will **VOID** the product warranty. For best performance, lubricate frequently after cleaning with USDA approved grease or oil noted on Page 56. These attachments should only be utilized under the following operating conditions: Hobart Planetary Mixers in 2nd or 3rd speed, in 1st or 2nd speed for 3 speed mixers & in 1st, 2nd & 3rd speed for 4 speed mixers.

Please note: Use the P-1005 Latch Set Screw (see VS/GS exploded parts Diagram on page 27) to adjust the tension of the VS/GS Attachment Door Latch. This setting will ensure proper closure of the Hopper Door and maintain safety during product operation. Do **NOT** exert extreme pressure on the VS/GS Attachment "Pusher Plate" Handle during operation. It may snap off or break, voiding the product warranty.

Take note to ensure that the Power Attachment **SHAFT** of any item is seated properly **INTO** the **HUB** of the Mixer or Power Drive that you are using. If you find that the "**door**" of the food processor doesn't "**close**" entirely or that the "**disc holder, disc itself or the slicer knife blade**" rubs up against the door of the unit, please "**EXAMINE**" the following "**TWO AREAS**":

1) **REMOVE ANY WASTE OR FOOD RESIDUE FROM THE HUB COUPLING RECEPTACLE.** This is where the power attachment SHAFT is inserted.

2) Ensuring that this area is now free of all waste build up, please note that there is a **SET SCREW** at the very end of the inside of this hub coupling collar. Please make sure that this set screw has not loosened over time during use. If it has, consult your mixer/power drive owner's manual and review the tightening procedures for this component. Once you have done so, tighten this set screw accordingly until it rests firmly in place. This should now allow your power attachment shaft to be seated correctly into the hub coupling for proper product operation.

Meat Chopper Head: **NEVER** operate your Meat Chopper Attachment "**dry**" or without product, as it can damage your machine. For optimal performance, replace your "Feed Screw Studs & Pins" when they show signs of wear or overuse. **NEVER** over-tighten the Cylinder End Ring. When using a 3 speed mixer, operate this product in 3rd speed only and when using a 4 speed mixer, use 2nd speed only during operation.

SHREDDER & GRATER PLATE HOLE SIZES WITH TYPICAL APPLICATIONS

Disc Hole Sizes	1/2" Course Plate 000	5/16" Medium Plate 0	1/4" Medium Plate 2	3/16" Medium Plate 3	5/32" Medium Plate 5	3/32" Fine Plate 7	5/64" Extra Fine Plate 9	Universal Grater Plate 14
Country of Origin	ALFA Part Number by Shredding/Grating Disc Hole Size							
Germany	KD-1/2	KD-5/16	KD-1/4	KD-3/16	KD-5/32	KD-3/32	KD-5/64	KD-GD
Taiwan	VS-12SD-1/2	VS-12SD-5/16	VS-12SD-1/4	VS-12SD-3/16	VS-12SD-5/32	VS-12SD-3/32	VS-12SD-5/64	VS-12GD
Food Product Type	Recommended Hole Size by Product Type							
Cole Slaw	●	●						
Hash Browns	●	●						
Bread Crumbs		●	●					●
Hard Vegetables	●	●	●					●
Soft Cheeses		●	●					
Pizza Cheeses			●	●	●			
Carrots for Coloring			●	●	●	●	●	
Taco Cheeses						●	●	
Hard Cheese								●
Spices							●	●
Nuts			●	●	●	●	●	●

Note: Stainless Steel Shredder Disc hole sizes (not drawn to scale)



1/2"



5/16"



1/4"



3/16"



5/32"



3/32"



5/64"

SS Grater Disc



For Hard Cheese only