

POWER ATTACHMENTS

VEGETABLE SLICER ATTACHMENTS

AVAILABLE IN
#22 HUB SIZE!

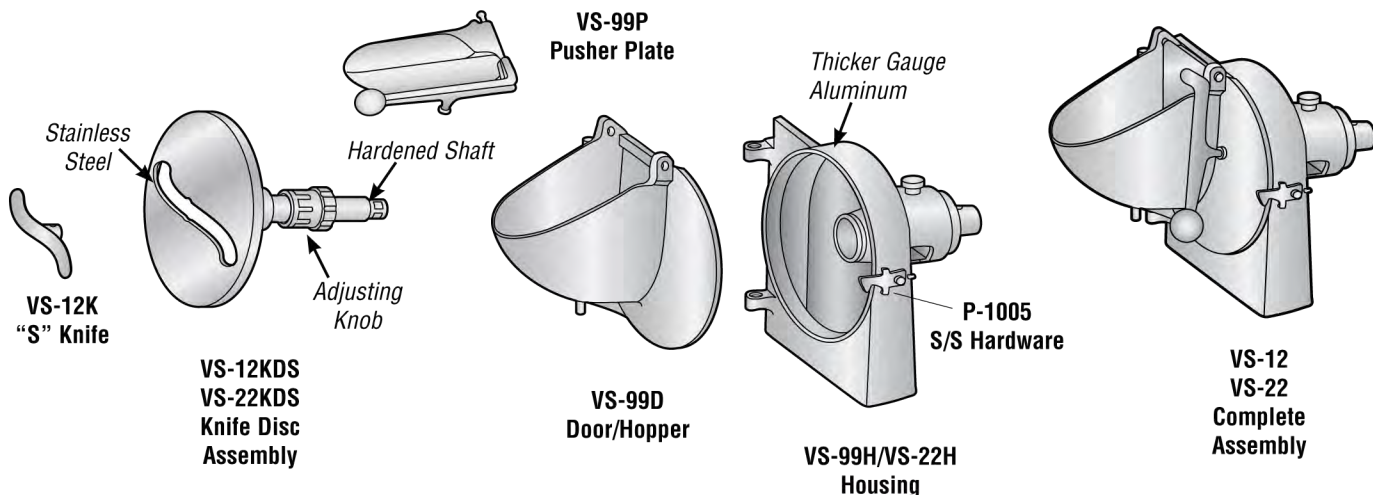
FOR HOBART

#12 and #22 Power Hubs for Mixers, Grinders, Food Cutters and Power Drives

ALFA
EXCLUSIVE



Our Vegetable Slicer Unit is precision machined out of polished aluminum and supplied to many major OEMs. The Stainless Steel, one-piece "S" Knife is finely honed for sharp, clean cuts. The "Knife Disc Assembly" features an adjusting knob for easy thickness calibration & cleaning. Our unit is designed for easy disassembly and equipped with a Hopper Door "safety latch". Each Slicer Attachment is suitable for use on compatible # 12 & # 22 size hub Mixers, Meat Choppers/Grinders, Food Cutters & Power Drives. NSF approved & listed. **Warranty:** 6 months



Safety Note: Always Use A Pusher With These Units

ALFA #	REPLACES HOBART #	DESCRIPTION	WEIGHT
VS-12	VS9	#12 Complete Vegetable Slicer Attachment (9/16 Square Hub) Complete with VS-12KDS Adjustable Knife Assembly	23 lbs.
VS-888 NEW!!	VS-9 BUILDUP	Set of #12 Door, Housing and Pusher Plate only	16 lbs.
VS-22	VS9-22	#22 Complete Vegetable Slicer Attachment (3/4" Square Hub)	23 lbs.
VS-12K	79725	S/S "S" Knife only w/o Pin for ALFA VS-12KDS only - not for Hobart	1 lb.
VS-12KDS	ML-16223-Z	#12 Knife Assembly Complete with Adjusting Knob and "S" Knife	6 lbs.
VS-22KDS	294938-4	#22 Knife Assembly Complete with Adjusting Knob and "S" Knife	6 lbs.
VS-99H	83486-1	#12 Back Housing with Brass Bushing and Safety Latch	9 lbs.
VS-22H	24634-1	#22 Back Housing with Brass Bushing and Safety Latch	9 lbs.
VS-99P	69316	Pusher/Feed Plate with Adjustable Stop	2 lbs.
VS-99D	295669	Door/Hopper with Mounting Pins	4 lbs.
P-1005 NEW!!	N/A	Door Latch for VS-99H/VS-22H (With adjusting Set Screw)	0.1 lb.
P-1008 NEW!!	N/A	Size 12 Back Mounting Hub	1 lb.
P-1008-22	N/A	Size 22 Back Mounting Hub	1 lb.

SERVICE TIPS: Power Attachments should **NEVER** be operated at the highest operation speed. Clean this equipment with mild soap & water solutions exclusively. **DO NOT CLEAN in a DISHWASHER** or use strong solvents, bleach and/or cleaning solutions. Doing so will **VOID** all product warranties. **ALWAYS LUBRICATE** with a approved "food grade lubricant" prior to storage and/or between uses.

Service Note: Our Gs-12 & VS-12 Attachments fit Hobart LEGACY Model Equipment

The above parts are sold by Alfa International as replacement parts for Hobart Attachments. Alfa is not affiliated with Hobart.