



“WE MAKE THE KITCHEN BETTER!”

Toll Free: 855-855-0399 Email: info@atosausa.com
www.atosa.com | www.atosausa.com
California, Colorado, Florida, Georgia, Illinois,
Massachusetts, New Jersey, Ohio, Texas, Washington

Angle Curved Glass Top Chest Freezers

Standard Features

- Atosa Glass Lid Curved Top Freezer MMF9110 and MMF9113 are uniquely designed with high value for perfect storage of ice cream and all types of frozen merchandise and seasonal specialties
- Good energy efficiency system with environmentally friendly R290 refrigerant
- High quality refrigeration system that maintains chamber temperature at -10°F to -1°F for best in ice cream and all types of frozen merchandise preservation.
- Chamber temperature display on front shows chamber cooling and food storage status
- Bright LED interior light provide more even lighting throughout the cabinet
- Standard accessory food baskets fully loaded , 3 baskets for MMF9110, 4 baskets for MMF9113
- Cabinet temperature can be adjusted by thermostat easily
- Unit completely pr-wired at factory and ready to connection of power 115/60/1 phase, Cord and plug NEMA-5-15 included
- ETL safety and ETL Sanitation conforms to NSF-7 standard approval for store or display of packaged and bottled products
- 3” good insulation by foamed-in-place high density polyurethane cell insulation
- Door lock standard feature provides security in field.
- Convenient defrost drain for easy cleaning

MODELS:

MMF9110 / MMF9113



MMF9110



MMF9113

For the best results of food preservation we recommend setting your freezer between -10 °F to -1 °F

1. Don't forget to leave the unit some room to breathe!
2. Please clean the condenser frequently to give the unit more fresh air.



1 YEAR PARTS AND LABOR WARRANTY (US ONLY)
5 YEAR COMPRESSOR PART WARRANTY (US ONLY)





“WE MAKE THE KITCHEN BETTER!”

Toll Free: 855-855-0399 Email: info@atosausa.com

www.atosa.com | www.atosausa.com

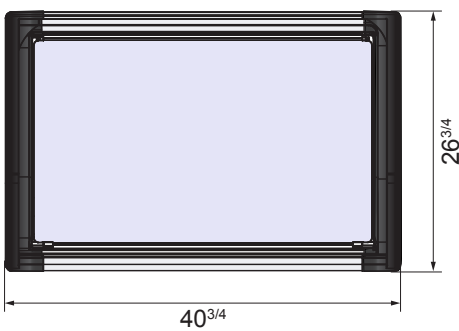
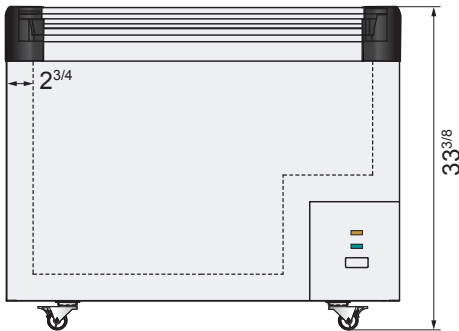
California, Colorado, Florida, Georgia, Illinois,
Massachusetts, New Jersey, Ohio, Texas, Washington

SPECIFICATIONS

Models	Door	Baskets	Capacity (Cu.Ft.)	Casters (inch)	Amps (A)	Voltage (V/Hz/Ph)	Refrigerant	Exterior Dimensions (inch)	Net Weight (lbs)	Gross Weight (lbs)
MMF9110	2	3	9.6	2	1.6	115/60/1	R290	40 ^{3/4} ×26 ^{3/4} ×33 ^{3/8}	126	132
MMF9113	2	4	12.5	2	1.6	115/60/1	R290	50 ^{1/8} ×26 ^{3/4} ×33 ^{3/8}	145	150

PLAN VIEW

MMF9110



MMF9113

