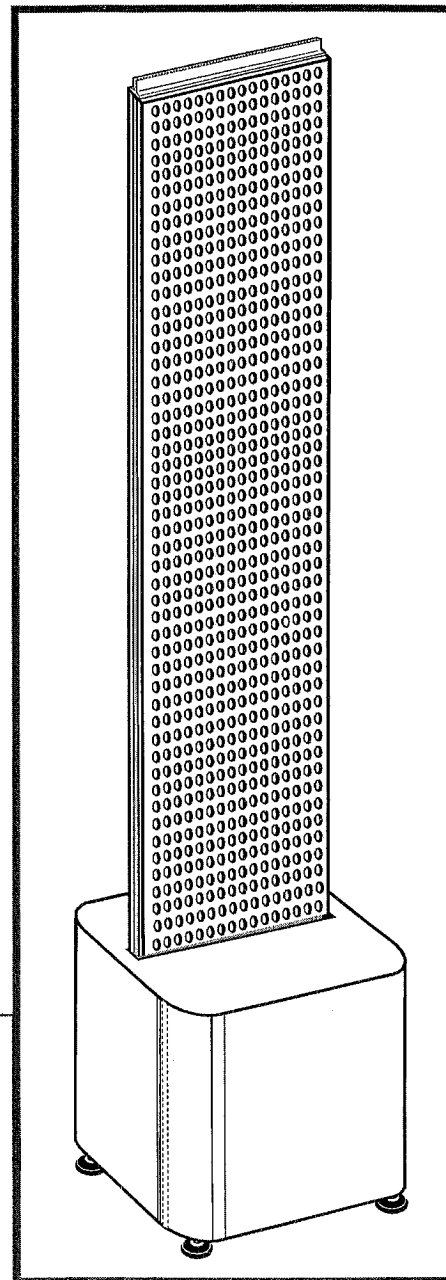
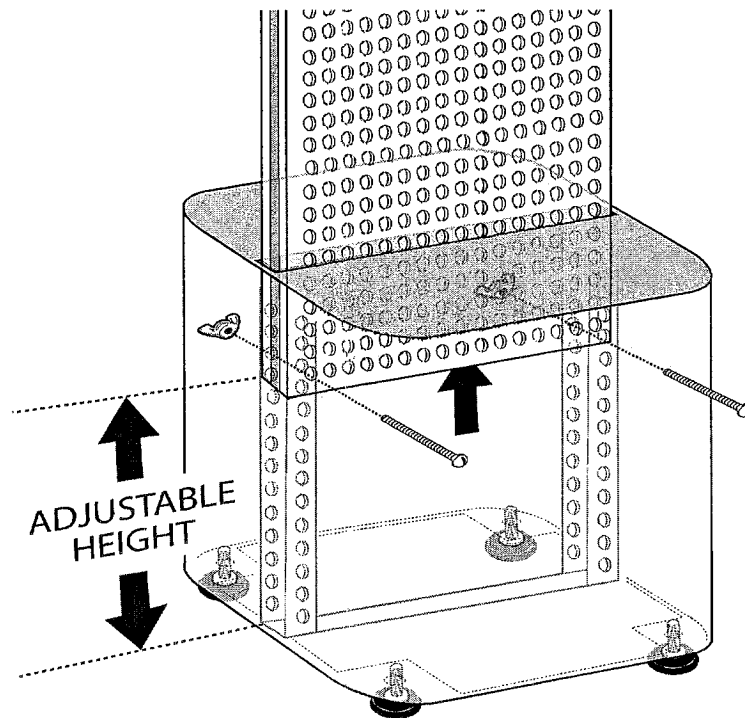
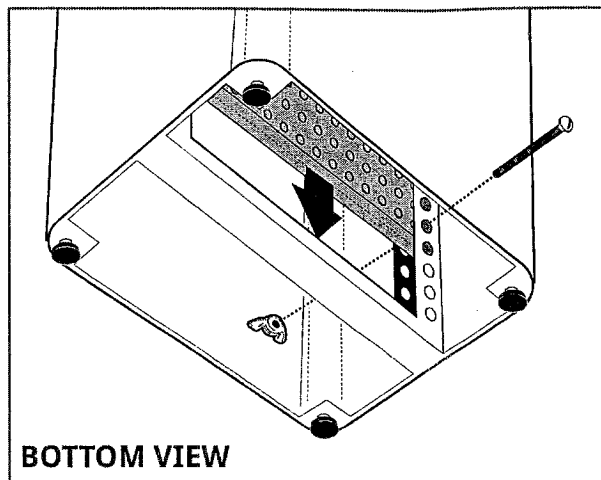


ITEM #700775 16" X 60" ADJUSTABLE TWO-SIDED PEGBOARD FLOOR DISPLAY



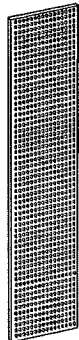
ASSEMBLY:

Place pegboard top into base. Adjust pegboard to your height specification, then put screw into holes on metal frame and through pegboard holes together. Screw wing nuts tightly onto screws.



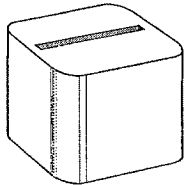
#700775 - 16" X 60" ADJUSTABLE

PART# 771660




1 pc.
16" X 60" DOUBLE SIDED PEGBOARD

PART# B-700775-SLV



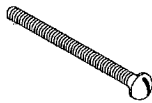
1 pc.
METAL SQUARE BASE

PART# 700076



1 pc.
16" T-STRIP (ATTACHED TO PEGBOARD)

PART# P-SCREW-2.5




4 pcs.
BOLTS

PART# P-WNUT-10ZP



4 pcs.
WING NUTS

PART# 600075



4 pcs.
LEVELERS (ATTACHED TO THE METAL BASE)