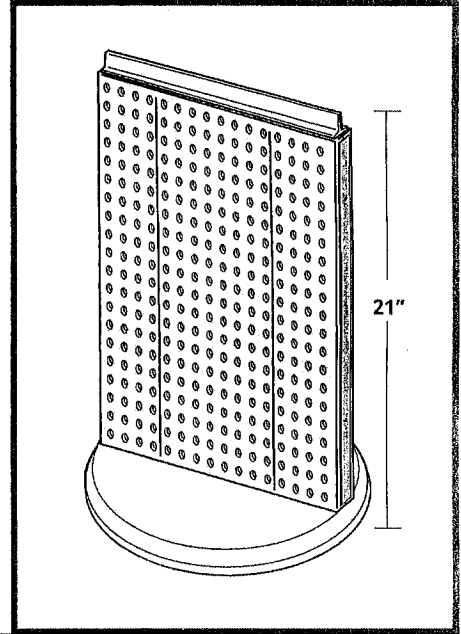
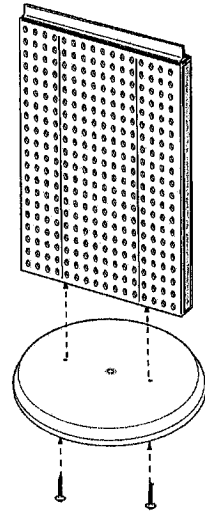
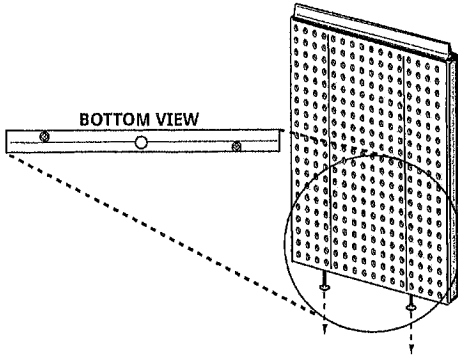


ITEM #700500 16" X 20" REVOLVING PEGBOARD COUNTER DISPLAY



1 Unscrew the two screws from the bottom of the pegboard panel.

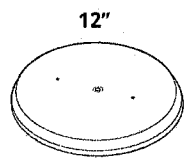
2 Align the revolving base with the pegboard so the holes match. Secure the pegboard to the base with provided screws.



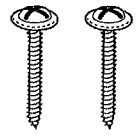
#700500 - 16" X 20"

PART# 771620 / 700076
1 pc.
 16" X 20" DOUBLE SIDED
 PEGBOARD PANEL WITH 16" T-STRIP

PART# 610112
1 pc.
 12" PLASTIC
 REVOLVING BASE



2 pcs.
 SCREWS



WWW.AZARDISPLAYS.COM

SALES@AZARDISPLAYS.COM