



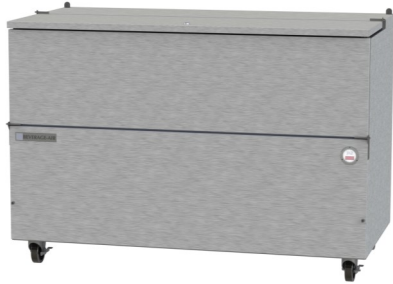
# BEVERAGE-AIR

Project: _____	AIA#
Item: _____	
Location: _____	SIS#
Approved: _____	

## SM SCHOOL MILK COOLERS

SM58HC Single Access, Cold Wall  
Hydrocarbon Series

**MODELS:**  
SM58HC-S  
SM58HC-W



**SM58HC-S**



**SM58HC-W**

**3 Year Parts/Labor Warranty**  
**Additional 2 Year Compressor Warranty**

### CABINET CONSTRUCTION

- SS units: Stainless steel exterior and interior
- White units: White coated steel exterior and interior is galvanized steel with stainless steel floor for maximum milk crate support.
- Lids, doors, adjustable hinges and door latches made from stainless steel are standard on all units
- Full electronic Control
- Heavy-duty epoxy coated steel wire floor racks standard
- Floor drain is centrally located for easy cleaning, connecting to drain hose with hose adapter
- Flexible compression door gaskets ensure tight seal
- Self-latching doors/lids with safety bumpers
- Exterior thermometer
- Cylinder lock
- 4" Heavy-duty plate casters (2 with locks)
- Maintains continuous milk temperature between 36° - 38°F

### OPTIONS & ACCESSORIES

- Wrap around & corner bumpers
- Graphics

### REFRIGERATION SYSTEM

- Refrigeration system uses R290 refrigerant to comply with all environmental concerns
- Automatic, non-electric defrost
- Epoxy coated evaporator coil

SM58HC Single Access, Cold Wall : School Milk Series



3779 Champion Blvd., Winston-Salem, NC 27105  
1-888-845-9800 Fax: 1-336-245-6453  
Beverage-Air.com sales@bevair.com



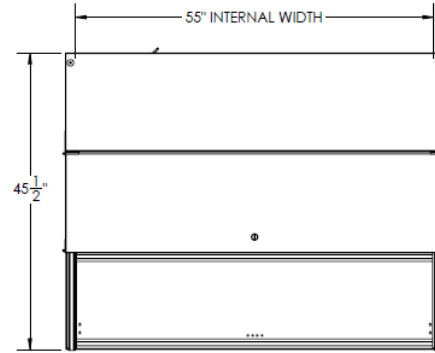
# BEVERAGE-AIR

## SM Series—School Milk Cooler

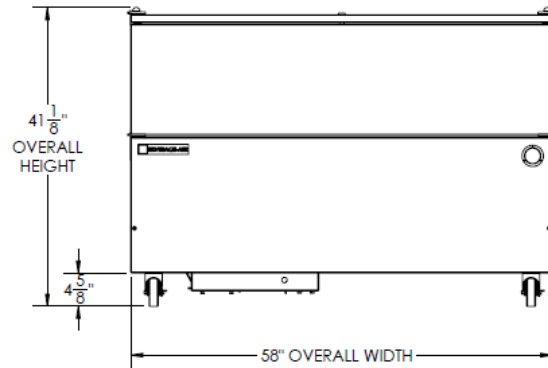
Models: SM58HC-S, SM58HC-W

MODEL	SM58HC-S	SM58HC-W
<b>EXTERNAL DIMENSIONAL DATA</b>		
Width Overall	58"	58"
Depth Overall	30 5/8"	30 5/8"
Height Overall with 4" Casters	41 1/8"	41 1/8"
Number of Lids/Doors	Single Access	Single Access
<b>INTERNAL DIMENSIONAL DATA</b>		
NET Capacity (cubic ft.)	22.63	22.63
Internal Width Overall (in)	55"	55"
Internal Depth Overall (in)	27"	27"
Internal Height Overall (in)	25 3/4"	25 3/4"
<b>CASE CAPACITIES</b>		
13" x 13" x 11"	16	16
19" x 13" x 11"	10	10
<b>ELECTRICAL DATA</b>		
Full Load Amperes 115/60/1	2.2	2.2
<b>REFRIGERATION DATA</b>		
Horsepower	1/3	1/3
Capacity BTU	1434	1434
<b>WEIGHT DATA</b>		
Gross Weight (Crated lbs)	376 lbs	376 lbs
Height - Crated	47"	47"
Width - Crated	61"	61"
Depth - Crated	34"	34"

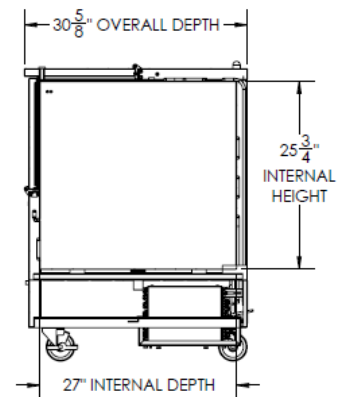
### Model Views



### Plan View



### Elevation View



### Side View

### ELECTRICAL CONNECTION



115/60/1  
NEMA-5-15P

Units pre-wired at factory and include 8' long cord and plug set.



an Ali Group Company



3779 Champion Blvd., Winston-Salem, NC 27105  
1-888-845-9800 Fax: 1-336-245-6453  
Beverage-Air.com sales@bevair.com