



# BEVERAGE-AIR

Project: _____	AIA#
Item: _____	
Location: _____	SIS#
Approved: _____	

## ST SCHOOL MILK COOLERS

ST34HC Dual Access, Cold Wall  
Hydrocarbon Series

**MODELS:**  
ST34H-S  
ST34HC-W

ST34HC Dual Access, Cold Wall : School Milk Series



**ST34HC-S**



**ST34HC-W**

**3 Year Parts/Labor Warranty**  
**Additional 2 Year Compressor Warranty**

### CABINET CONSTRUCTION

- SS units: Stainless steel exterior and interior
- White units: White coated steel exterior and interior is galvanized steel with stainless steel floor for maximum milk crate support.
- Lids, doors, adjustable hinges and door latches made from stainless steel are standard on all units
- Full electronic Control
- Heavy-duty epoxy coated steel wire floor racks standard
- Floor drain is centrally located for easy cleaning, connecting to drain hose with hose adapter
- Flexible compression door gaskets ensure tight seal
- Self-latching doors/lids with safety bumpers
- Exterior thermometer
- Cylinder lock
- 4" Heavy-duty plate casters (2 with locks)
- Maintains continuous milk temperature between 36° - 38°F

### OPTIONS & ACCESSORIES

- Wrap around & corner bumpers
- Graphics

### REFRIGERATION SYSTEM

- Refrigeration system uses R290 refrigerant to comply with all environmental concerns
- Automatic, non-electric defrost
- Epoxy coated evaporator coil



3779 Champion Blvd., Winston-Salem, NC 27105  
1-888-845-9800 Fax: 1-336-245-6453  
Beverage-Air.com sales@bevair.com



# BEVERAGE-AIR

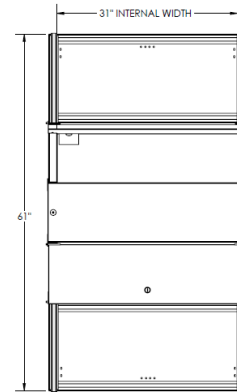
## ST Series—School Milk Cooler

Models: ST34HC-S, ST34HC-W

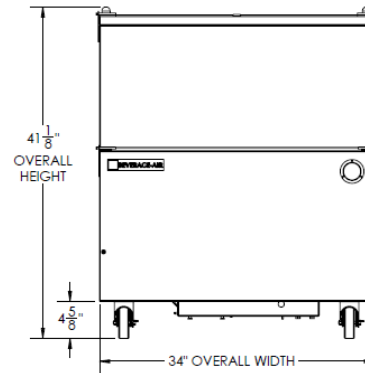
MODEL	ST34HC-S	ST34HC-W
<b>EXTERNAL DIMENSIONAL DATA</b>		
Width Overall	34"	34"
Depth Overall	31 1/4"	31 1/4"
Depth Overall with Lids/Doors Extended	61"	61"
Height Overall with Casters	41 1/8"	41 1/8"
Number of Lids/Doors	Dual Access	Dual Access
<b>INTERNAL DIMENSIONAL DATA</b>		
NET Capacity (cubic ft.)	12.37	12.37
Internal Width Overall (in)	31"	31"
Internal Depth Overall (in)	27"	27"
Internal Height Overall (in)	25 1/2"	25 1/2"
<b>CASE CAPACITIES</b>		
13" x 13" x 11"	8	8
19" x 13" x 11"	4	4
<b>ELECTRICAL DATA</b>		
Full Load Amperes 115/60/1	3.7	3.7
<b>REFRIGERATION DATA</b>		
Horsepower	1/2	1/2
Capacity BTU	1690	1690
<b>WEIGHT DATA</b>		
Gross Weight (Crated lbs)	270 lbs	270 lbs
Height - Crated	47"	47"
Width - Crated	37"	37"
Depth - Crated	34"	34"

### Model Views

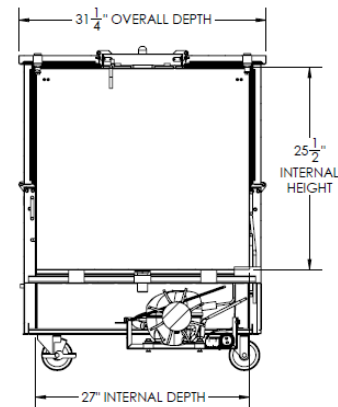
Plan View



Elevation View



Side View



### ELECTRICAL CONNECTION

Units pre-wired at factory and include 8' long cord and plug set.



115/60/1  
NEMA-5-15P



an Ali Group Company



The Spirit of Excellence

3779 Champion Blvd., Winston-Salem, NC 27105  
1-888-845-9800 Fax: 1-336-245-6453  
Beverage-Air.com sales@bevair.com