


# AXIOM-15-3 (2U/1L Warmer)

18.9" x 21.4" x 8.5"  
(48.0cm x 54.4cm x 21.6cm)



 Servers and airpots sold separately

- Adjusts automatically to varying water pressure
- Automatic warmer shut-off
- For high lime areas, BrewLOGIC® technology calculates flow rate and adjusts brew time to maintain consistent pot levels
- Electronic diagnostics and built-in tank drain make service easier
- Large 200oz. (5.9L) tank provides back-to-back brewing capacity
- Ensure coffee quality with programming for brew level, cold brew lock-out and tank temperature, set easily from the front of the machine
- Coffee extraction controlled with programmable pre-infusion, pulse brew and digital temperature control
- Energy-saver mode reduces tank temperature during idle periods
- Hot water faucet
- SplashGard® funnel deflects hot liquids away from the hand

Agency:



## Specifications

**Product #:** 38700.0000

**Warmers:** Two Upper/ One Lower

**Water Access:** Plumbed

**Finish:** Stainless

**Funnel:** Black Plastic

**Faucet:** Upper

## Additional Features

DBC

## Electrical & Capacity

Volts	Amps	Watts	Cord Attached	Plug Type	8oz cups/hr 236ml cups/hr	Input H <sub>2</sub> O Temp.	Phase	# Wires plus Ground	Hertz
120	15	1800	Yes	NEMA 5-15P	67	60°F (15.5°C)	1	2	60

## Plumbing Requirements

PSI	kPa	Fitting Supplied	Water Flow Required (GPM)
20-90	138-621	1/4" Male Flare Fitting	-

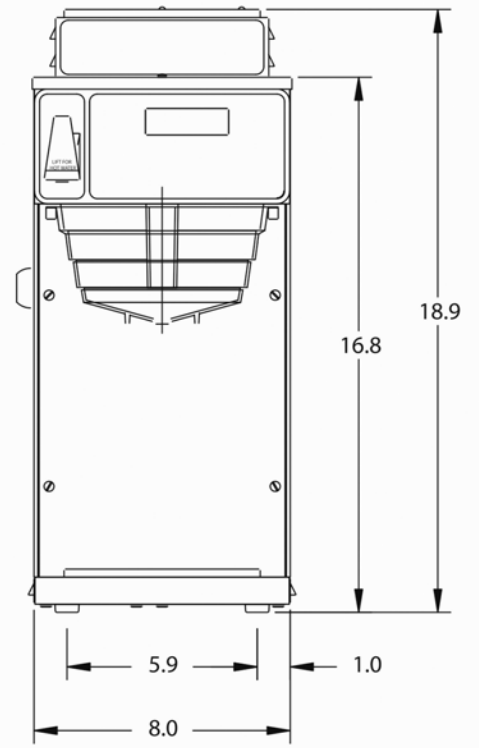
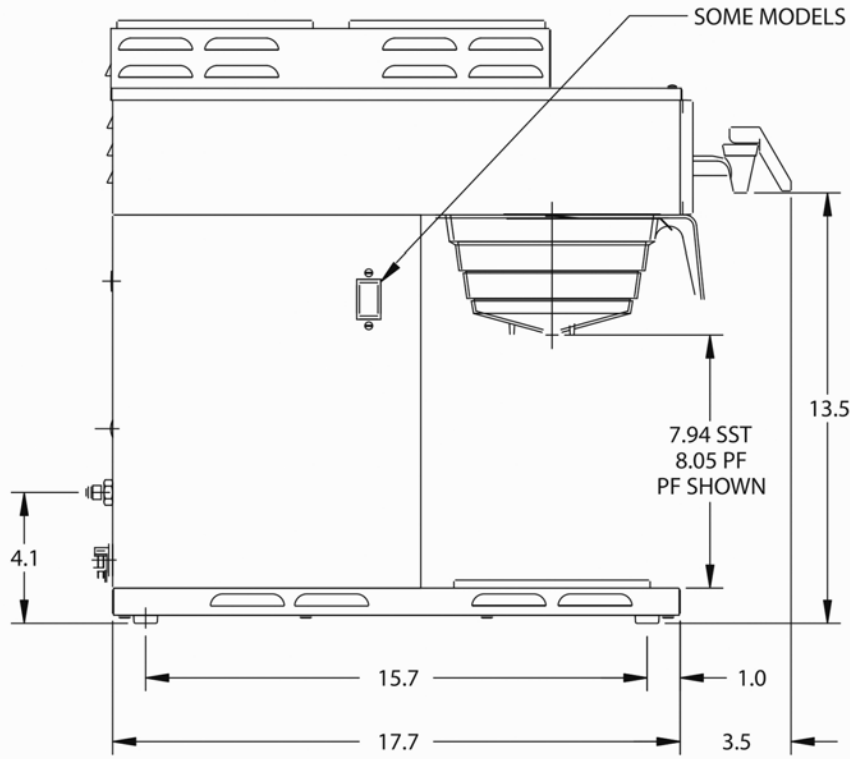
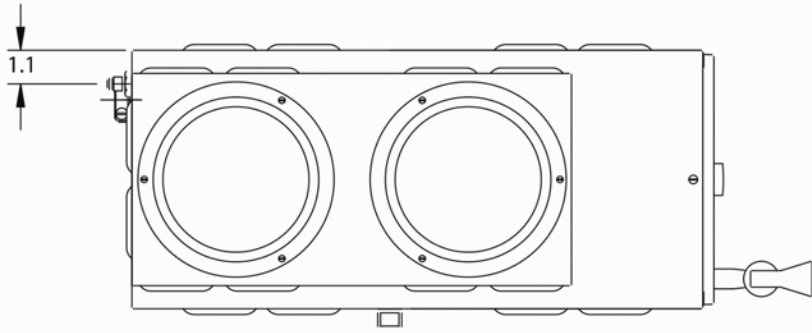
## CAD Drawings

2D	Revit	KLC
•		



BUNN® reserves the right to change specifications and product design without notice. Such revisions do not entitle the buyer to corresponding changes, improvements, additions or replacements for previously purchased equipment. For most current specifications and other info visit [bunn.com](http://bunn.com).

Created on:  
02/05/2016



	Unit			Shipping				
	Width	Height	Depth	Width	Height	Depth	Weight	Volume
English	8.5 in.	18.9 in.	21.4 in.	-	-	-	30.507 lbs	5.440 ft <sup>3</sup>
Metric	21.6 cm	48.0 cm	54.4 cm	-	-	-	13.838 kgs	0.154 m <sup>3</sup>



BUNN® reserves the right to change specifications and product design without notice. Such revisions do not entitle the buyer to corresponding changes, improvements, additions or replacements for previously purchased equipment. For most current specifications and other info visit [bunn.com](http://bunn.com).

Created on:  
02/05/2016

Related Products & Accessories: AXIOM-15-3 (2U/1L Warmer)(38700.0000)



FILTERS,REGULAR1M  
500/2 50/CL

Product #: 20115.0000



FUNNEL W/DECALS,  
BLACK PLASTIC

Product #: 20583.0003



WATER FILTER  
SYSTEM, EQ-17-TL

Product #: 30200.1000



WATER FILTER,IN LINE  
ED-17-TL

Product #: 30201.1001



BUNN® reserves the right to change specifications and product design without notice. Such revisions do not entitle the buyer to corresponding changes, improvements, additions or replacements for previously purchased equipment. For most current specifications and other info visit [bunn.com](http://bunn.com).

Created on:  
02/05/2016

# Serving & Holding Options: AXIOM-15-3 (2U/1LWarmer)(38700.0000)

				
EASY POUR,(BLK) 1/CS Product #:06100.0101	EASY POUR,(BLK) 2/CS Product #:06100.0102	EASY POUR,(BLK) 3/CS Product #:06100.0103	EASY POUR,(BLK) 6/CS Product #:06100.0106	EASY POUR,(BLK) 12/CS Product #:06100.0112
				
EASY POUR,(BLK) 24/CS Product #:06100.0124	EASY POUR,(BLK) 6-1/2 CS Product #:06100.0156	EASY POUR,(ORN) 1/CS Product #:06101.0101	EASY POUR,(ORN) 2/CS Product #:06101.0102	EASY POUR,(ORN) 3/CS Product #:06101.0103
				
EASY POUR,(ORN) 6/CS Product #:06101.0106	EASY POUR,(ORN) 12/CS Product #:06101.0112	EASY POUR,(ORN) 24/CS Product #:06101.0124	DECANTER, GLASS-BLK 12C 24/CS Product #:42400.0024	DECANTER, GLASS-BLK 12CUP 1PK Product #:42400.0101
				
DECANTER, GLASS-BLK 12C 3/CS Product #:42400.0103	DECANTER, GLASS-ORN 12C 24/CS Product #:42401.0024	DECANTER, GLASS-ORN 12 CUP 1PK Product #:42401.0101	DECANTER, GLASS-ORN 12C 3/CS Product #:42401.0103	



BUNN® reserves the right to change specifications and product design without notice. Such revisions do not entitle the buyer to corresponding changes, improvements, additions or replacements for previously purchased equipment. For most current specifications and other info visit [bunn.com](http://bunn.com).

Created on:  
02/05/2016