

# BURNSIDE

## ASSEMBLY INSTRUCTIONS

### BALLET BAR

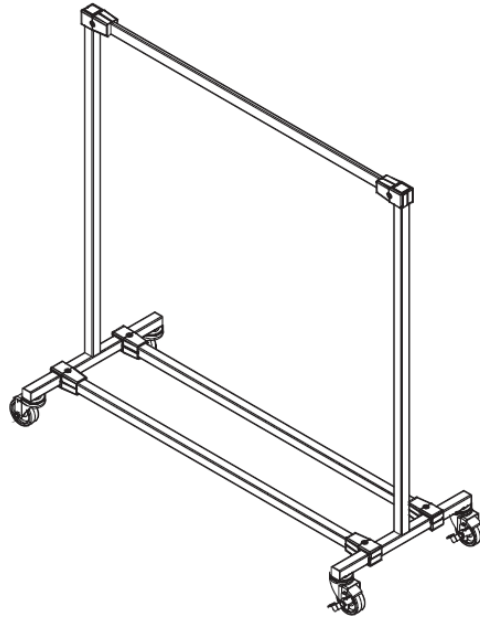
// 292-BB-48

Made of 1 1/4" square tubing in  
Metallic Silver finish

4" steel/rubber locking casters

Comes with 4 adjustable height arms

57.15"H X 48"W X 20"D



# BURNSIDE

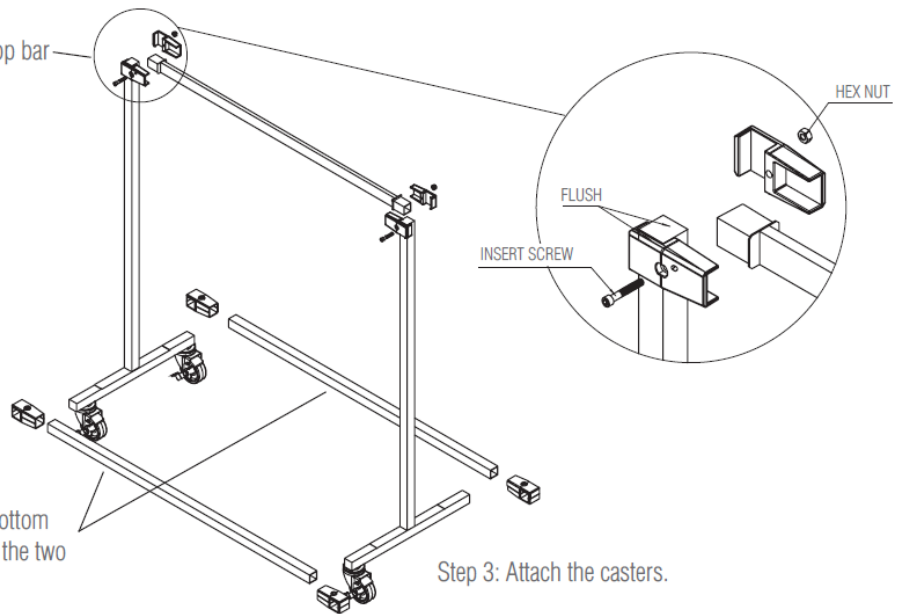
## ASSEMBLY INSTRUCTIONS

## BALLET BAR

Step 2: Attach top bar

Step 1: Build the bottom  
frame by attaching the two  
side bars.

Step 3: Attach the casters.



COMPLETED  
FIXTURE

