

BURNSIDE

ASSEMBLY INSTRUCTIONS

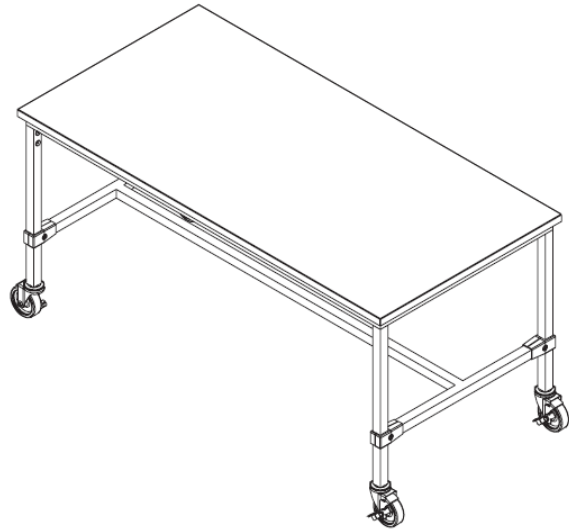
LG NESTING TABLE

// 292-TABLE-LG

Made of 1 1/4" square tubing in
Metallic Silver finish

4" steel/rubber casters (2 locking)

30"D x 60"W x 30"H

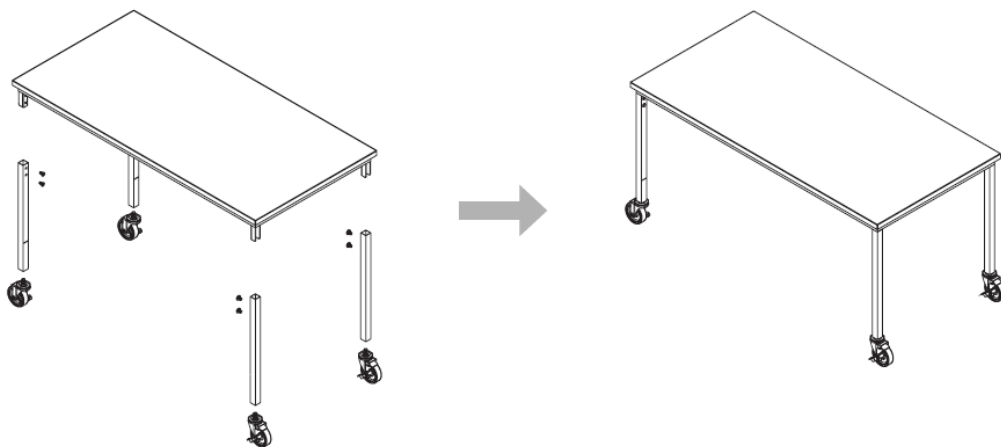


BURNSIDE

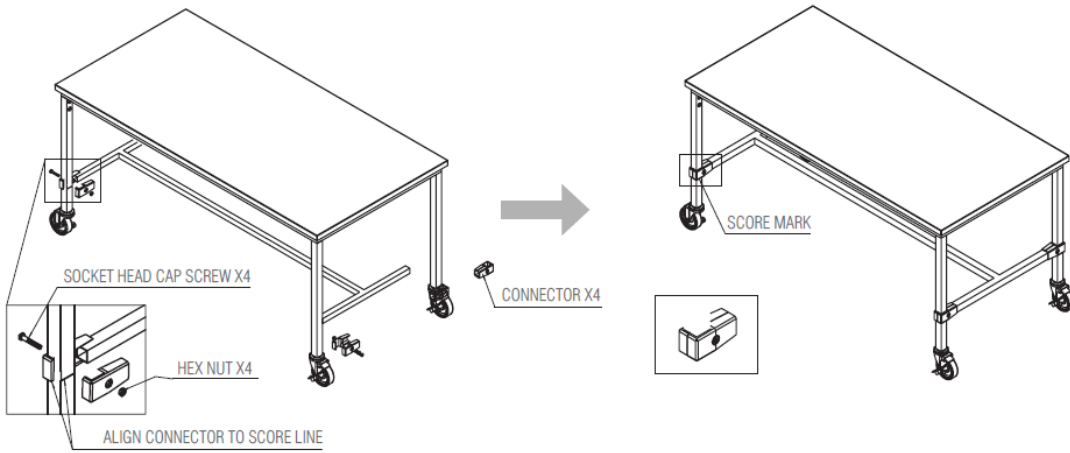
ASSEMBLY INSTRUCTIONS

LG NESTING TABLE

Step 1: Attach the legs to the table top.
Step 2: Screw on the casters.



Step 3: Attach the rail to the legs with the four connectors.
Line up the bottom of the connector with the score line.
Tighten after each corner has been lined up.



COMPLETED
FIXTURE

