

# BURNSIDE

## ASSEMBLY INSTRUCTIONS

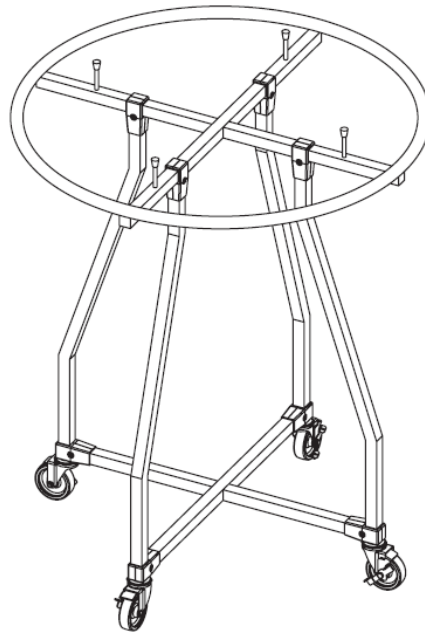
### ROUND RACK // 292-ROUND-M-K 292-ROUND-G-K

42" diameter round rack in a Metallic Silver finish

4" steel/rubber casters (2 locking)

Comes with a 36" diameter top shelf in metal or 3/16" tempered glass

Overall height is 51½"

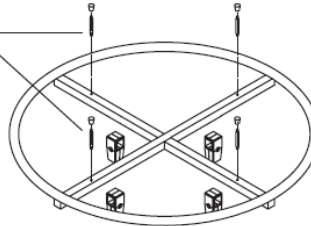


## BURNSIDE

### ASSEMBLY INSTRUCTIONS

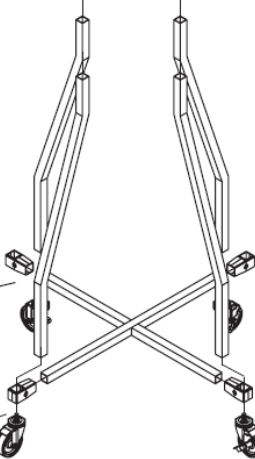
### ROUND RACK

Step 3: Install top risers.



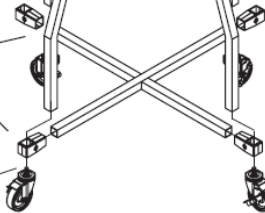
Step 4: Place topper (metal or glass) on top of risers.

Step 2: Attach round ring to legs of the frame.



Step 1: Build base frame and attach casters.

ATTACH  
CASTERS



COMPLETED  
FIXTURE

