

# BURNSIDE

## ASSEMBLY INSTRUCTIONS

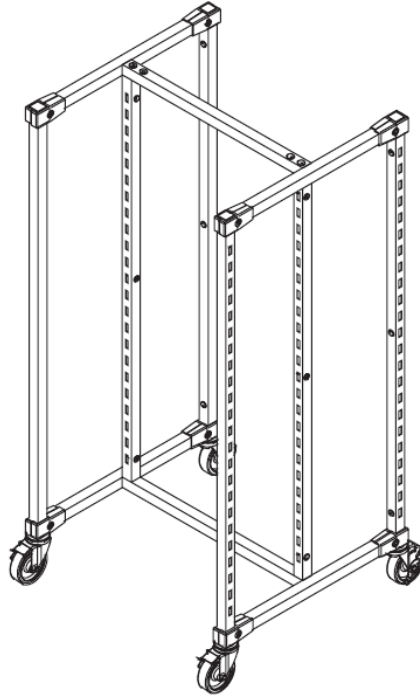
### GONDOLA // 292-GOND24

Made of 1 $\frac{1}{4}$ " square tubing in Metallic Silver finish

4" steel/rubber casters (2 locking)

Use with optional 47 $\frac{3}{4}$ " x 20" Perforated Metal or Frosted Acrylic Back Panels available and sold separately

27 $\frac{3}{4}$ "W x 24 $\frac{1}{2}$ "D x 57.15"H



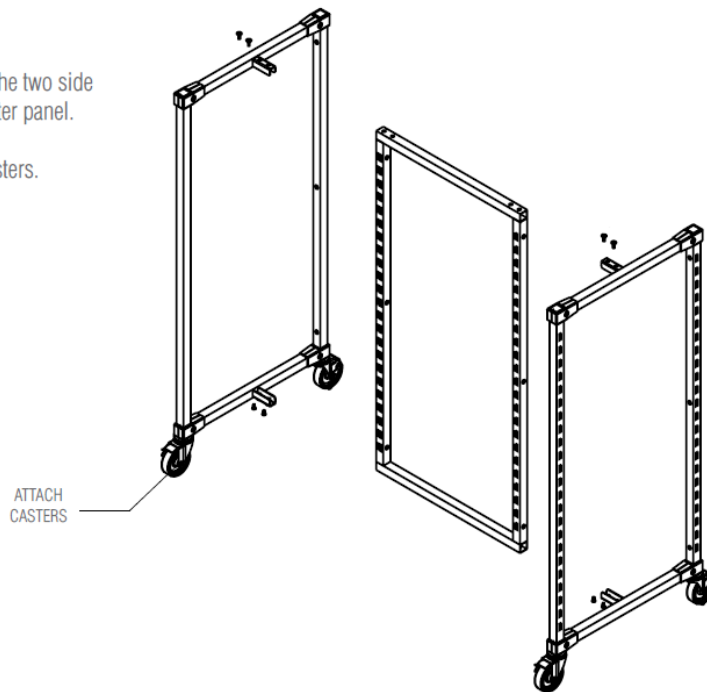
## BURNSIDE

### ASSEMBLY INSTRUCTIONS

### 24" GONDOLA

Step 1: Connect the two side frames to the center panel.

Step 2: Attach casters.



COMPLETED  
FIXTURE

