

Ice Caddies

Slant Top

100 lb. (45,5 Kg.) Capacity

Models ICS100L, ICS100L4S



Features & Benefits

- Stands just 28³/₄" (73 cm) high. Fits perfectly under standard height prep tables, counter tops, beverage banquet tables and under the connecting bridge of the CamKiosk® System. Merchandises well with Cambars®.
 - Double-wall, high-density, polyethylene construction is impact resistant and will not dent, crack, bubble, chip or break. Cleans easily.
 - Thick polyurethane foam insulation keeps ice frozen for days! Reduces frequency of restocking, ensuring quick and convenient service.
 - Unique slant top lid slides up and back into the secured lid for easy access to ice.
 - Holds up to 100 lbs. (45,5 kg.) of ice.
 - Four sturdy thumbscrews secure top tightly during transport and when sliding top back.
 - Durable, nylon front latch secures lid in place during transportation and protects contents when ice caddy is not in use. Ensures excellent temperature holding performance. Will not rust.
 - NSF listed, no-drip, recessed, threaded faucet with standard hose hook up makes draining and cleaning quick and convenient.
 - Includes one unbreakable polycarbonate drain shelf for instant water drainage so that ice lasts longer.
 - Molded-in side grips are sturdy and will not break off. Provides controlled handling and maneuvering.
 - Lift grips on front and back offer comfortable lifting on or off transport vehicles.
 - Four 5" (12,7 cm) casters for smooth maneuvering poolside, across campus or over banquet floors. Front swivel casters have locking brakes.
- Model ICS100L** - 2 fixed, 2 swivel w/ brake.
- Model ICS100L4S** - 4 swivel, 2 w/ brakes.
- No assembly required.
 - Available in 7 colors.

Item No. _____

Specifier Identification No. _____

Model No. _____

Quantity _____



ICS100L



ICS100L4S

ICS100L

Approvals

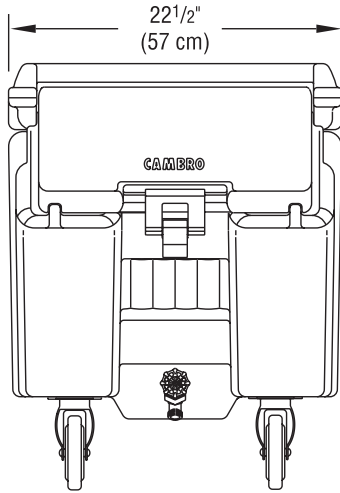


Ice Caddies

Slant Top

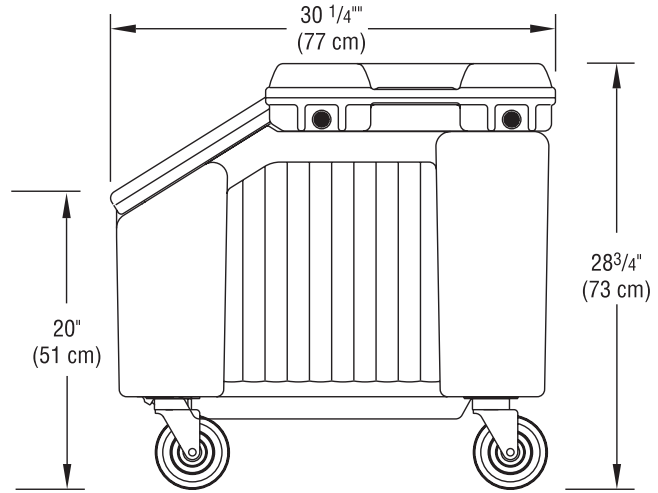
100 lb. (45,5 Kg.) Capacity

Models ICS100L, ICS100L4S



Width

ICS100L & ICS100L4S



UPC1200

Specifications

Dimension Tolerance: +/- 1/4" (0,64 cm)

Code	Description	Interior Dimensions W x D x H	Exterior Dimensions W x D x H	Case lbs./cube Kg/m ³
ICS100L	Slant Top Ice Caddy	15 1/2" x 23 7/8" x 12 5/8-17 5/8" (39 x 61 x 30 - 45 cm)	22 1/2" x 30 1/4" x 28 3/4" (57 x 77 x 73 cm)	53 (11,10) 24 (0,3)
ICS100L4S	Slant Top Ice Caddy	15 1/2" x 23 7/8" x 12 5/8-17 5/8" (39 x 61 x 30 - 45 cm)	22 1/2" x 30 1/4" x 28 3/4" (57 x 77 x 73 cm)	53 (11,10) 24 (0,3)

Architect Specs

The Slant Top 100 lb. (45,5 Kg.) capacity Ice Caddy shall be a Cambro Model....., manufactured by Cambro Mfg. Co., Huntington Beach, CA 92647. It shall be constructed of double-wall, high-density polyethylene and thick foam injected polyurethane. It shall have rounded corners and molded-in side grips. It shall have 4 sturdy thumbscrews to secure top lid tightly in place for safe transporting. It shall have a front nylon latch. It shall be 28 3/4" (73 cm) high. It shall have a NSF listed, no-drip, recessed, threaded faucet with standard hose hook up. It shall include one polycarbonate interior drain shelf. It shall be available with 4 each 5" (12,7 cm) wheels and 2 locking front brakes. It shall not require any assembly and shall be available in 7 colors.

Standard Colors

- Black (110)
- Dark Brown (131)
- Slate Blue (401)
- Gray (180)
- Granite Green (192)
- Coffee Beige (157)
- Granite Gray (191)

Approvals



CAMBRO

© Cambro Manufacturing Company 5801 Skylab Road, Huntington Beach, CA 92647-2056, U.S.A.
 Telephone 714 848 1555 Toll Free 800 854 7631 Customer Service Department 800 833 3003
 LIT FCST-0102-60

Web www.cambro.com