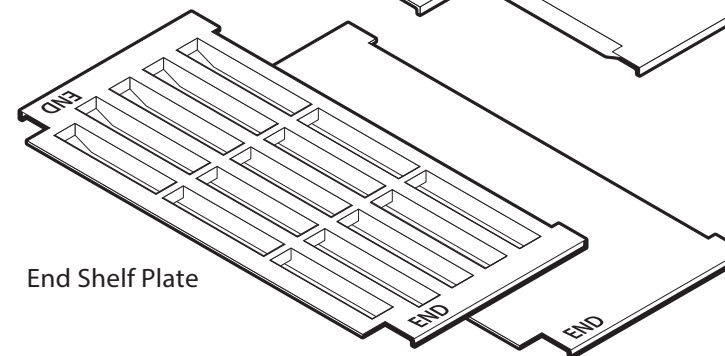
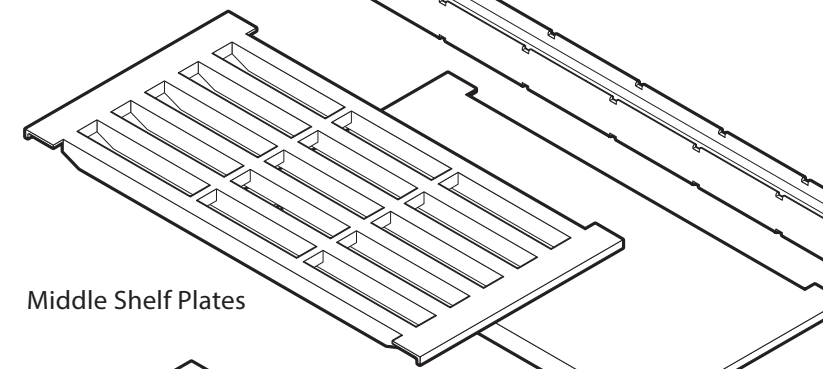
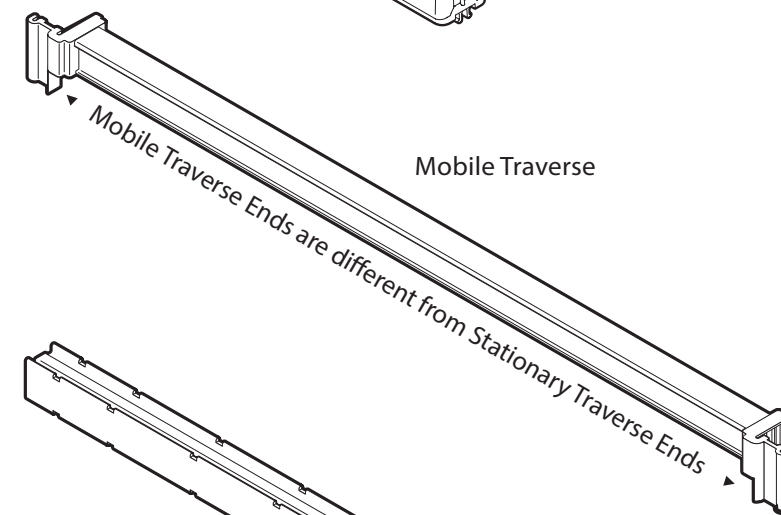
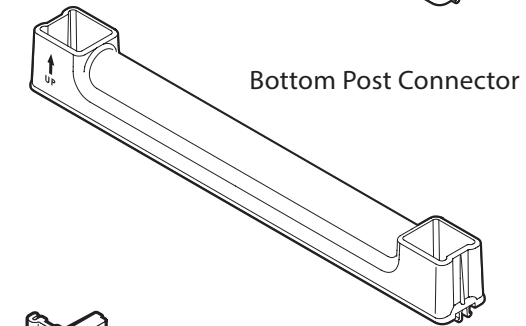
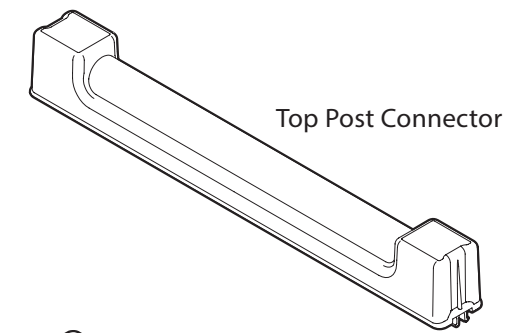
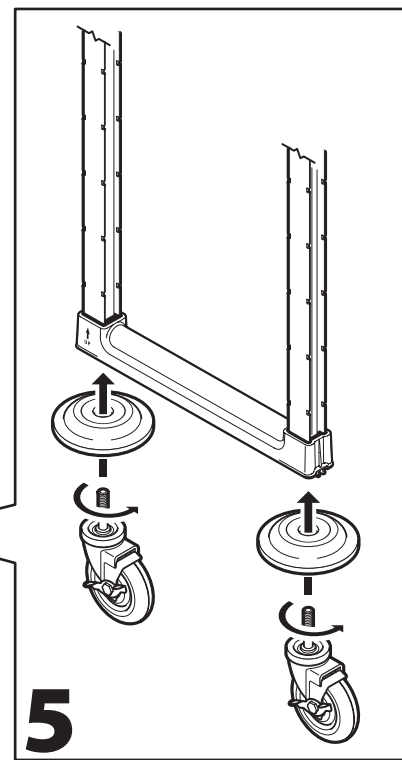
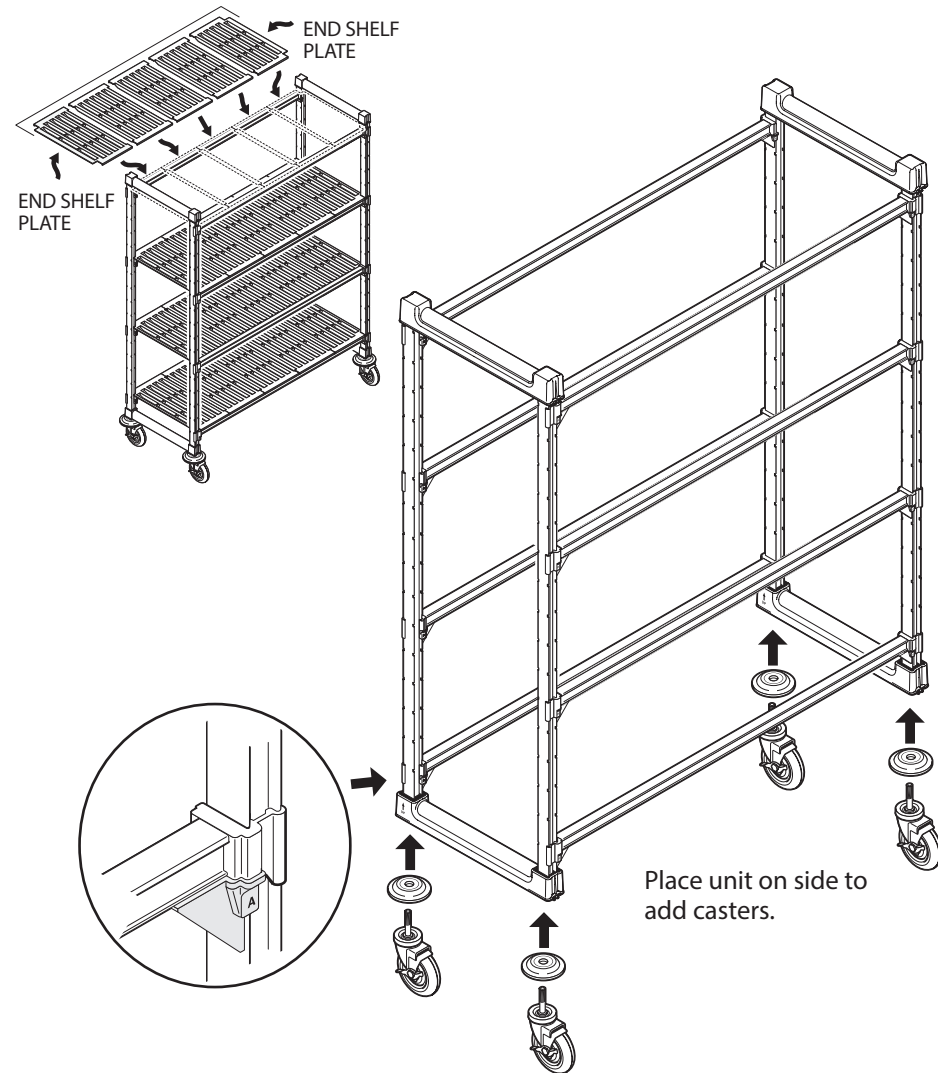
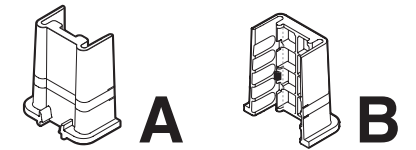


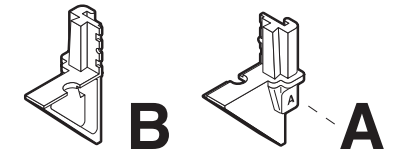
Camshelving® Elements Series Mobile



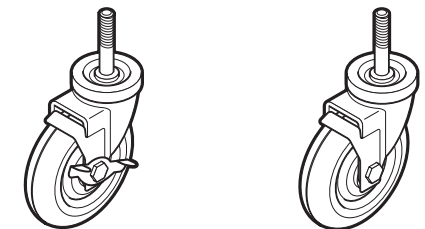
Post Connector Collar Wedges



Mobile Traverse Dovetails

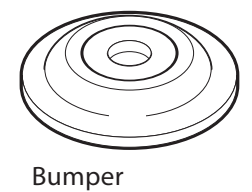


Swivel Caster with Brake



Swivel Caster No Brake

OPTIONAL ACCESSORY



TOOLS REQUIRED



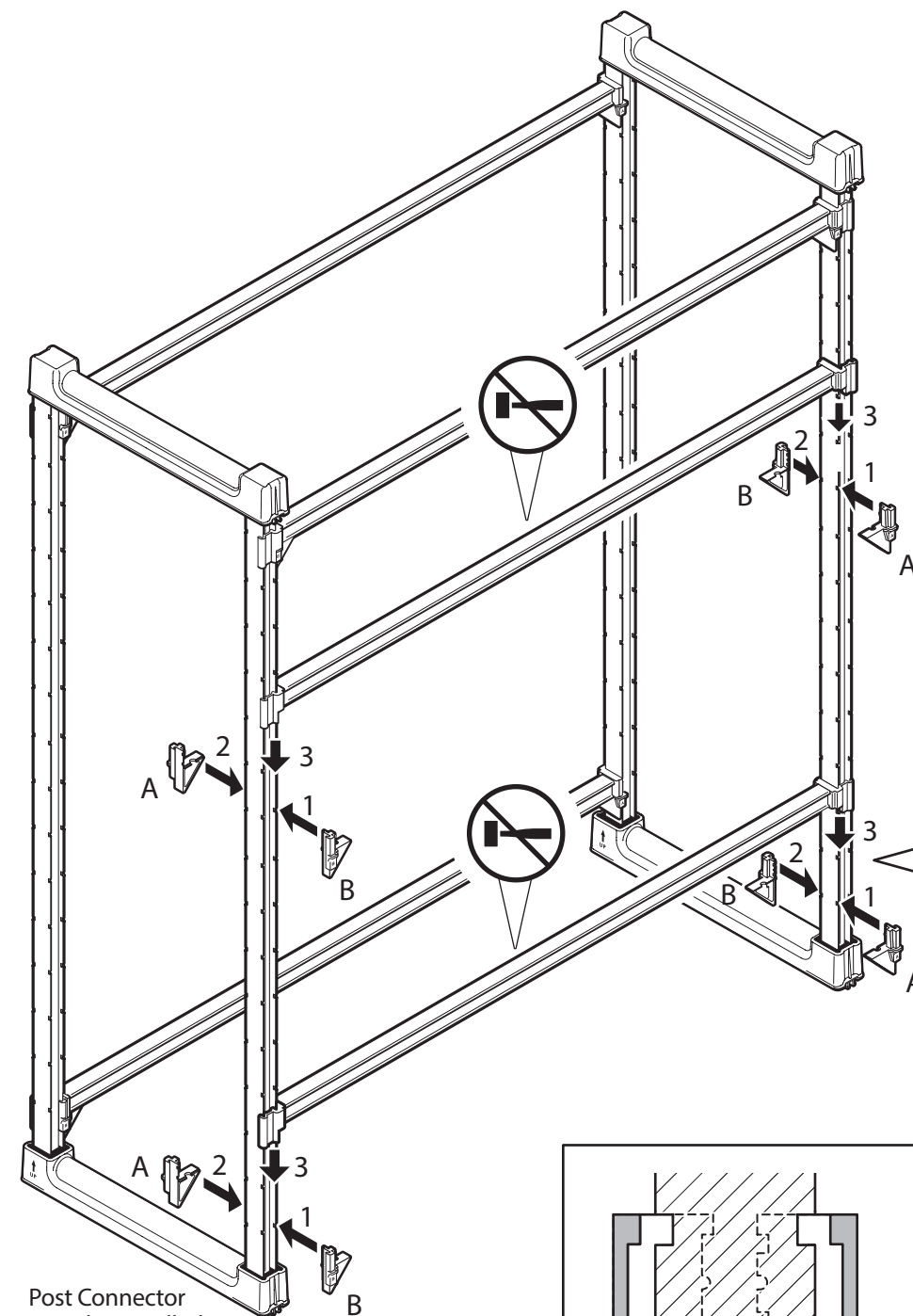
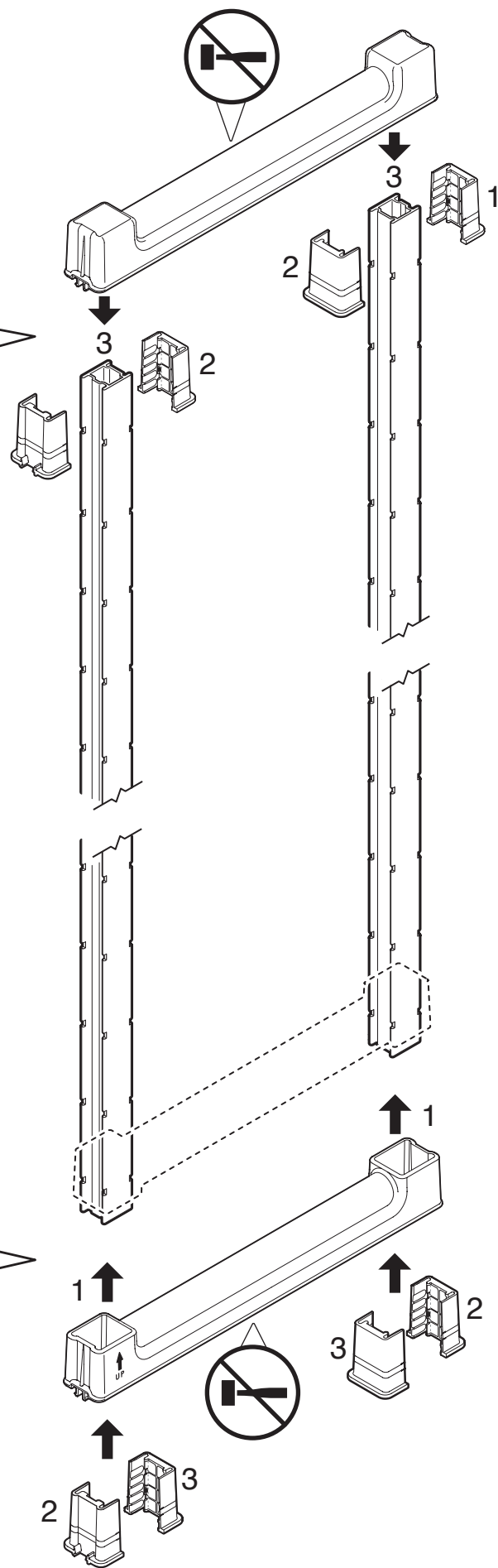
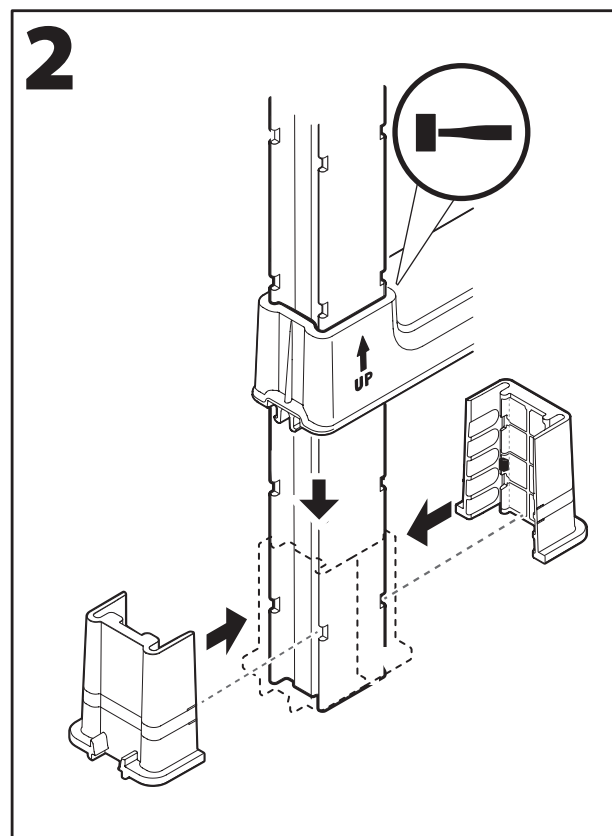
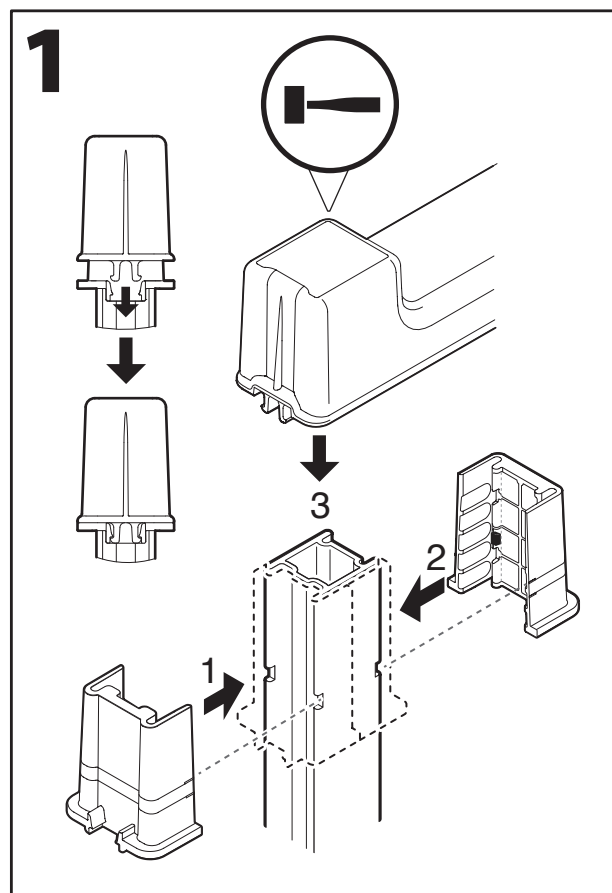
Rubber Mallet Only



NSF COMPONENTS



Do Not Use hammer



Post Connector
must be installed
on 1st notch
from bottom.

