



## AIRPOT DIGITAL COFFEE BREWING SYSTEMS

MODEL: D500GT, D500GTH



### The Curtis G3 Airpot System PLUS your gourmet roast provides luxurious flavor with brewing simplicity... every time.

With the Curtis G3 Coffee Brewing System there's no need for complex brewing adjustments, unless you want them. With simple "scroll-through" programming on an oversized LCD display you can effortlessly offer customers gourmet taste, without any fuss. Easily set the brewer to your exacting standards, or use the Curtis' factory settings to deliver ideal results.

When you add it up, the Curtis G3 Systems offer a host of features that optimize coffee quality and flavor, while reducing maintenance and service. G3 features include...digital temperature and brew-by-volume control, pre-infusion and pulse brew technology, PM alerts, cold water brew lock-out, quality timers, and much more. From traditional to gourmet roasts, this equals a great cup of coffee, and increased profits. That's the bottom line.

ITEM NO

PROJECT

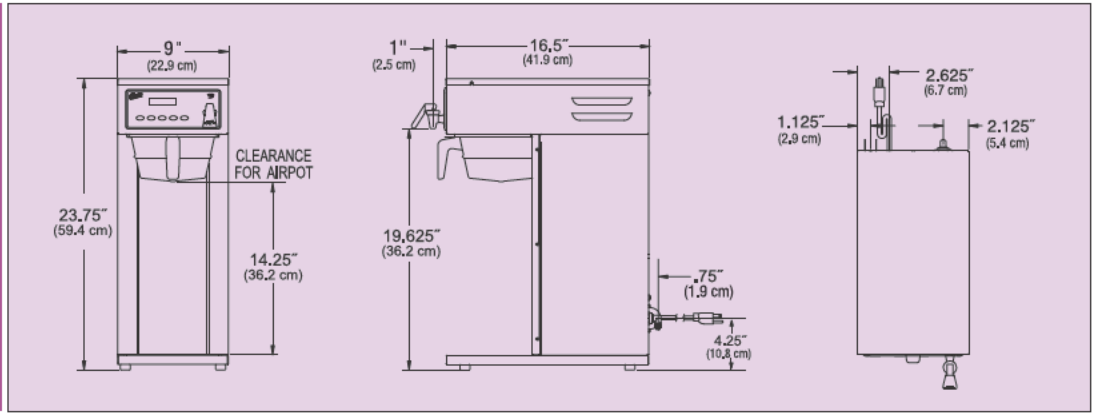
DATE

### FEATURES AT A GLANCE

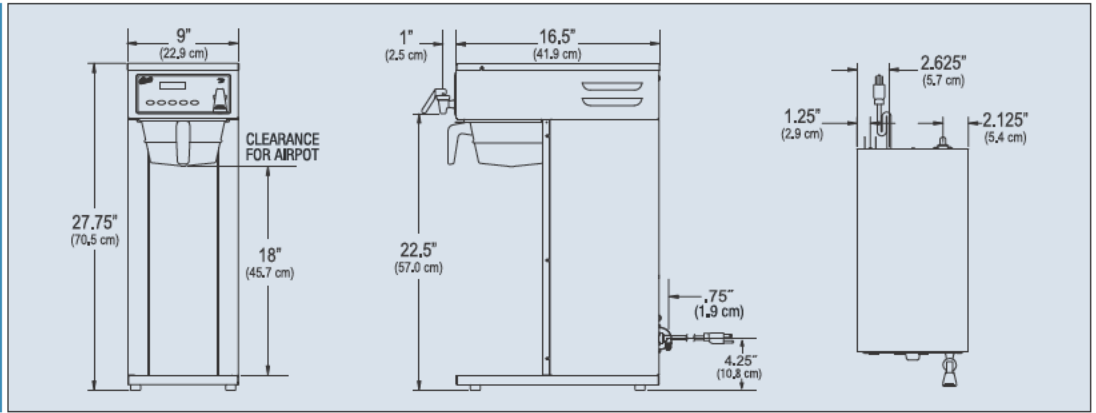
- **Precise "gourmet" control over all critical functions** — The G3 Digital Control Module provides you the expertise to brew premium gourmet coffee with ease.
- **Built-In Fine Tuning Brewing Modes** — Pre-infusion or pulse brew enhances extraction of gourmet coffee flavor. Cold water brew lock-out prevents brewing when water temperature is below set level.
- **Curtis' Exclusive G3 3-Year Warranty** — Provides 3 full years of protection on the digital control components.
- **Out-of-the-Box Operation** — Pre-programmed factory settings deliver ideal results.
- **Reliability you can depend on.** The Digital Control Module is encapsulated in high-tech polymer and is impervious to heat, steam and moisture.
- **Intuitive Scroll-Through Precision Programming** — Large, brightly lighted display communicates functions at a glance. Easily adjust time, volume, temperature, brew functions and more.
- **Tamper Resistant** — Changeable access code prevents unauthorized adjustment.
- **Easy-to-Use** — Simple graphic design with color-coded buttons for all operating functions.
- **Saves Operating Costs** — Energy save mode automatically reduces energy consumption when brewer is idle.
- **Reduce Downtime** — G3 on-board self-diagnostics continually sense proper brewing operation. A Service Phone Number and error code will be displayed in the rare event technical assistance is required.
- **Programmable Display Banner** — Can be set to display your operation's name and message.
- **Quick and Simple Installation** — Standard 120VAC Operation.
- **ThermoPro™ Airpots Keep Coffee Quality at its Peak of Freshness** — High heat retention design maintains temperature without additional warming.

**G3**  
**GENERATION**  
**THREE**

# D500GT



# D500GTH (Tall Model)



SPECIFICATIONS	D500GT*	D500GT (Dual Voltage)*	D500GTH (Tall Model)*
Brewing Heads	1	1	1
Finished Brew Capacity	2.2L (74 oz.)	2.2L (74 oz.)	2.2L (74 oz.)
Dimensions (HxWxD)	23.75" x 9" x 16.5"	23.75" x 9" x 16.5"	27.75" x 9" x 16.5"
Clearance for Airpot	14.75"	14.75"	18"
Electrical (Other voltage available. Contact Factory)	120VAC/60Hz	120/220VAC/60Hz	120VAC/60Hz
Power Requirements	1700W/14A	1700W/14A 3300W/15A	1700W/14A
Cord & Plug	6 ft./NEMA 5-15P	6 ft./NEMA 5-15P	6 ft./NEMA 5-15P
Water Inlet**	1/4" Flare	1/4" Flare	1/4" Flare
Shipping Weight (lbs.)	34	34	36
Cube (cu. ft.)	4.1	4.1	4.6

\*ThermoPro Airpots NOT included. \*\*Water Filtration Device Recommended.



ThermoPro™ TLXA 2.2L Airpots.  
(Sold separately)



Standard and Large Gourmet Brew Cone for extra large throws.



## WILBUR CURTIS COMPANY, INC.

6913 Acco Street, Montebello, CA 90640-5403

Telephone: 800-421-6150 · 323-837-2300

Fax: 323-837-2406

www.wilburcurtis.com

