



G3 DIGITAL HIGH VOLUME COMBO BREWING SYSTEM

MODEL: CBHS & CBHT



CBHT shown with one 3.5 gallon TCN Iced Tea Dispenser (left) and one 1.5 gallon TXSG15 (right)

The Curtis Digital High Volume Combo Brew. Your single, simple brewing solution for flavorful iced tea and gourmet coffee!

Now you can brew delicious iced tea AND rich, robust coffee from the same precision system. With a simple change of brew cone and coffee serving vessel, the new Curtis G3 ComboBrew provides a perfectly brewed coffee. At the center of the ComboBrew is Curtis' exclusive G3 Universal Control Module. This sophisticated digital "brain" provides precision control over the entire brewing and operating process. Its pre-programmed factory settings deliver ideal results right out of the carton. Simply add bulk tea leaves, flowthru filter packs or ground coffee, then press the clearly marked brew button for gallons of cool, flavorful iced tea or rich coffee in just minutes.

With the Curtis ComboBrew, gourmet coffee brewing is not an afterthought...the system has been engineered to provide the same brewing features as our G3 Airpot system.

ITEM NO

PROJECT

DATE

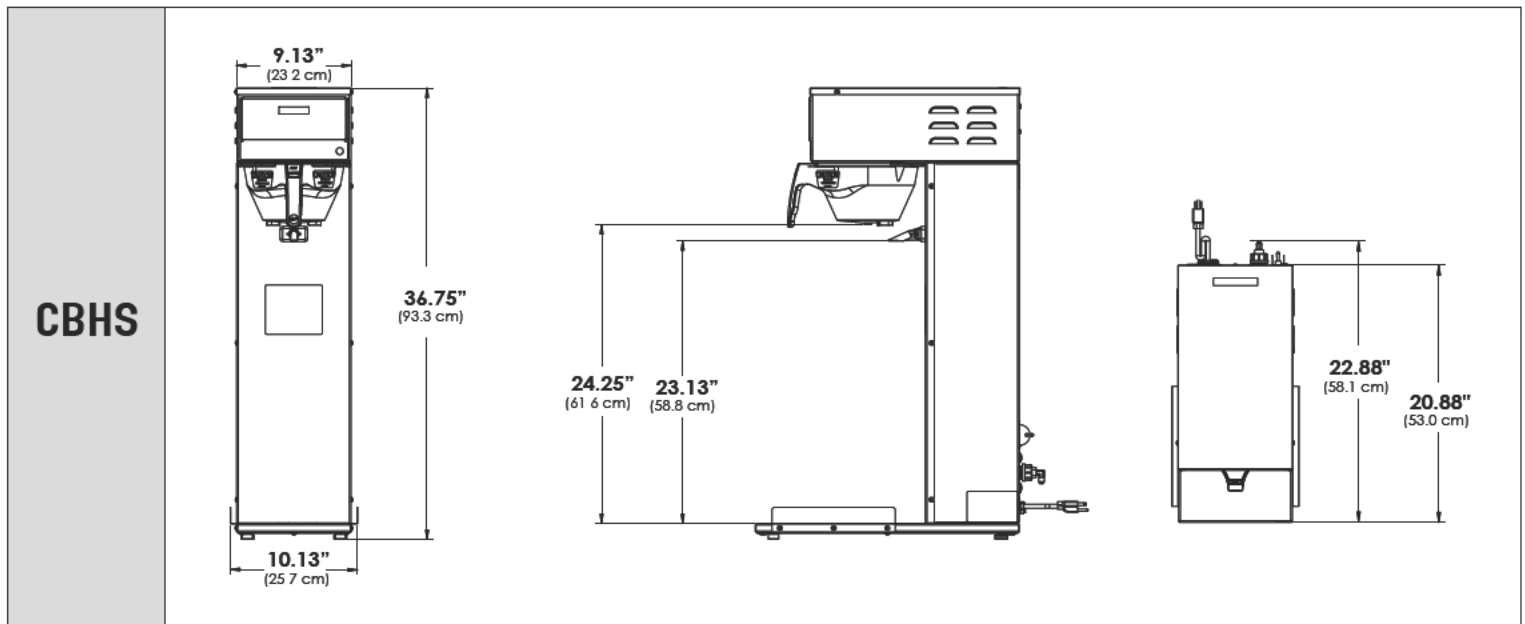
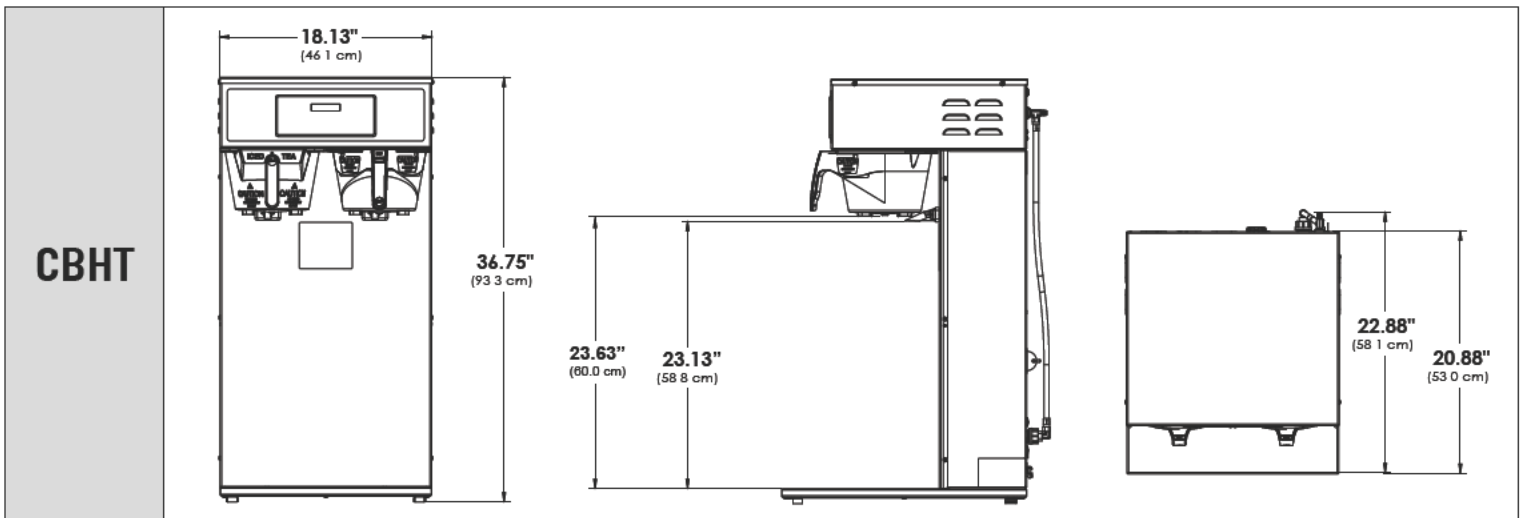
FEATURES AT A GLANCE

- **Multiple Beverage Options** – Designed to brew up to 1.5 gallons of coffee or up to 4 gallons of iced tea or iced coffee within seconds.
- **New! Iced Coffee Feature** – Easily brew delicious iced coffee using the iced coffee brew basket WC-3422IC and a TCNC iced coffee dispenser.
- **Precision Programming** – Easily program individual buttons for time, volume, temperature and many other brewing features on large digital display.
- **Multi-Batch Options** – 3 coffee and 2 tea buttons for selectable batch size and differing beverage profiles (6 coffee and 4 tea buttons on twin model).
- **Power Requirement Versatility** – Multiple power options available from 120V to 240V and 1650W to 7600W, single and three phase.
- **Single (CBHS) and twin (CBHT) Models** – Twin model will brew tea on both sides individually or simultaneously (or a combo of tea and coffee).
- **G3 Digital Control Module (G3 Technology)** – Offers full brewing programmability with unsurpassed reliability. Allows for gourmet fine-tuning with Pulse-Brewing, Pre-Infusion, Fast-Brew, Multi-Batch and other G3 standard features.
- **Lime-resistant design.** Curtis' Advanced Flow Sprayhead (AFS) has a patented design and material construction that reduces lime and scale build up.

CBHS shown with a 3.5 gallon TCN Iced Tea Dispenser (left) and TXSG15 1.5 gallon Coffee Server (right)



G3
GENERATION
THREE



SPECIFICATIONS											
MODEL #	DIMENSIONS (H x W x D)	VOLTAGE	AMPS	WATTS	WIRE	HERTZ	WATER CONNECTION	GAL/HR	WATER TANK VOLUME	SHIP WEIGHT (LBS.)	CUBE (CU. FT.)
CBHT	36.75" x 18.13" x 22.88"	220V	23.0/34.0A	5100/7500W	3 W+G	50/60 Hz	1/4" Flare	21	5.2 gallons	90	8.6
CBHS Dual Voltage	36.75" x 10.13" x 22.88"	120/220V	15.0/12.7A	1800/2800W	2/3 W+G	50/60 Hz	1/4" Flare	12	3 gallons	43	5.5

SPECIFICATIONS SUBJECT TO CHANGE WITHOUT NOTICE.



WILBUR CURTIS COMPANY, INC.
 6913 Acco Street, Montebello, CA 90640-5403
 Telephone: 800-421-6150 · 323-837-2300
 Fax: 323-837-2406
 www.wilburcurtis.com



PENDING

JUNE/2014 - F-3770 rev. F