



G3 DIGITAL ICED TEA BREWING SYSTEMS

MODEL: TBP, TB, STB, TBT, RTB



TBP
Polaris Low Profile Brewer
(Dispenser included)



TB/STB
Tea Brewer/Sweet Tea Brewer
(Dispenser sold separately)



TBT
Tall Tea Brewer
(Dispenser sold separately)



RTB
Rotating Brew Basket Tea Brewer
(Dispensers sold separately)

FEATURES AT A GLANCE

- **G3 Digital Control Module** – Provides precise control for gourmet fine tuning with pulse-brewing, delay, and all critical brewing functions
- **G3 Enhanced Tea Flavor and Clarity** – With digital accuracy, two separate precision valves provide unsurpassed control over concentrate brewing and dilution cycles
- **“Fast Brew” Option** – Program selectable. Shortens brew time by allowing concentrate and dilution cycles to run at the same time
- **Scroll-Through Precision Programming** – Large, brightly lighted display communicates functions at a glance. Easily adjust time, volume, temperature, brew functions and more
- **On-Board Self Diagnostics** – G3 continually senses proper brewing operation. A service phone number and error code will be displayed in the rare event technical assistance is required...reducing downtime
- **Cold Water Brew Lock-Out** – Prevents brewing when water temperature is below set level
- **Standard 120VAC Operation** – Makes installation quick and simple

STB FEATURES

- Complete with electric pump. Program selectable for regular or sweet tea

RTB FEATURES



Easily brew multiple teas from one brewer. Dual dilution spouts and rotating brew cone allows for brewing two teas without moving serving vessels.

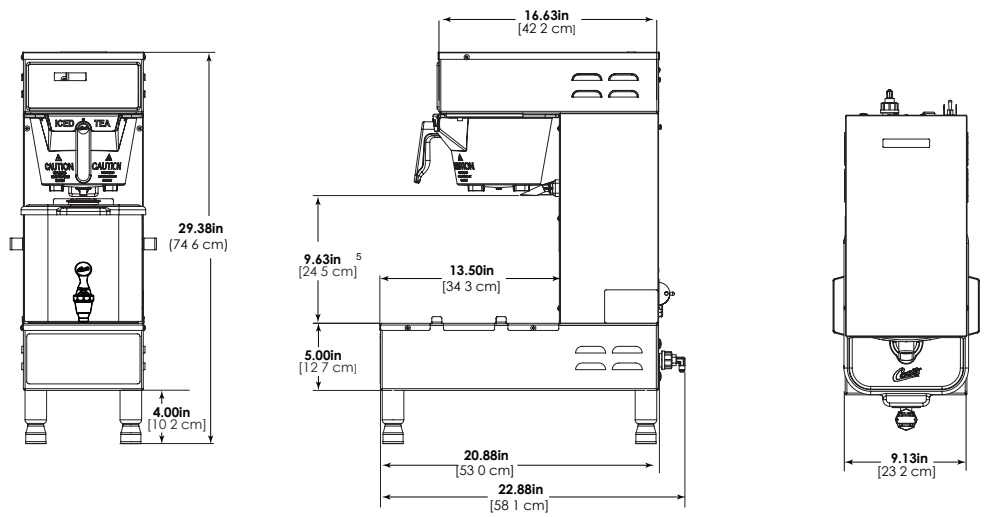


Incredible Tea Flavor, Simple Operation, Reduced Maintenance.

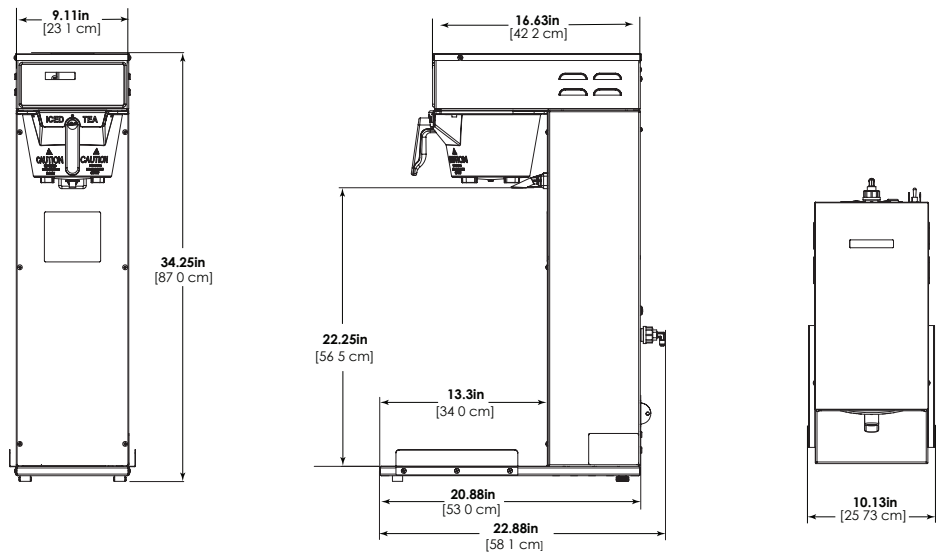
At the center of the Curtis G3 Tea Brewing Systems is its unique Universal Control Module. The G3's oversized LCD display and simple interface makes "scroll-through" programming incredibly easy. Of course, there's no need to adjust the system, as Curtis' pre-programmed factory settings deliver ideal results right out of the carton. Simply add bulk leaves or flow-thru filter packs and press the brew button for gallons of flavorful iced tea in just minutes.

Curtis G3 Systems include a host of new features designed to optimize tea quality including...digital temperature and brew-by-volume control, PM alerts, cold water brew lock-out, and much more. The result is perfect tea flavor and clarity, which keeps customers – and profits – returning.

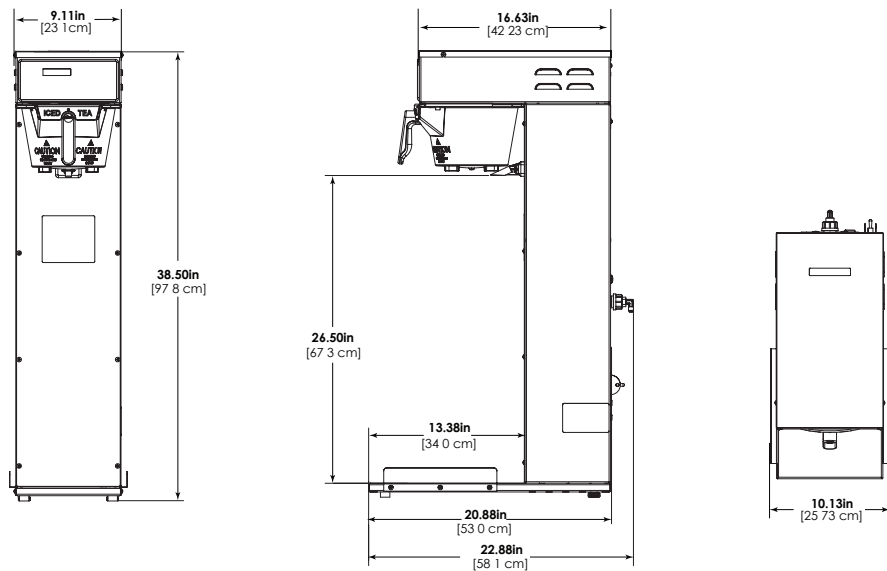
TBP
Polaris Low
Profile Brewer



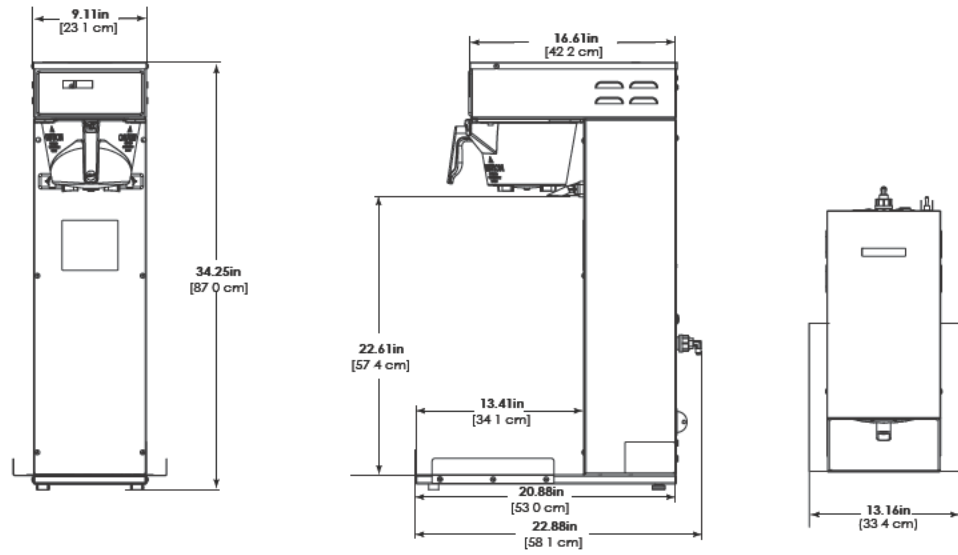
TB/STB
Tea Brewer/
Sweet Tea Brewer



TBT
Tall Tea Brewer



RTB
Rotating Brew Basket
Tea Brewer



Electrical Supply Requirements

MODEL #	PHASE	VOLTS	AMPS	HEATING CONFIG	WIRE	WATTS	HERTZ	GAL/HR
TBP	1 PH	120V	13.8A	1X1600W	2W+G	1650W	50/60 Hz	12.0
TB	1 PH	120V	13.8A	1X1600W	2W+G	1650W	50/60 Hz	12.0
STB	1 PH	120V	13.8A	1X1600W	2W+G	1650W	50/60 Hz	12.0
TBT	1 PH	120V	13.8A	1X1600W	2W+G	1650W	50/60 Hz	12.0
RTB	1 PH	120V	13.8A	1X1600W	2W+G	1650W	50/60 Hz	12.0

Dimensions

MODEL #	HEIGHT	WIDTH	DEPTH	SHIP WEIGHT	SHIP CUBE
TBP	29.38"	9.13"	22.88"	46.0 lbs.	7.5 cu. ft.
TB	34.25"	10.13"	22.88"	41.0 lbs.	9.1 cu. ft.
STB	34.25"	10.13"	22.88"	48.0 lbs.	9.1 cu. ft.
TBT	38.50"	10.13"	22.88"	43.0 lbs.	9.7 cu. ft.
RTB	34.25"	13.16"	20.88"	41.0 lbs.	8.9 cu. ft.

Water Supply Requirements

WATER CONNECT	WATER PRESSURE	MIN. FLOW RATE	WATER TANK VOL.
1/4" Flare	20 - 90 psi	1.0 GPM	1.6 Gal.

SPECIFICATIONS SUBJECT TO CHANGE WITHOUT NOTICE



WILBUR CURTIS CO., INC.
6913 Acco Street, Montebello, CA 90640-5403
Telephone: 800-421-6150 · 323-837-2300
Fax: 323-837-2406
www.wilburcurtis.com