



# ILGD GRINDER – CLEANING INSTRUCTIONS



## Cleaning the Digital InterLock coffee grinder....

A daily routine of cleaning the ILGD coffee coffee grinder will maintain the appearance of the unit and ensure great tasting coffee.

**CAUTION** – Do not use cleansers, bleach liquids, powders or any other substance containing chlorine. These products promote corrosion and will pit the stainless steel. USE OF THESE PRODUCTS WILL VOID THE WARRANTY.

### CLEAN THE CABINET

1. Unplug the unit from the power outlet.
2. Brush off the exterior surfaces, removing loose debris or coffee grounds from the grinder.
3. The outside case of the grinder may be wiped down with a damp cloth or cleaned with stainless steel polish.
4. With a clean soft cloth, wipe dry all exterior surfaces of the unit to keep water from spotting the cabinet.

**NOTE** - Polish stainless steel surfaces with stainless steel polish after drying. This will prevent surface scratches and result in a cleaner appearance.

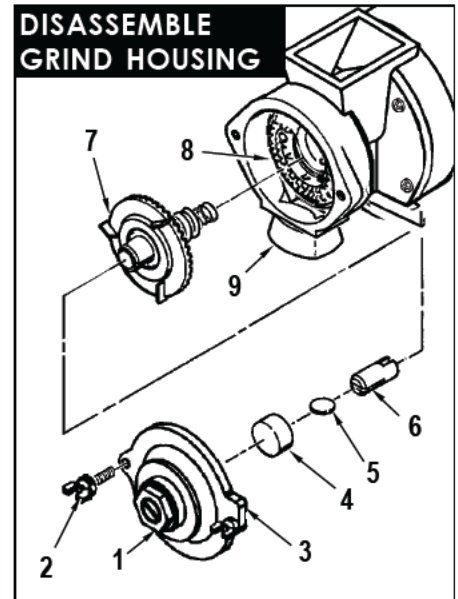
### CLEAN THE HOPPER

1. Turn off the unit button on the front control panel.
2. Clean the hopper with a damp cloth. Do not allow water to enter the grinder housing.

### CLEAN THE GRIND HOUSING

Refer to the steps below, to open the housing. Make sure power is disconnected before removing panels from the cabinet.

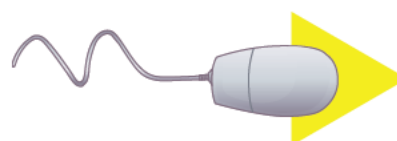
1. Empty hopper of beans. Run the grinder to clear the housing of beans.
2. Open the front outside cover of the grinder to locate grind cap.
3. Remove the grind cap by unscrewing the two thumb screws (refer to item 2, see illustration).
4. Pull out the burr/feed worm assembly (7) with the shear drive components.



5. Using a stiff bristled brush, clean out any coffee grounds left in the housing.
6. Assemble the parts. Align the wide slot on the shear drive with the matching flat surfaces at the end of the motor shaft. When aligned, push the feedworm assembly into the motor housing. If properly aligned, it should go in easily.
7. Cover the end of the housing with the grind cap and attach with the two thumb screws.
8. Close the front cover and plug unit into power outlet.

### WILBUR CURTIS COMPANY, INC.

6913 Acco Street, Montebello, CA 90640-5403  
Telephone: 800-421-6150 323-837-2300  
Fax: 323-837-2406



find the latest on the web at  
[www.wilburcurtis.com](http://www.wilburcurtis.com)