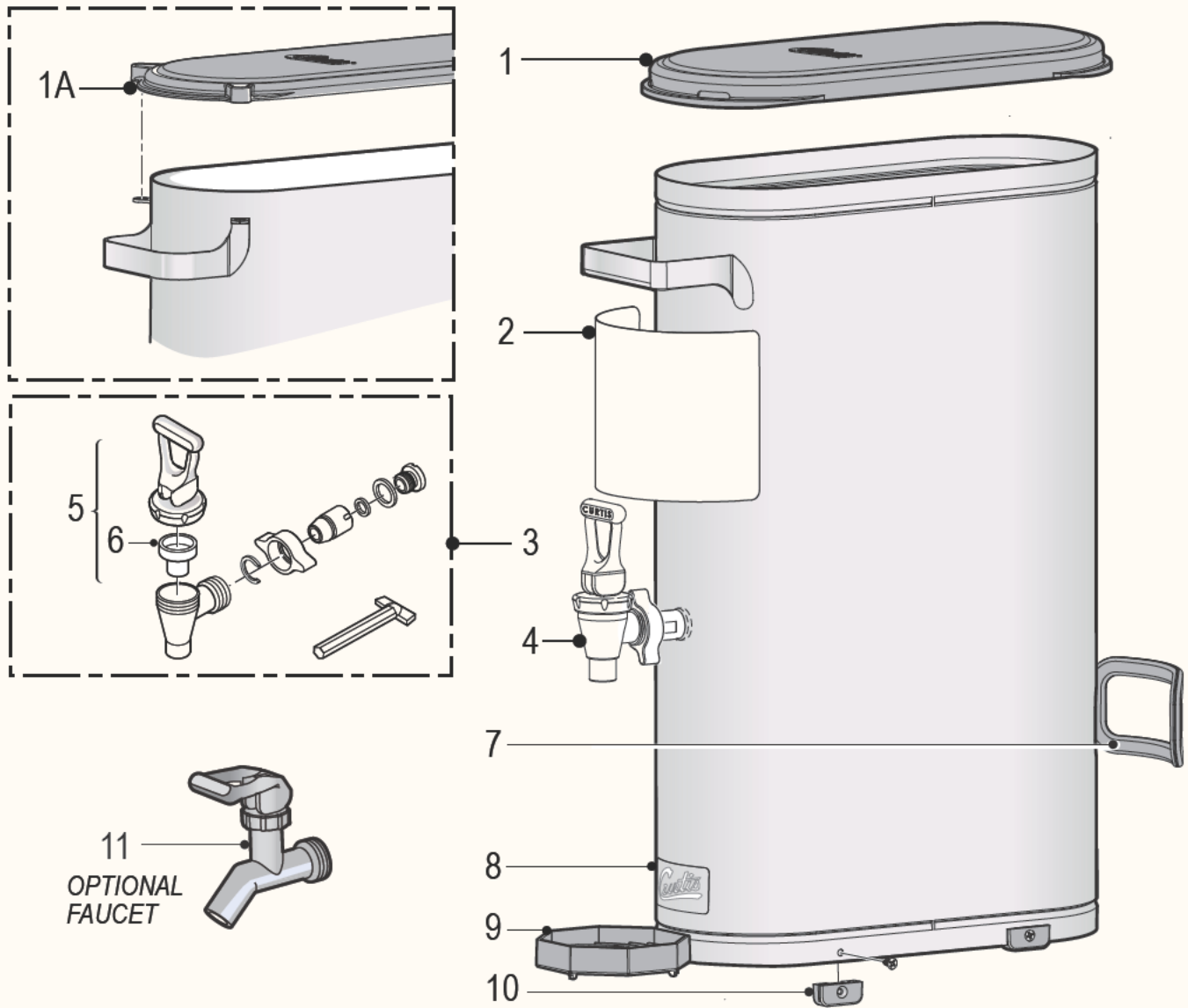




Instructions and Parts List – TCN



ITEM	PART N°	DESCRIPTION	ITEM	PART N°	DESCRIPTION
1	WC-56036	LID, PLASTIC TCN	6	WC-1805	SEAT CUP, FAUCET S'
1A	WC-61436	LID, BLACK PLASTIC (OLD)	7	WC-3289	HANDLE, GASKET
2	WC-38471	LABEL, FRONT TCN GENERIC	8	WC-38163	LABEL, CURTIS SWP CLR/WHT
3	WC-37260	KIT, FAUCET W/ADAPTER CMPLT	9	WC-5686	DRIP TRAY, OCTAGON STYLE
4	WC-1803	FAUCET, SPB	10	WC-3531	LEG, PLASTIC GLIDE TCN
5	WC-3707	KIT, REPAIR SPB FAUCET	11	WC-1840	FAUCET, PINCH TUBE TC

WILBUR CURTIS COMPANY, INC.
 6913 Acco Street, Montebello, CA 90640-5403
 Telephone: 800-421-6150 323-837-2300
 Fax: 323-837-2406



find the latest on the web at
www.wilburcurtis.com

DAILY CLEANING

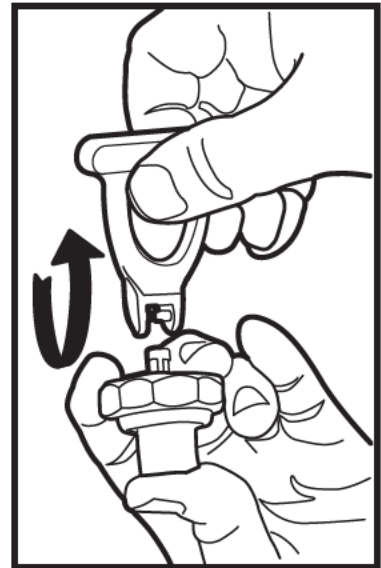


Before brewing into the tea container, wash the inside with a mild solution of dish soap and water. Rinse with clear water. Open the faucet, draining any remaining rinse water.

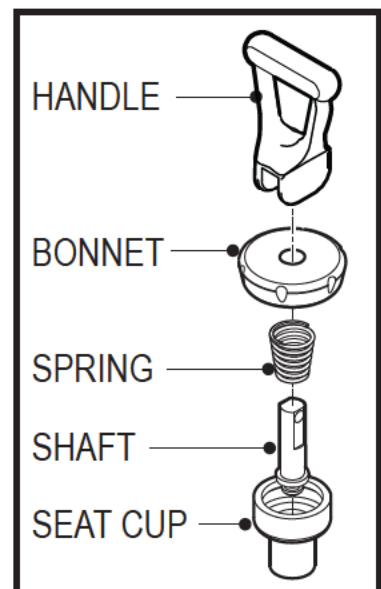
1. Wipe any spills, dust or debris from the exterior surfaces with a damp cloth.
2. Wash the tea container.
 - A. Clean inside the container and top cover with a mild detergent solution.
 - B. Remove the faucet assembly by unscrewing the wing nut.
 - C. Unscrew the bonnet assembly from the faucet. Clean inside the faucet body. Run a circular brush through the spout and the back of the faucet.
 - D. Disassemble the bonnet/handle assembly by unhooking the handle from the shaft. Thoroughly clean these parts.*
 - E. Clean the shank assembly (still on the container) by pushing the through with a circular brush.
 - F. Dry the parts that were cleaned. When parts are dry, return them to the tea container.
3. After cleaning, the outside surfaces of the server should be wiped down with stainless steel polish to clean, polish and prevent scratches.

* While the handle parts are disassembled, check the condition of the seat cup. Replace it if you observe any tears or if the silicone has hardened.

The pinch tube style faucet will not have a seat cup; all other parts are similar.



Unlock the shaft from the handle. Compress the spring, pressing down on the bonnet then unhooking the handle.



Clean these faucet parts.