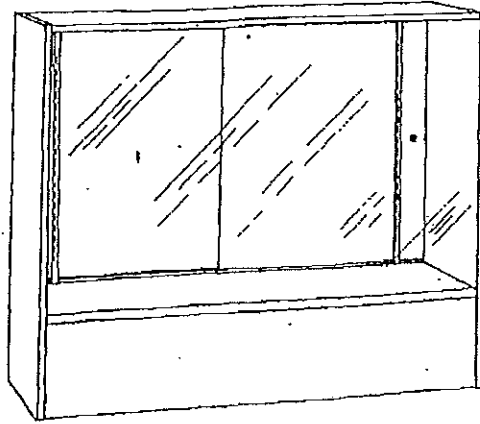
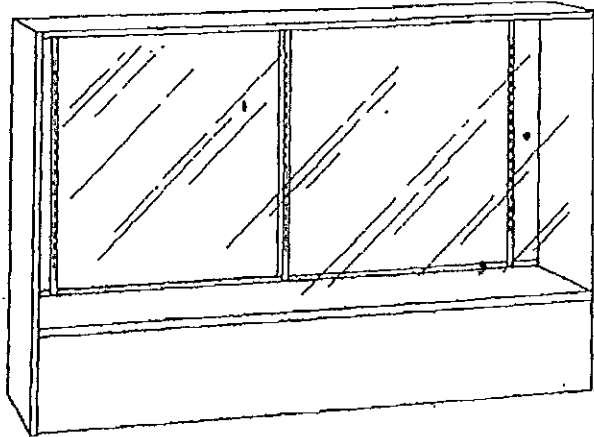


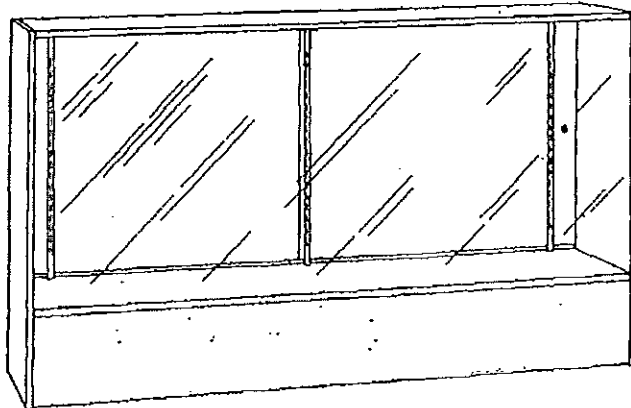
**4-FOOT SHOWCASE**



**5-FOOT SHOWCASE**



**6-FOOT SHOWCASE**



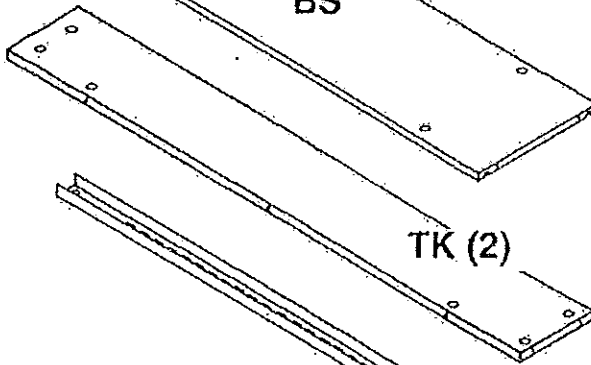
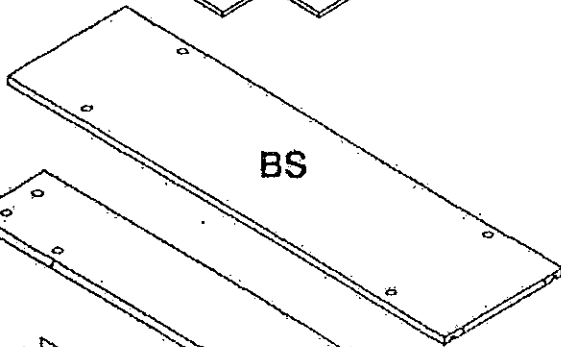
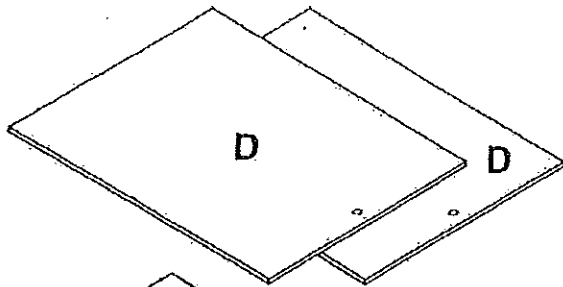
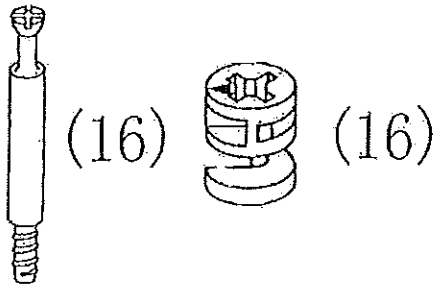
NOTE: It is recommended that two persons assemble this unit.

# **ASSEMBLY INSTRUCTIONS**

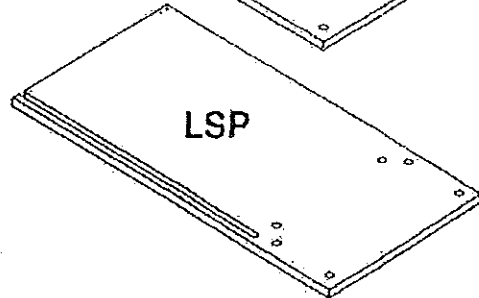
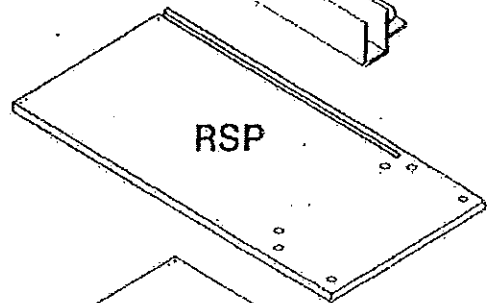
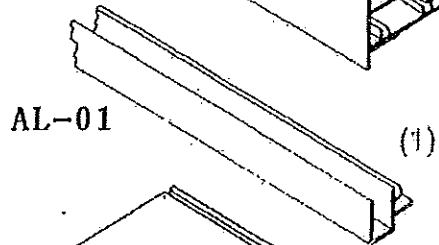
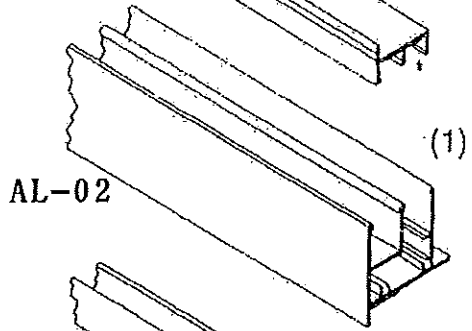
**THANK YOU FOR CHOOSING OUR SHOWCASE**

**PARTS LIST**

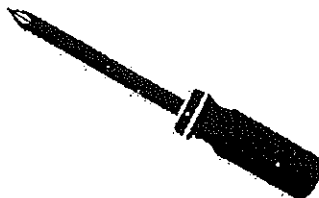
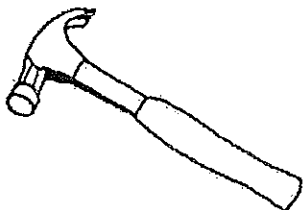
FELTS PLASTIC GASKET,  
ALUMINUM EXTRUSIONS,  
STANDARDS, BRACKETS  
AND SCREWS PACKED IN  
ONE CARTON



(2) For 4-ft. Showcase unit  
(3) For 5-ft. & 6-ft. Showcase unit

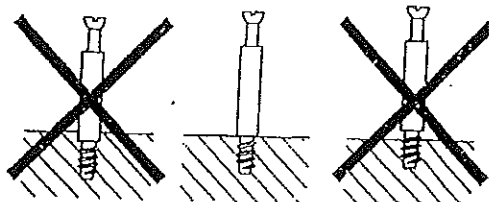
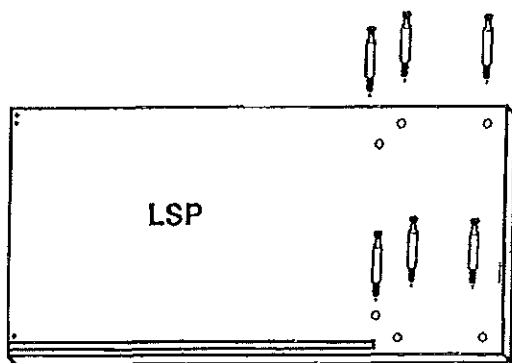
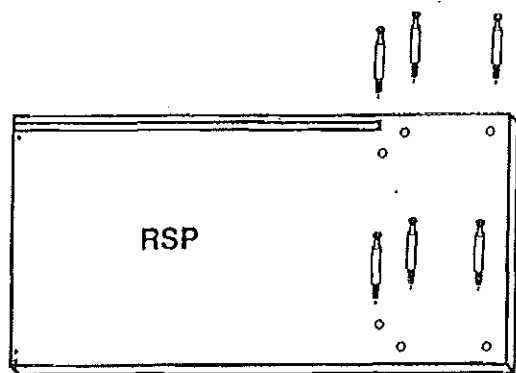


**TOOLS REQUIRED**

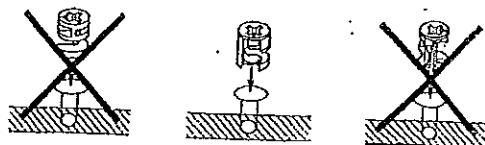
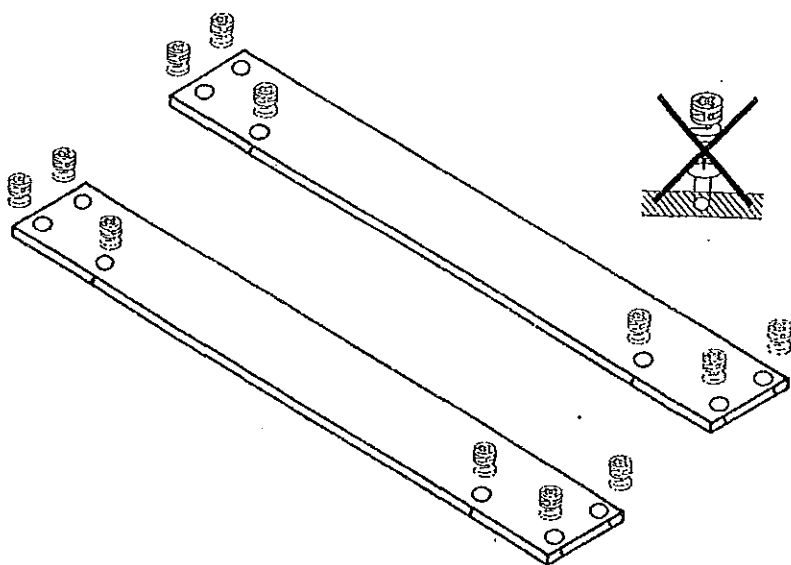


1/16" Drill bit

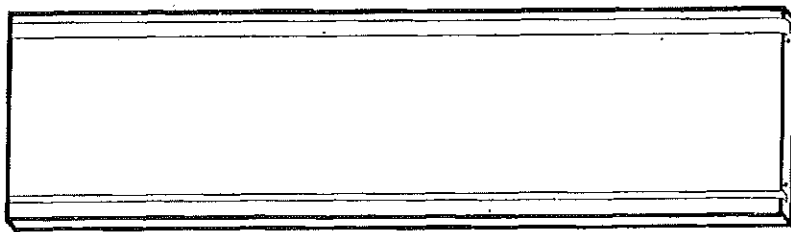
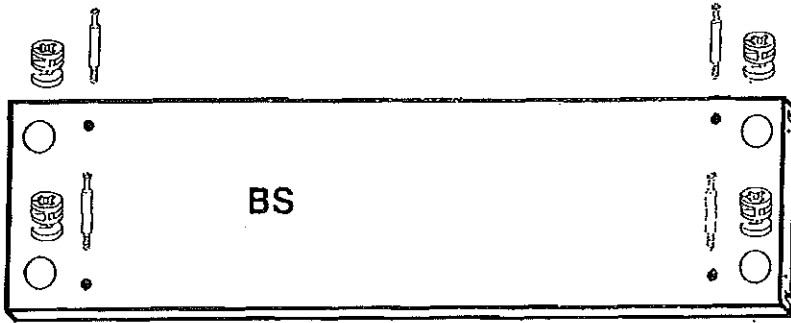
1



2



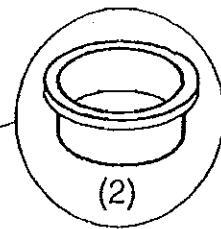
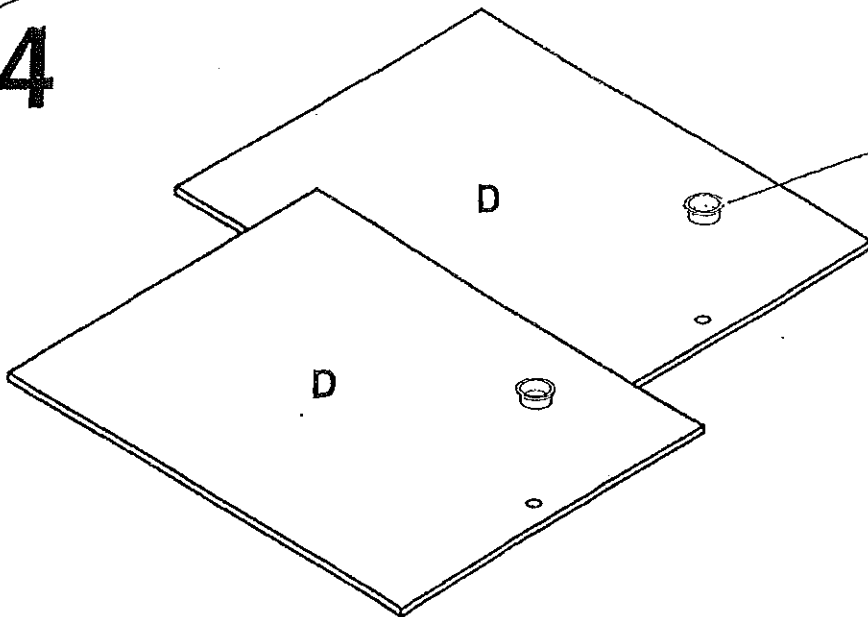
**3**



6mm groove

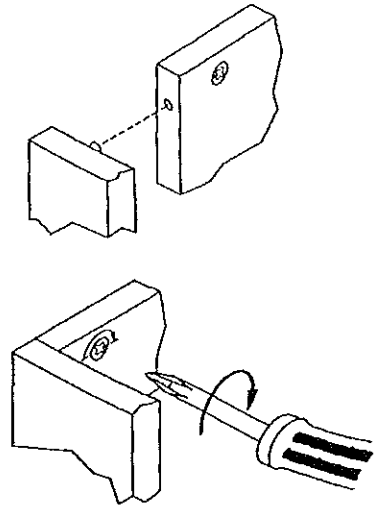
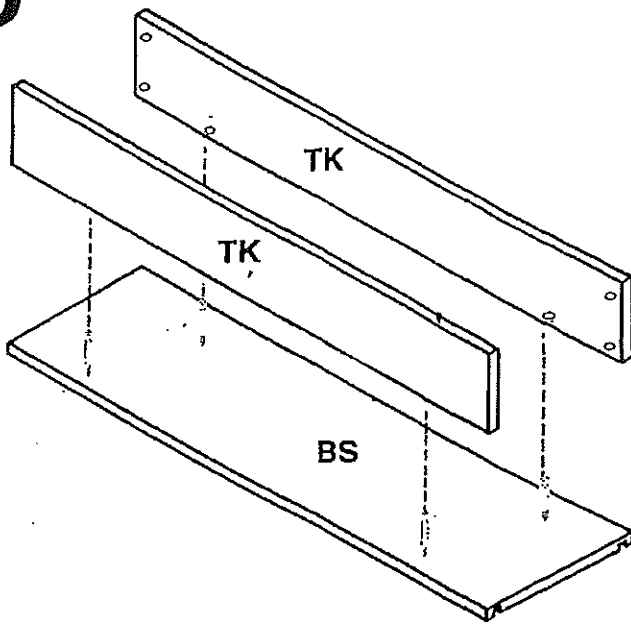
2mm groove

**4**



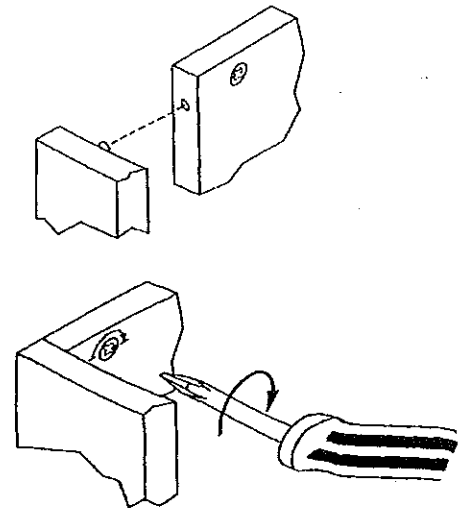
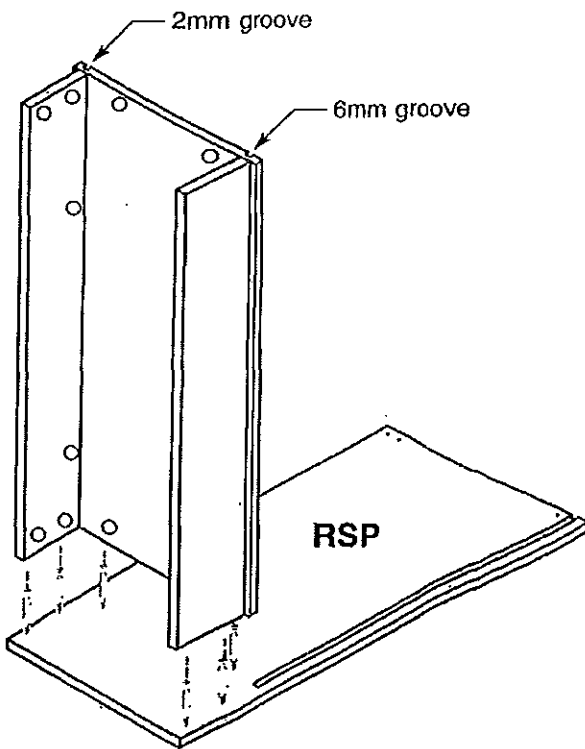
DONE IN FACTORY

**5**



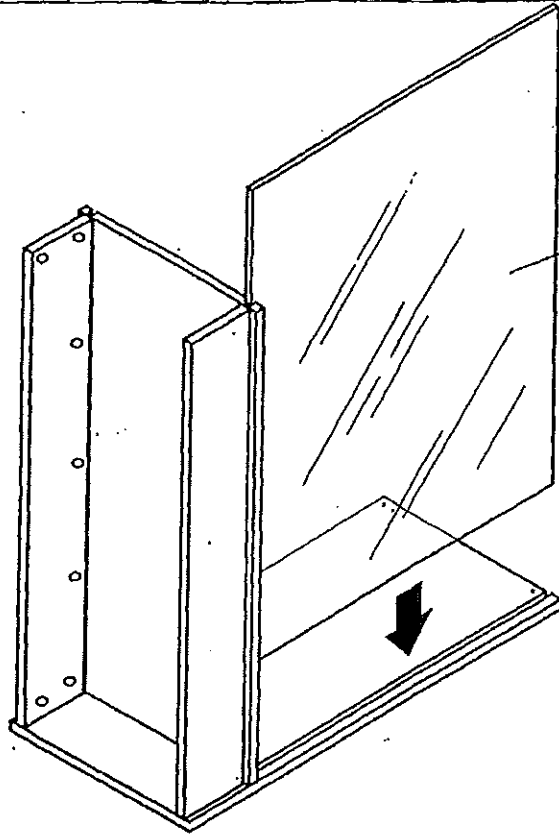
Fasten panels together and make sure all cams are locked.

**6**



Fasten panels together and make sure all cams are locked.

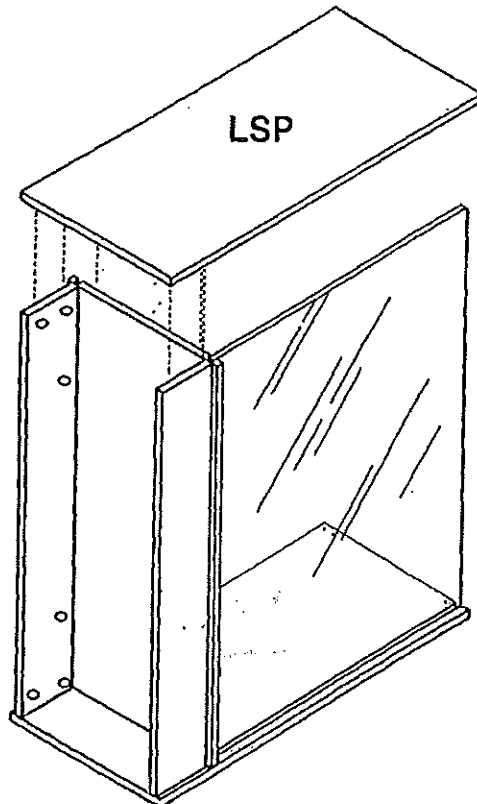
**7**



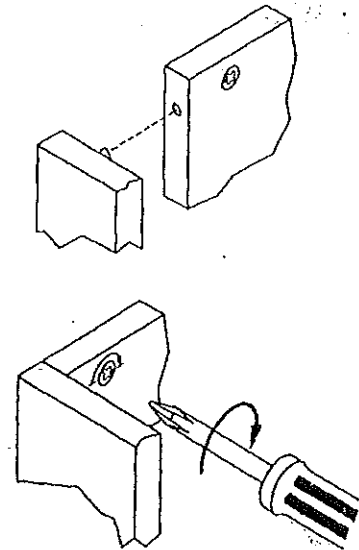
FRONT GLASS PANEL

(4 PCS OF GLASS PACKED IN ONE CARTON)

**8**

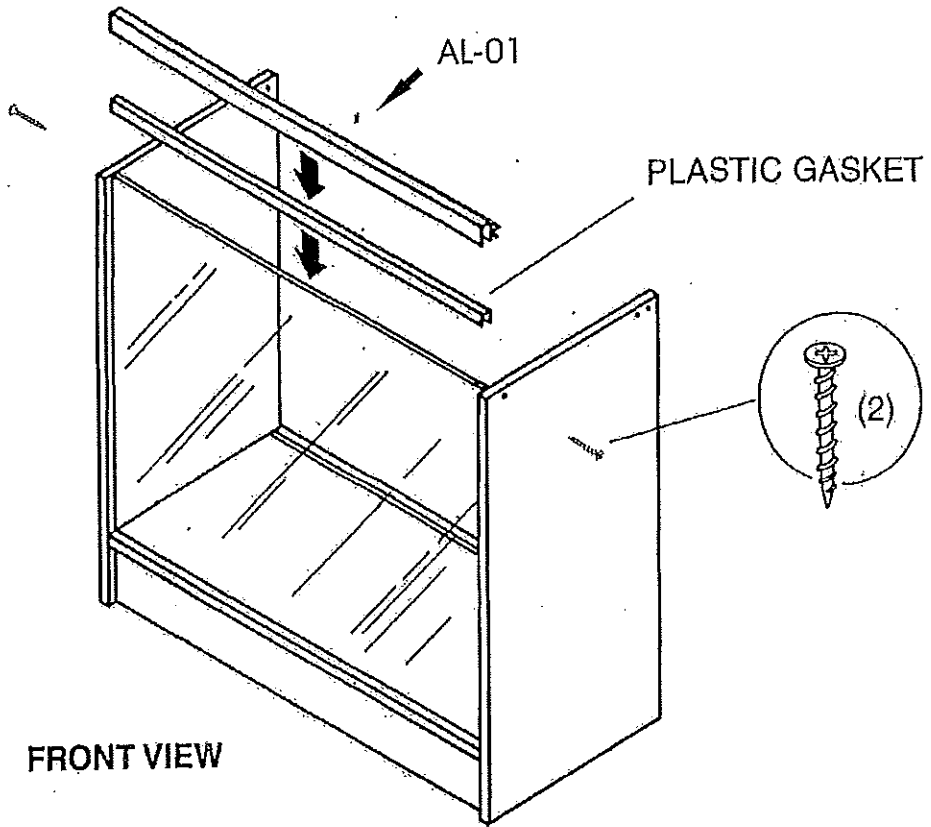


LSP

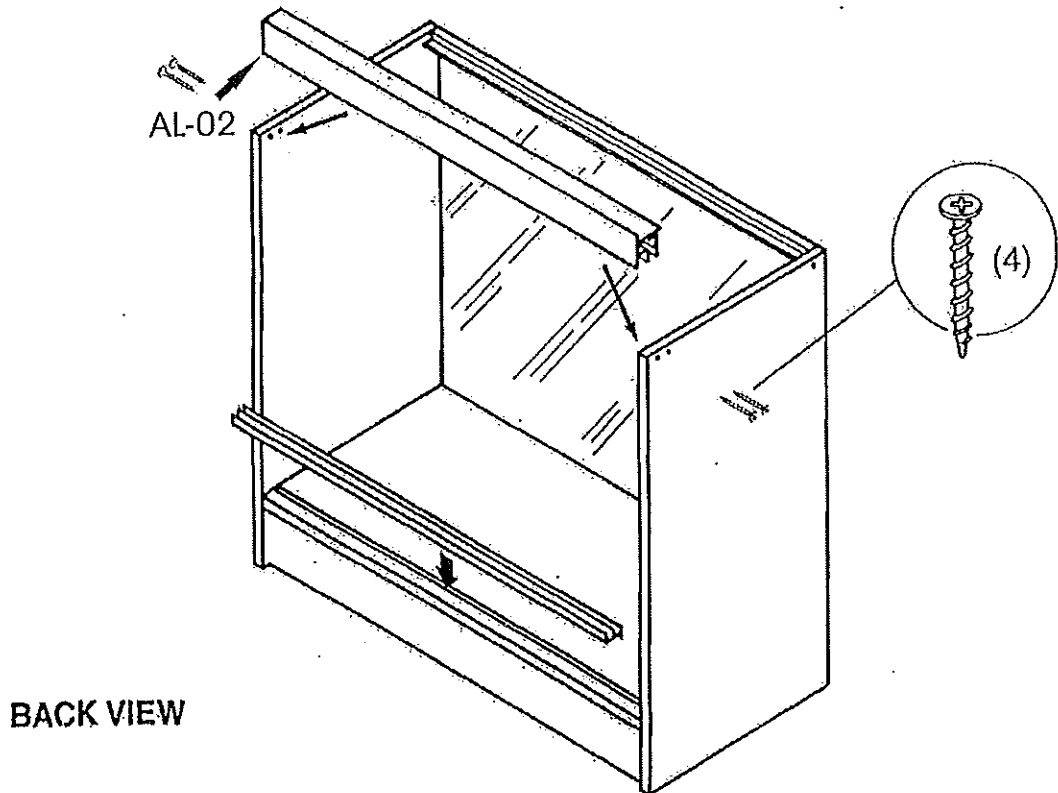


Fasten panels together and  
make sure all cams are locked.

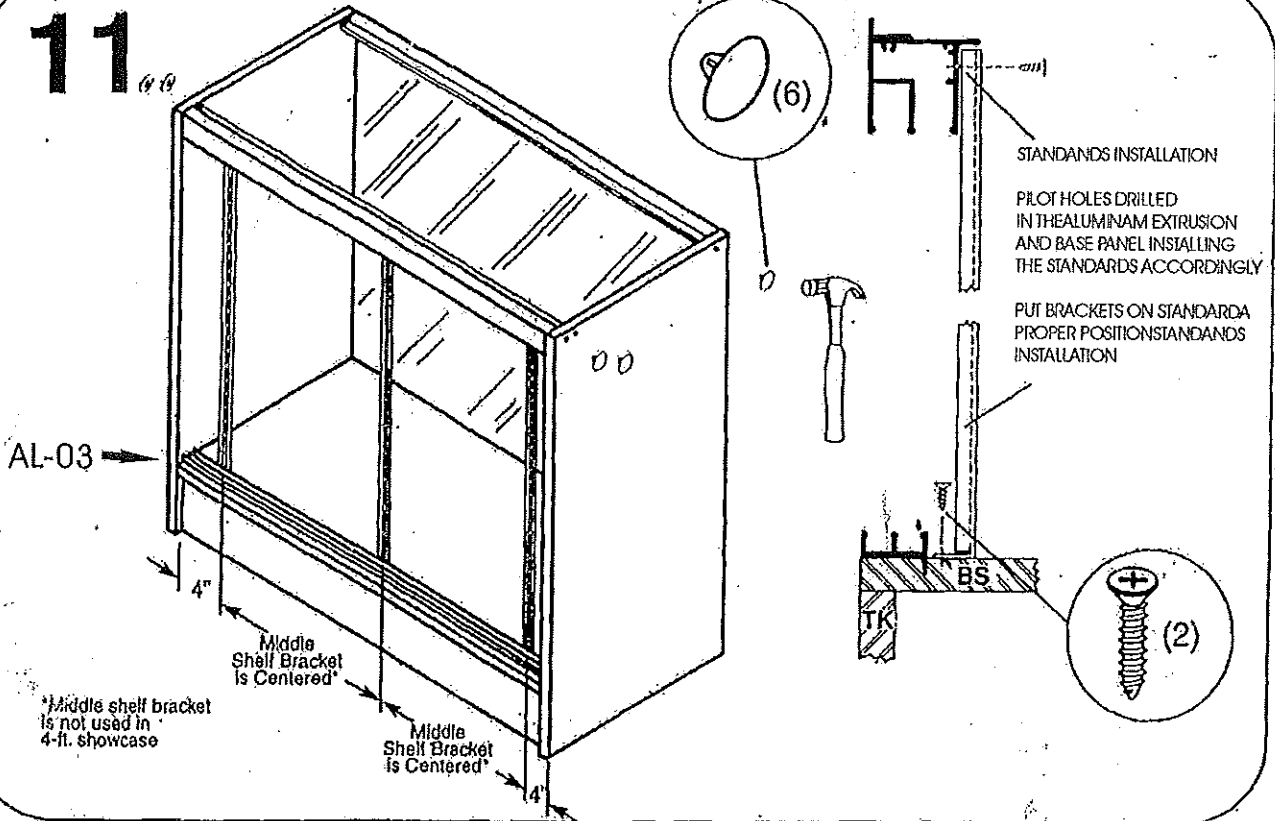
9



10



# 11



# 12

