



DL12SP & DL12DP COUNTER TOP SHEETERS

The Doyon DL12 series dough sheeter is an efficient one (DL12SP) or two stage (DL12DP) machine featuring a front infeed and discharge. Ergonomic design makes it easy and simple to operate.

Sheeting is made easy with this compact, counter top design that is simple to use. Back strain is reduced since rolling pin work is minimized or eliminated. Save time and effort.

Sheet dough up to 12" (305 mm) in diameter to a uniform thickness in seconds. One operator can make up to 250 pieces per hour in just two easy steps. The Quick Change Index System quickly changes the gap between the dough rollers. Sheet all types of dough including cinnamon rolls, doughnuts, perogies, danish and puff pastry up to 12" (305 mm).



DL12SP



DL12DP

STANDARD FEATURES

COUNTER TOP SHEETERS

- Stainless steel construction
- Compact design, ideal for use in a limited space
- Minimum rollers gap: 1/32"
Maximum rollers gap : 17/64"
- DL12SP & DL12DP : up to 12" (305 mm) diameter
- Sheet up to 250 pieces per hour
- Ideal for pizzas, tortillas, wraps, flat bread, etc. with an absorption rate of 50-60%
- Heavy gauge, steel frame
- Stainless steel infeed and chute
- Scrapers, sanitary and easily removed for cleaning
- Sealed bearings
- Adjustable roller gap
- Two year parts and one year labor warranty

OPTIONS

- Foot pedal for DL12DP
- CSST conformity kit for Québec



Experience our top-of-the-line sheeters today!



5600 13th Street • Menominee, MI 49858 USA

Phone: 906-863-4401 E-mail: sales@nu-vu.com
Toll Free: 1-800-338-9886 www.doyon.qc.ca
Fax: 906-863-5889 www.nu-vu.com

OVERALL DIMENSIONS

DL12SP

17" W X 10 5/8" D X 12 1/2" H
(432 mm X 270 mm X 318 mm)
Rollers: 2" X 12" (51 mm X 305 mm)

DL12DP

17" W X 10 5/8" D X 25 1/4" H
(432 mm X 270 mm X 641 mm)
Bottom Rollers: 2" X 12" (51 mm X 305 mm)

ELECTRICAL SYSTEM

120V - 1 PH - 370 Watts - 60 Hz

Heavy duty, maintenance free 1/2 HP motor

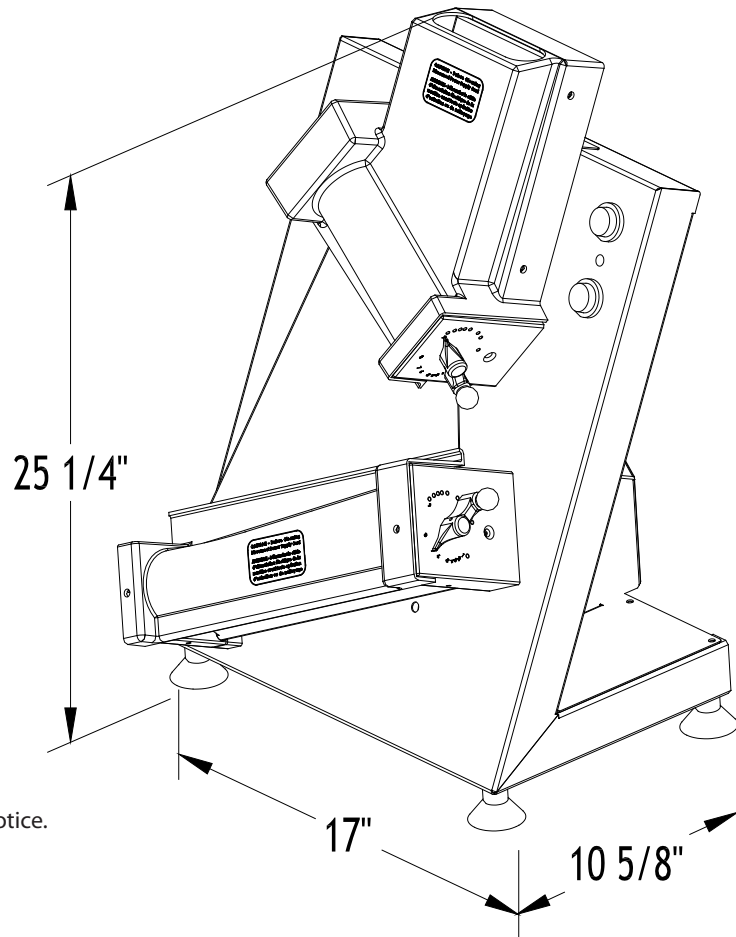
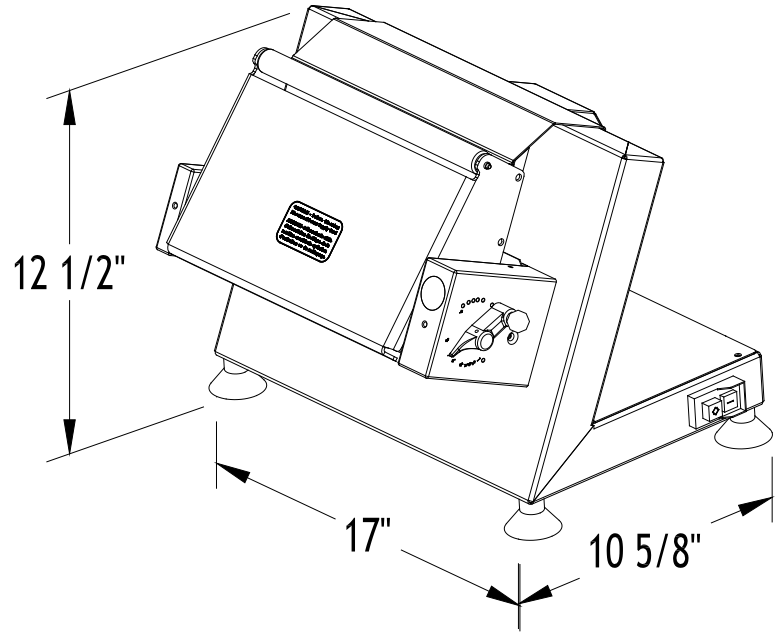
CAPACITY

Sheets from 1 oz to 10.5 oz (30g to 300g) of dough
Maximum rollers gap : 13/64" (5 mm)
Up to 250 dough pieces per hour

FINISH: Stainless steel

SHIPPING WEIGHT

DL12SP 60 lb (27 kg) approximately
DL12DP 100 lb (45 kg) approximately



Specifications and design are subject to change without notice.



5600 13th Street • Menominee, MI 49858 USA

Phone: 906-863-4401 E-mail: sales@nu-vu.com
Toll Free: 1-800-338-9886 www.doyon.qc.ca
Fax: 906-863-5889 www.nu-vu.com