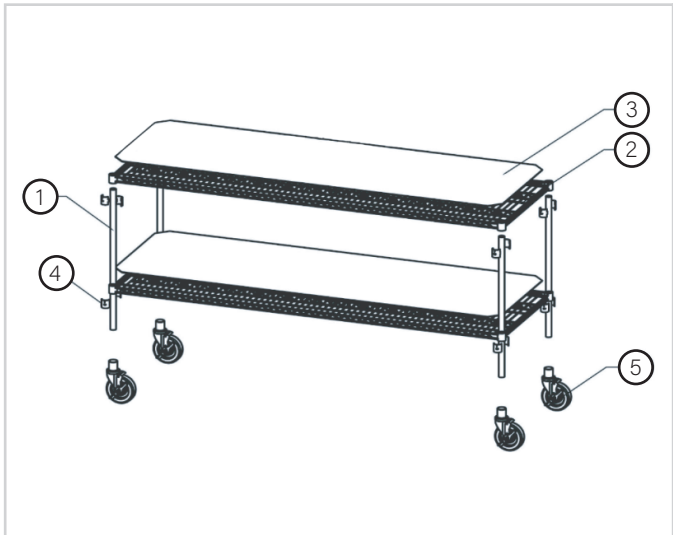


ASSEMBLY INSTRUCTIONS



- 1. Pole x 4
- 2. Shelf x 2
- 3. Liner x 2
- 4. Plastic Clips x 16
- 5. Locking Caster x 4



CASTER ASSEMBLY

1. Identify the 4 poles, which have one black cap end and one end without insert. Casters should be installed on the end without insert.
2. Lay out a piece or 2 of cardboard on the floor for protection of the floor and the pole.
3. Hold the pole with black cap end toward the floor.
4. Hold caster with the stem facing the pole and the wheel toward the ceiling.
5. Line the closed back of the open split ring (on the stem of the caster) inside the pole.
6. Stabilize the caster with one hand and the pole with the other hand, trying to line them up as much as possible with the ring inside.
7. Gently tap pole on the cardboard until stem is completely inside pole.

1 See specific steps for caster installation above.

