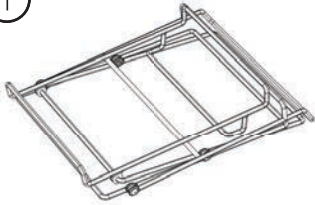


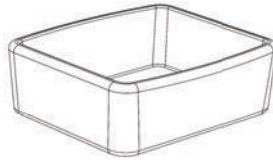
ASSEMBLY INSTRUCTIONS

COMPONENTS

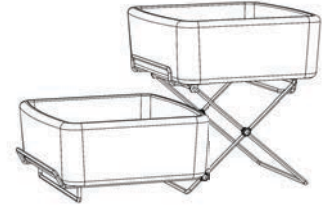
①



②

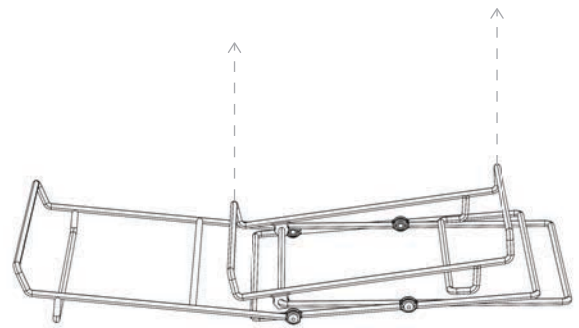
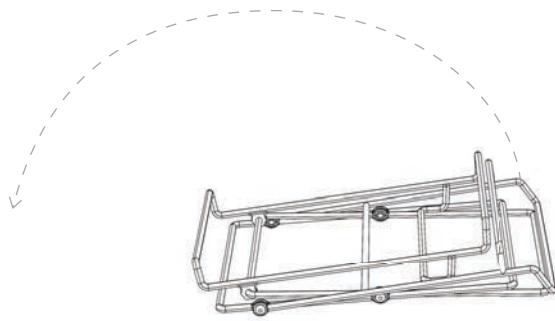


- 1. Frame
- 2. Basket x 2



① Place Frame(1) on counter and hinge bottom foot all the way out as shown in Step 2.

② Grab top shelf and pull straight up until legs create an X, as shown in Step 3.



③ Hook top shelf around leg as shown, and set finished frame on counter.

④ Insert baskets as shown.

