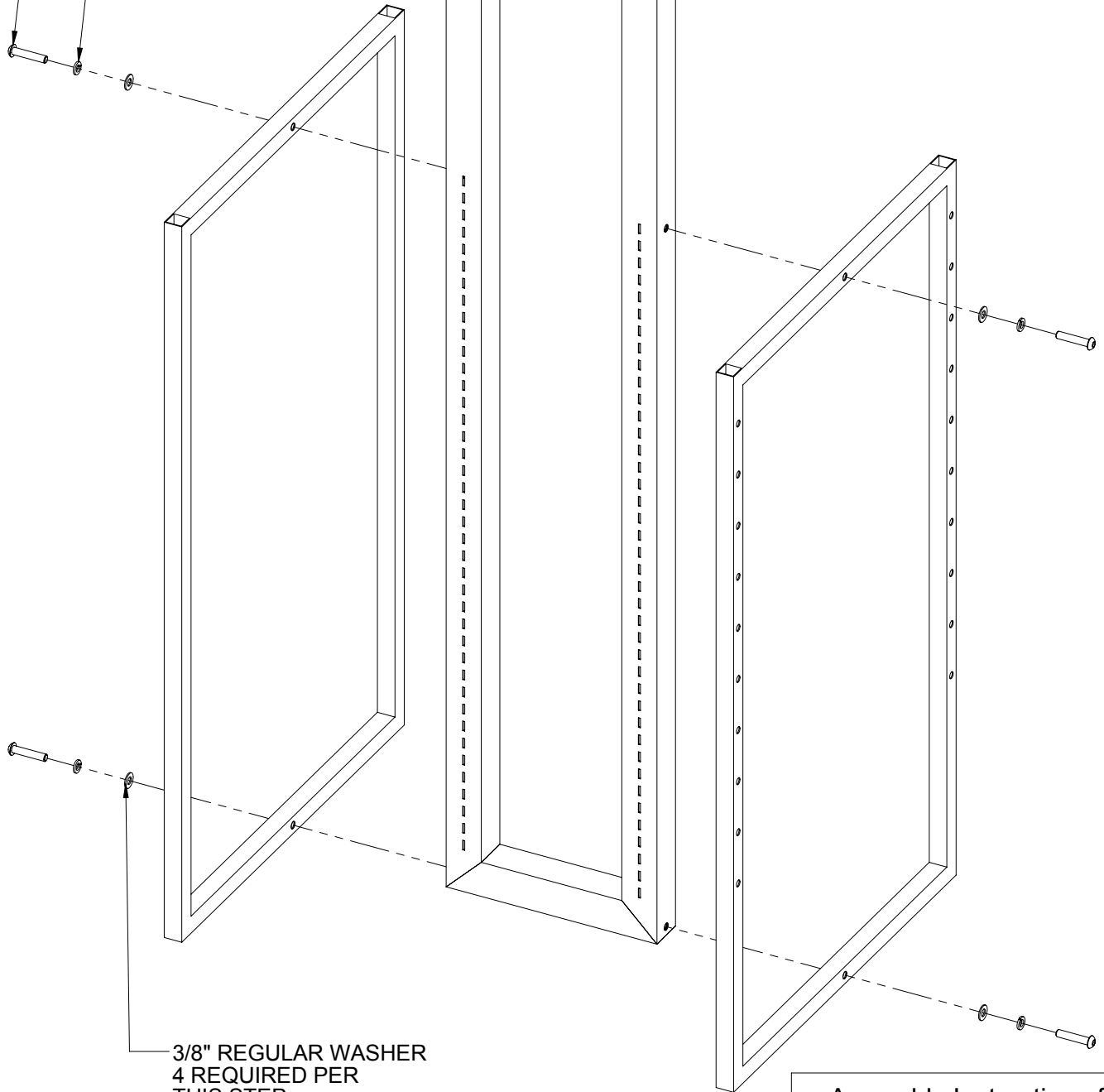


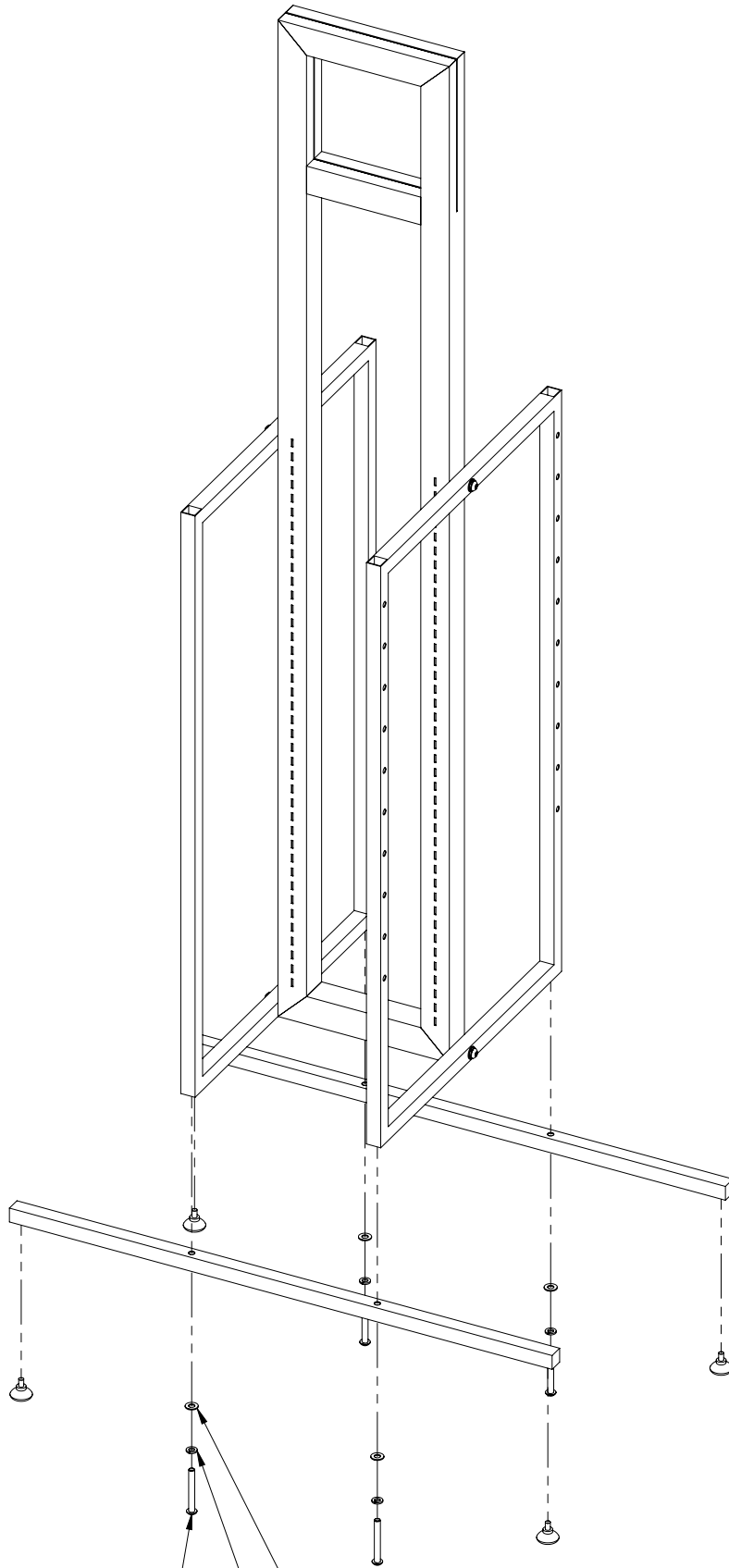
3/8"-16 x 1-7/8" SOCKET  
BUTTON HEAD SCREWS  
4 REQUIRED PER THIS STEP  
**(NOTE: LENGTH MAY VARY)**

3/8" LOCK WASHER  
4 REQUIRED PER  
THIS STEP



3/8" REGULAR WASHER  
4 REQUIRED PER  
THIS STEP

Assembly Instructions for  
items T502FSC & T502SC-  
H

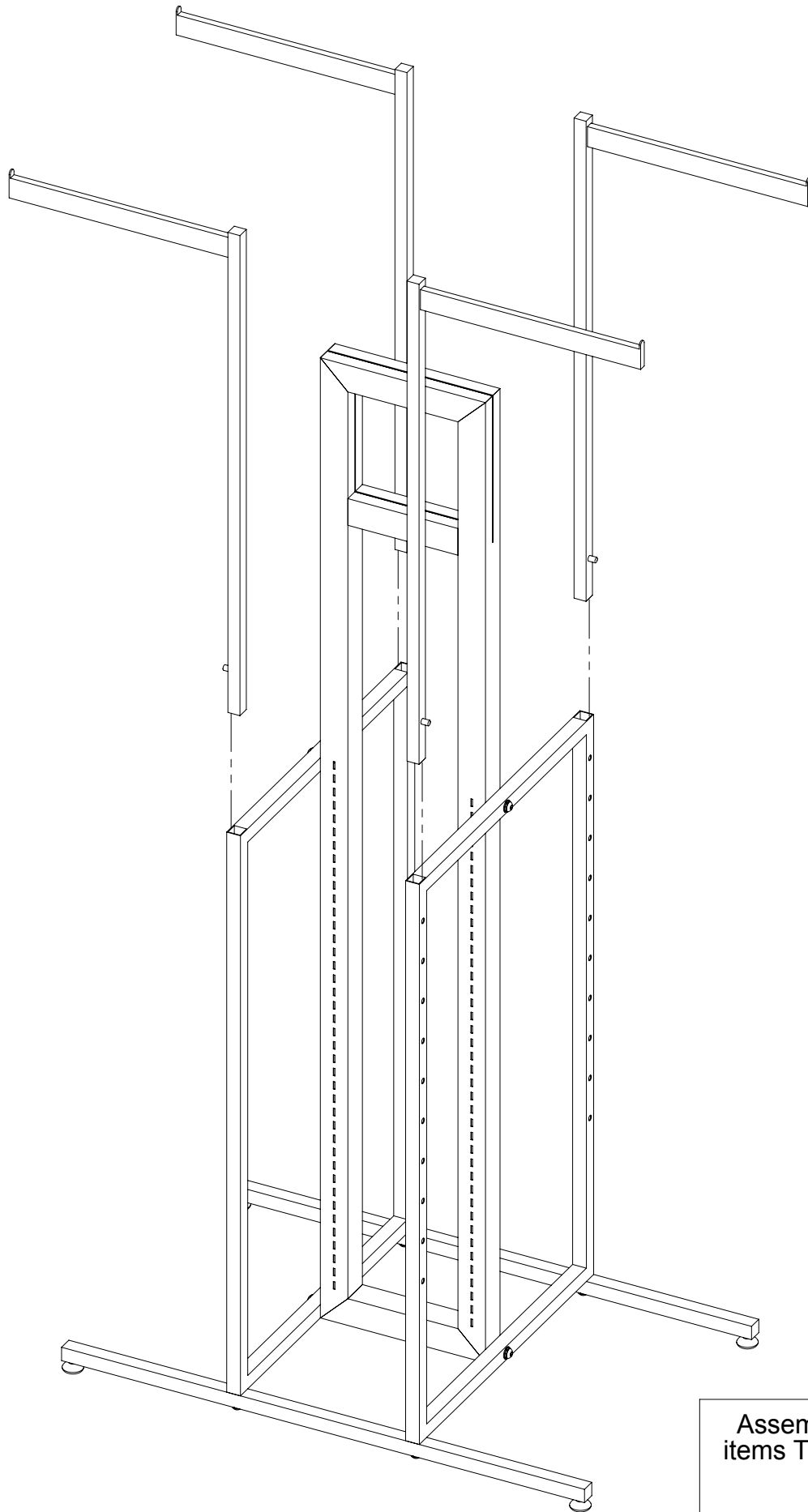


3/8"-16 x 3" SOCKET  
BUTTON HEAD SCREWS  
4 REQUIRED PER THIS STEP  
**(NOTE: LENGTH MAY VARY)**

3/8" REGULAR WASHER  
4 REQUIRED PER  
THIS STEP

3/8" LOCK WASHER  
4 REQUIRED PER  
THIS STEP

Assembly Instructions for  
items T502FSC & T502SC-  
H



Assembly Instructions for  
items T502FSC & T502SC-  
H