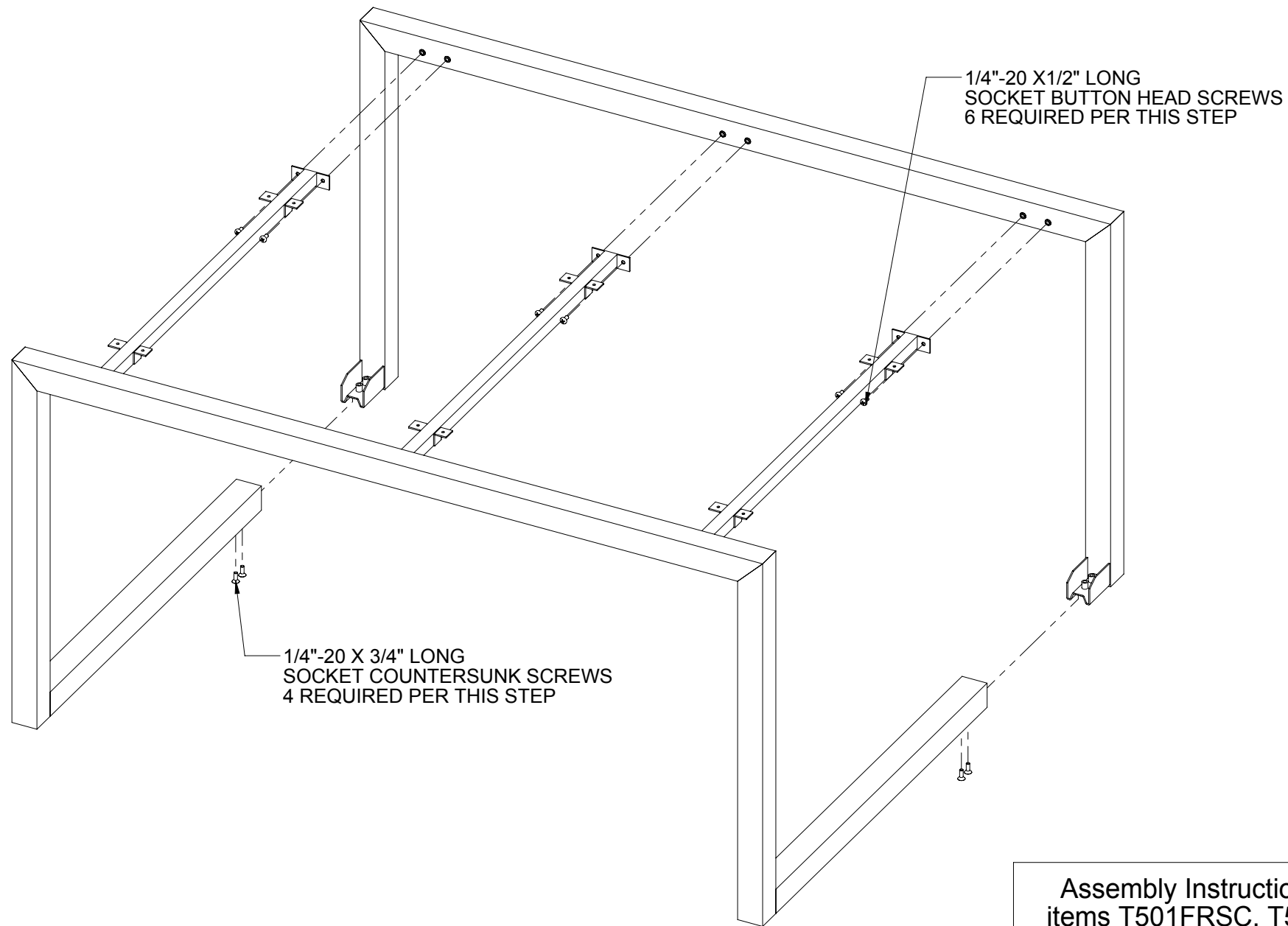


1/4"-20 X 3/4" LONG  
 SOCKET COUNTERSUNK SCREWS  
 4 REQUIRED PER THIS STEP

1/4"-20 X 1/2" LONG  
 SOCKET BUTTON HEAD SCREWS  
 6 REQUIRED PER THIS STEP

Assembly Instructions for  
 items T501FRSC, T501SC-  
 H, T505FRSC, T505SC-H

SHEET 1 OF 3

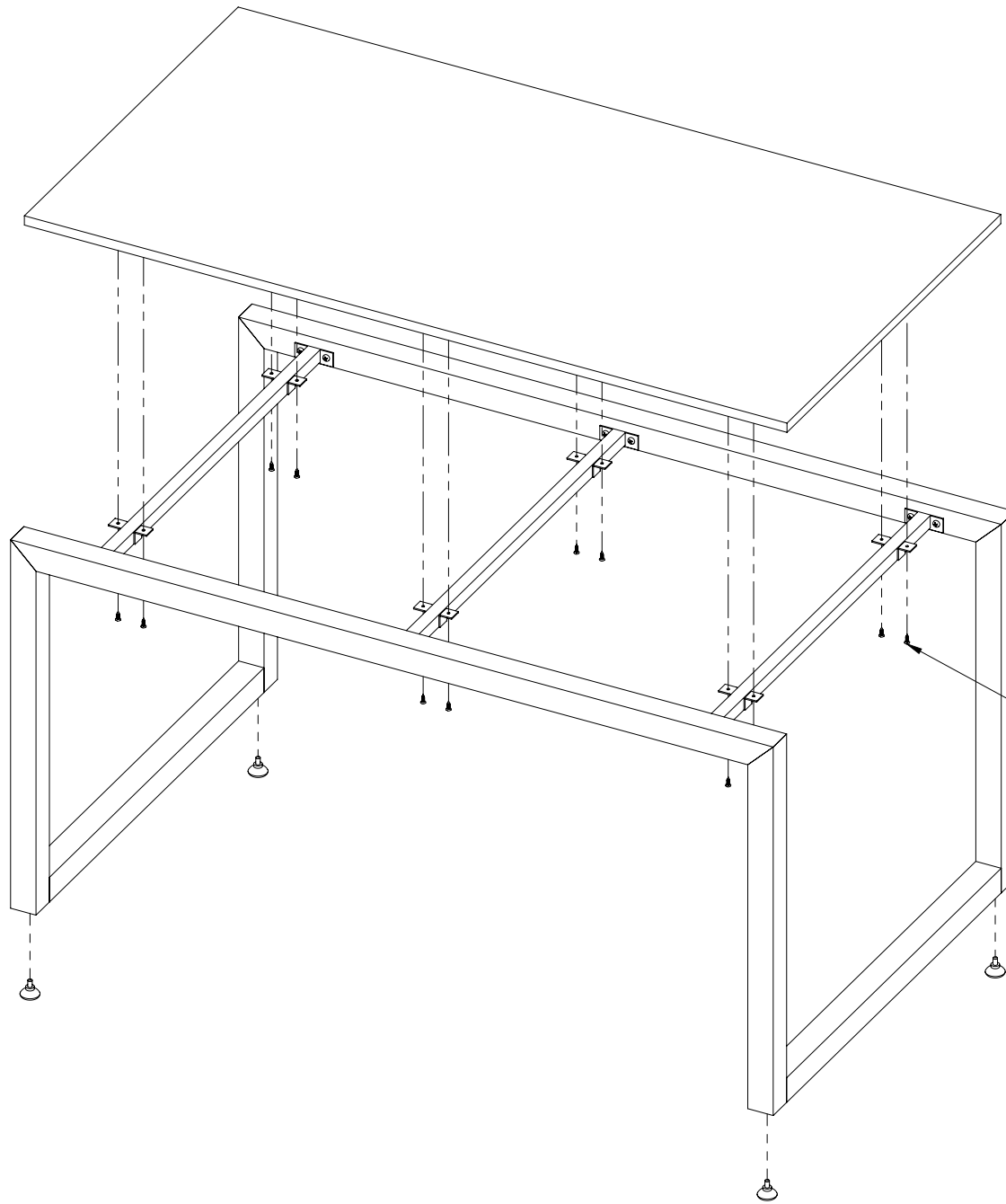


1/4"-20 X 1/2" LONG  
SOCKET BUTTON HEAD SCREWS  
6 REQUIRED PER THIS STEP

1/4"-20 X 3/4" LONG  
SOCKET COUNTERSUNK SCREWS  
4 REQUIRED PER THIS STEP

Assembly Instructions for  
items T501FRSC, T501SC-  
H, T505FRSC, T505SC-H

SHEET 2 OF 3



#10 X 5/8" LONG  
PAN CROSS HEAD WOOD SCREWS  
12 REQUIRED PER THIS STEP

Assembly Instructions for  
items T501FRSC, T501SC-  
H, T505FRSC, T505SC-H