

1/4"-20 X 1-3/8" LONG
SOCKET COUNTER
SUNK SCREWS
8 REQUIRED PER
THIS STEP

Assembly Instructions for
T503FRSC

SHEET 1 OF 3

5

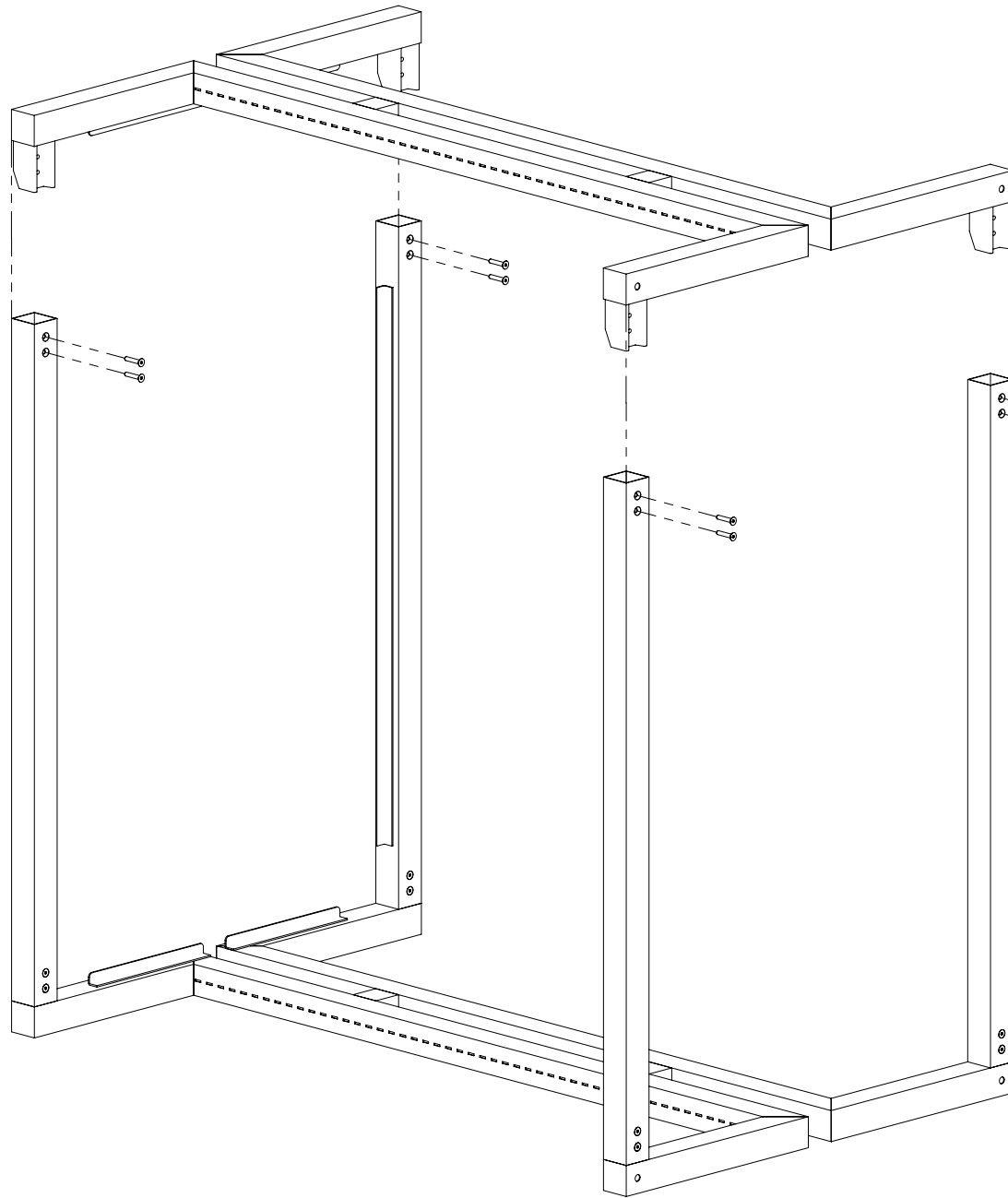
↑

4

3

2

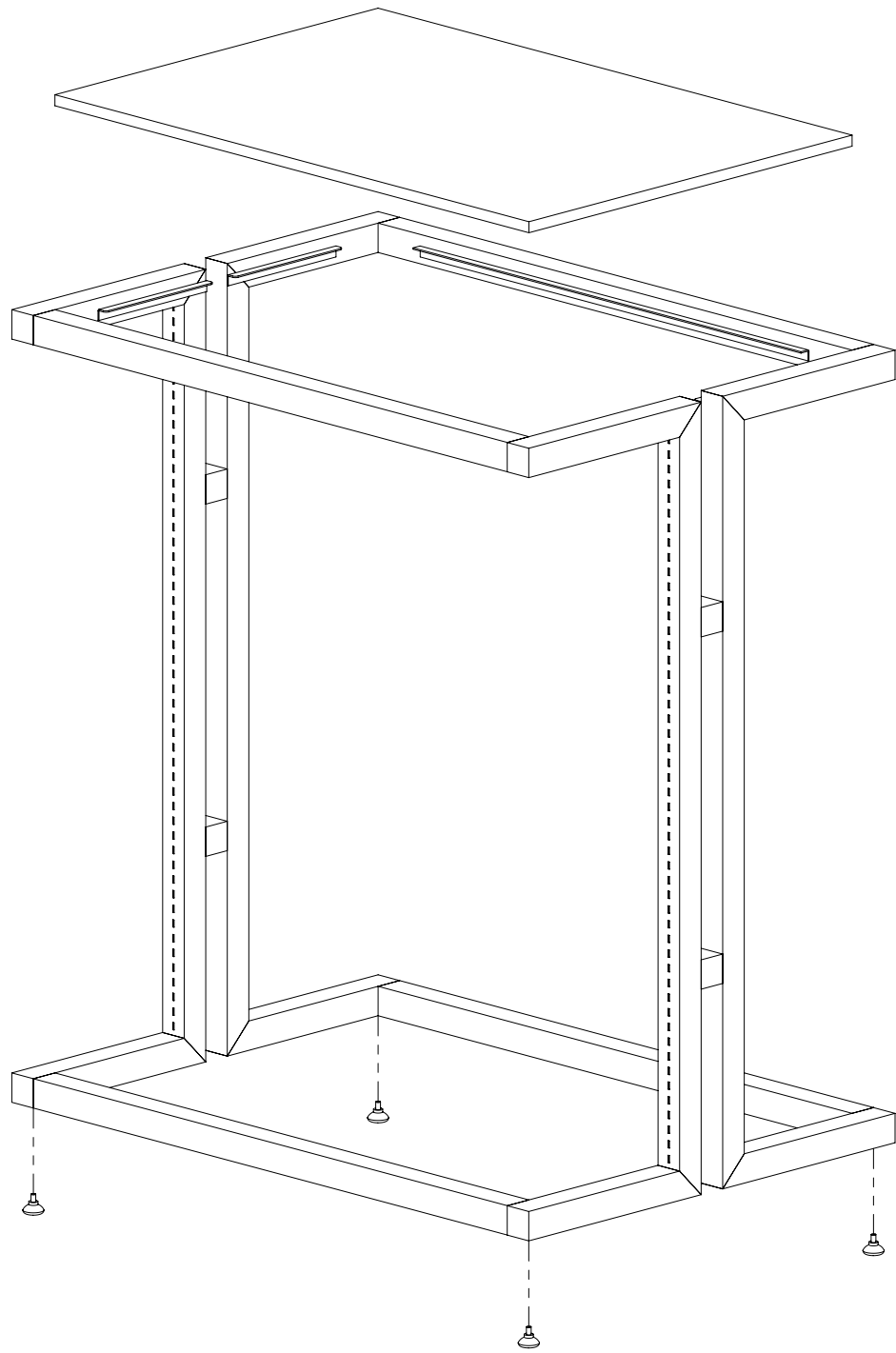
1



1/4"-20 X 1-3/8" LONG
SOCKET COUNTER
SUNK SCREWS
8 REQUIRED PER
THIS STEP

Assembly Instructions for
T503FRSC

SHEET 2 OF 3



Assembly Instructions for
T503FRSC