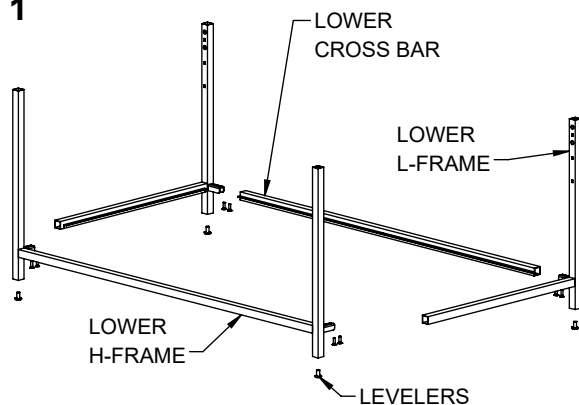
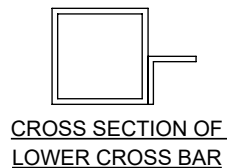


1

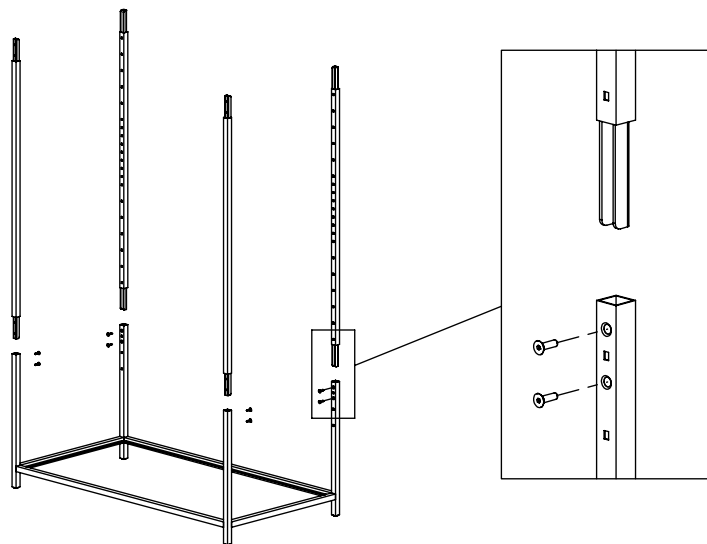


ASSEMBLY INSTRUCTIONS FOR: LNWU2



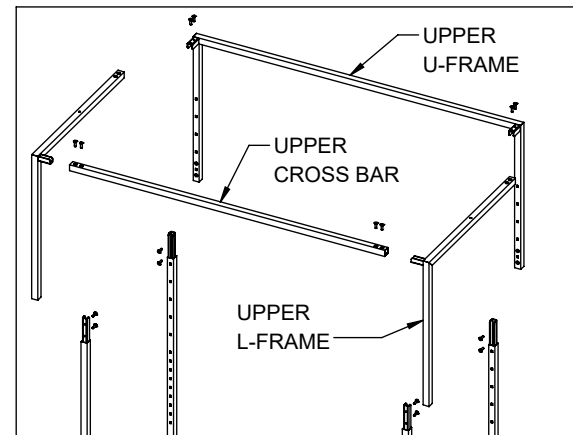
- INSTALL LEVELERS ONTO THE LOWER L-FRAMES AND LOWER H-FRAME IF THEY ARE NOT ALREADY INSTALLED.
- ASSEMBLE THE LOWER L-FRAMES WITH THE LOWER CROSS BAR AS SHOWN.
- COMPLETE THE LOWER FRAME BY JOINING THE ASSEMBLY FROM THE PREVIOUS STEP TO THE LOWER H-FRAME.

2



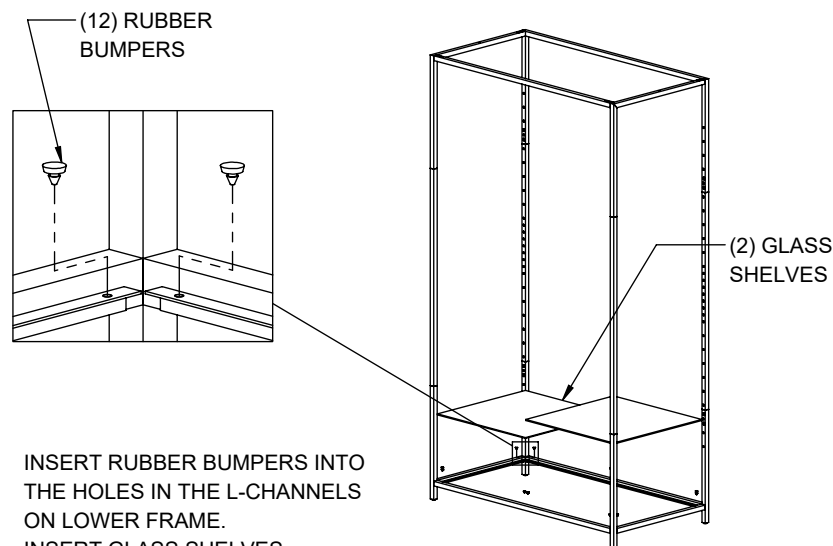
- INSTALL THE SLOTTED UPRIGHTS INTO THE ASSEMBLED LOWER FRAME AS SHOWN.

3



- ASSEMBLE THE UPPER L-FRAMES WITH THE UPPER CROSS BAR AS SHOWN.
- COMPLETE THE UPPER FRAME BY JOINING THE ASSEMBLY FROM THE PREVIOUS STEP TO THE UPPER U-FRAME.
- INSTALL THE ASSEMBLED UPPER FRAME ONTO THE UPRIGHTS.
- **NOTE: THE UPPER AND LOWER L-FRAMES SHOULD BE IN OPPOSITE CORNERS WHEN ASSEMBLED CORRECTLY.**

4



- INSERT RUBBER BUMPERS INTO THE HOLES IN THE L-CHANNELS ON LOWER FRAME.
- INSERT GLASS SHELVES.