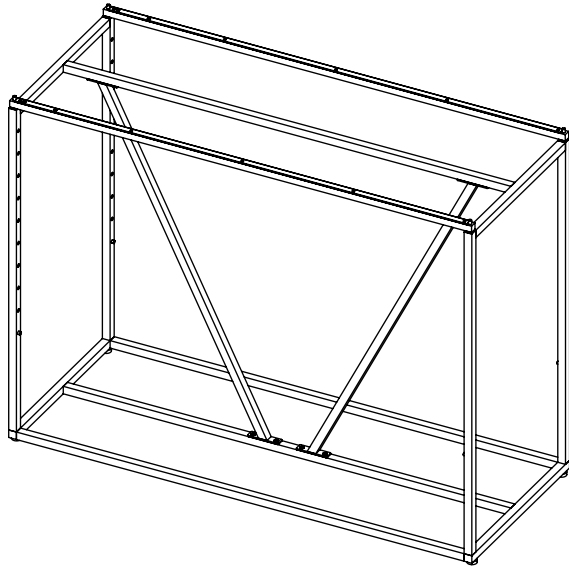
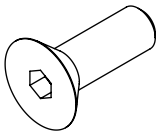


LINEA H-RACK

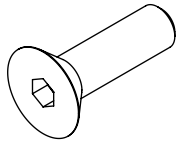
Item # LNH60



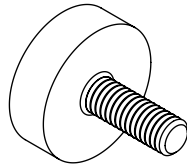
INCLUDED HARDWARE



LONG SCREW
1/4-20 x 0.875" LONG
COUNTERSUNK SCREW
QTY: 24



HANGRAIL SCREWS
(PLACED IN SEPARATE BAG)
1/4-20 x 0.75" LONG
COUNTERSUNK SCREW
QTY: 8



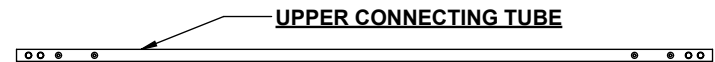
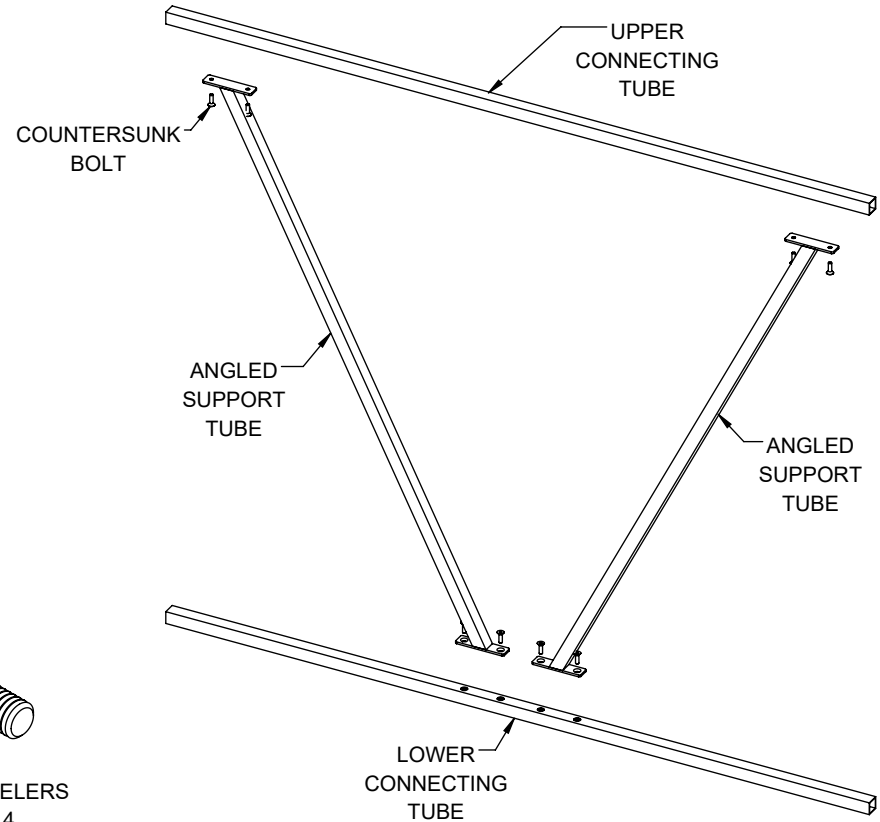
3/8-16 LEVELERS
QTY: 4



ALLEN KEY
QTY: 1

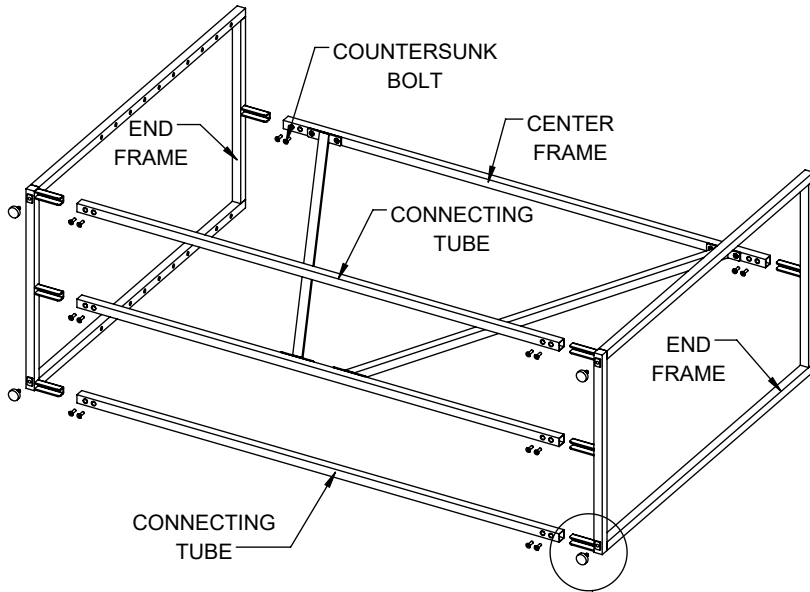
1

MOUNT THE ANGLED SUPPORT BRACKETS TO THE UPPER AND LOWER CONNECTING TUBES USING (8) LONG SCREWS.

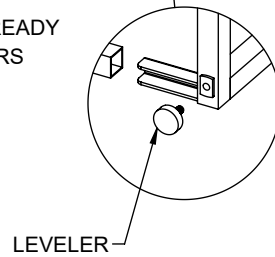


2

MOUNT END FRAMES TO CENTER FRAME AND REMAINING CONNECTING TUBES USING (16) LONG SCREWS.



***NOTE:** IF THEY ARE NOT ALREADY INSTALLED, THREAD LEVELERS INTO END FRAMES.



3

- INSTALL HANGRAIL UPRIGHTS WITH HANGRAIL USING HANGRAIL SCREWS.
- DROP HANGRAIL INTO UPRIGHTS ALLOWING PUSH BUTTON TO SNAP INTO PLACE AT DESIRED HEIGHT.

