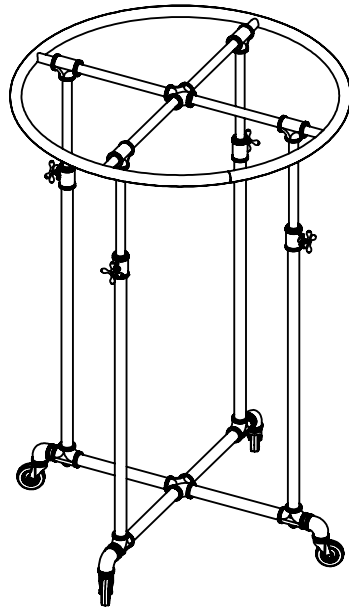
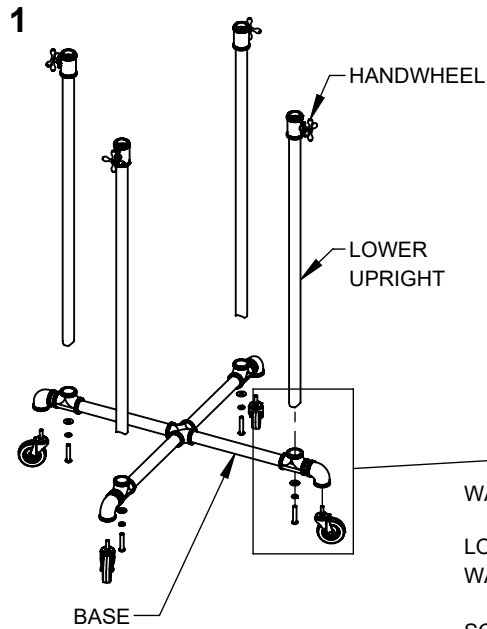
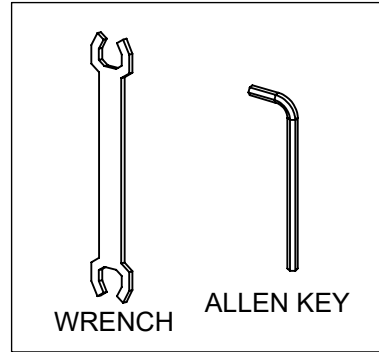


**ASSEMBLY INSTRUCTIONS:
PSRD36**

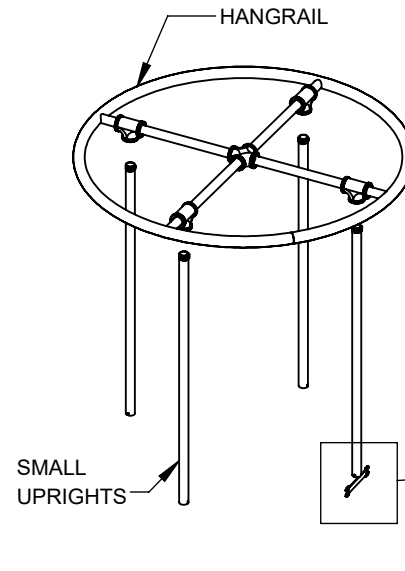


INCLUDED TOOLS



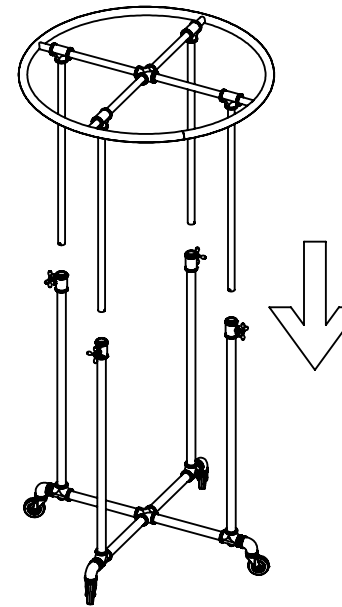
- SECURE EACH LOWER UPRIGHT TO THE BASE WITH A SCREW, LOCK WASHER, AND WASHER AS SHOWN.
- **NOTE: ADJUSTABLE HANDWHEELS SHOULD BE FACING OUTWARD.**
- THREAD THE CASTERS INTO THE BASE FEET.

2



- THREAD THE SMALL UPRIGHTS INTO THE HANGRAIL.
- **NOTE: THE INCLUDED WRENCH CAN BE INSERTED INTO THE NOTCH ON THE UPRIGHTS FOR LEVERAGE.**
- TIGHTEN EACH UPRIGHT AS MUCH AS POSSIBLE.

3



- LOOSEN THE HANDWHEELS ON THE LOWER UPRIGHTS.
- INSERT THE ASSEMBLY FROM THE PREVIOUS STEP INTO THE UPRIGHTS FROM STEP 1.
- **NOTE: AN ASSISTANT MAY BE REQUIRED TO HELP ALIGN ALL 4 UPRIGHTS.**