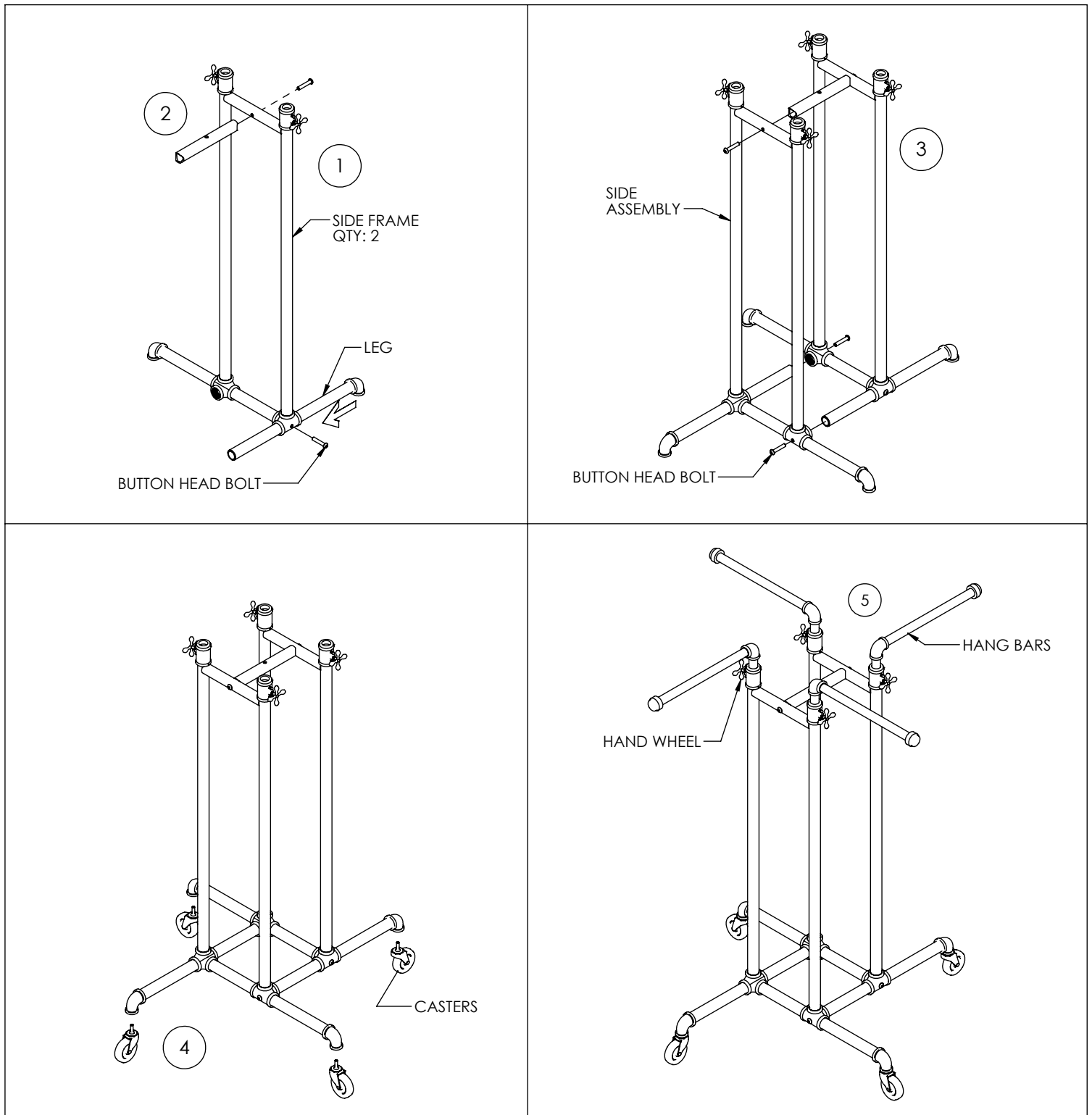


PS4-ADJ ASSEMBLY INSTRUCTIONS



- 1 SLIDE ONE OF THE LEGS THROUGH THE LOWER FITTING ON THE SIDE FRAME. ALIGN THE HOLE IN THE FITTING WITH THE HOLE IN THE LEG AND SECURE IT LOOSELY WITH A BOLT. REPEAT FOR THE OTHER LEG AND SIDE FRAME.
NOTE: THE 90 DEGREE FITTING ON THE LEGS SHOULD BE POINTING DOWN.
- 2 LOOSELY SECURE THE CROSS SUPPORT AS SHOWN WITH (1) BOLT.
- 3 SECURE THE OTHER SIDE ASSEMBLY FROM STEP 1 WITH THE REMAINING BOLTS AS SHOWN.
NOTE: THE BOLTS FROM ALL PREVIOUS STEPS SHOULD BE TIGHTENED NOW.
- 4 THREAD THE CASTERS INTO THE 90 DEGREE FITTINGS ON THE LEGS.
- 5 LOOSEN ALL (4) HAND WHEELS TO INSTALL THE HANG BARS AS SHOWN. TIGHTEN THE HANDWHEELS TO CLAMP THE HANG BARS AT THE DESIRED HEIGHTS.