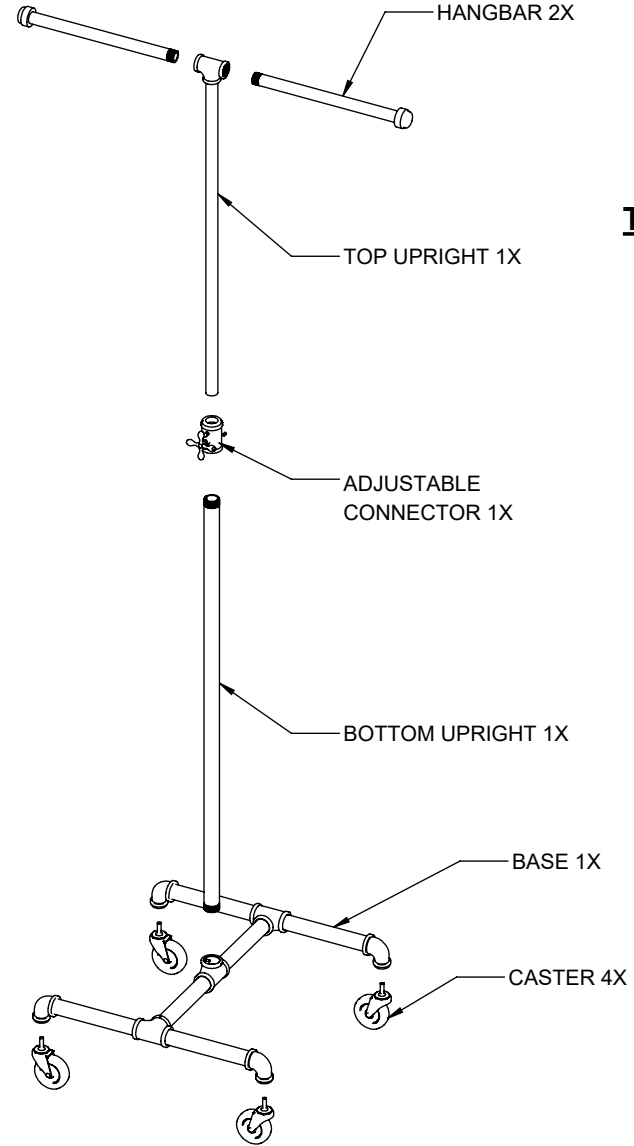
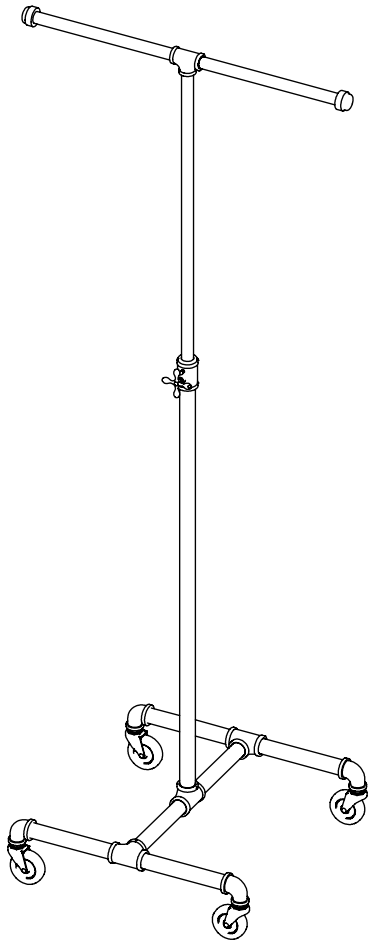
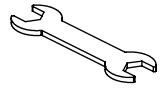


**ASSEMBLY**  
**INSTRUCTIONS FOR:**  
**PS2WADJ**



**TOOLS INCLUDED**

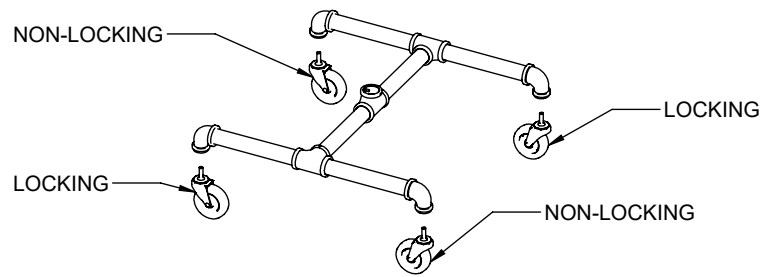


WRENCH



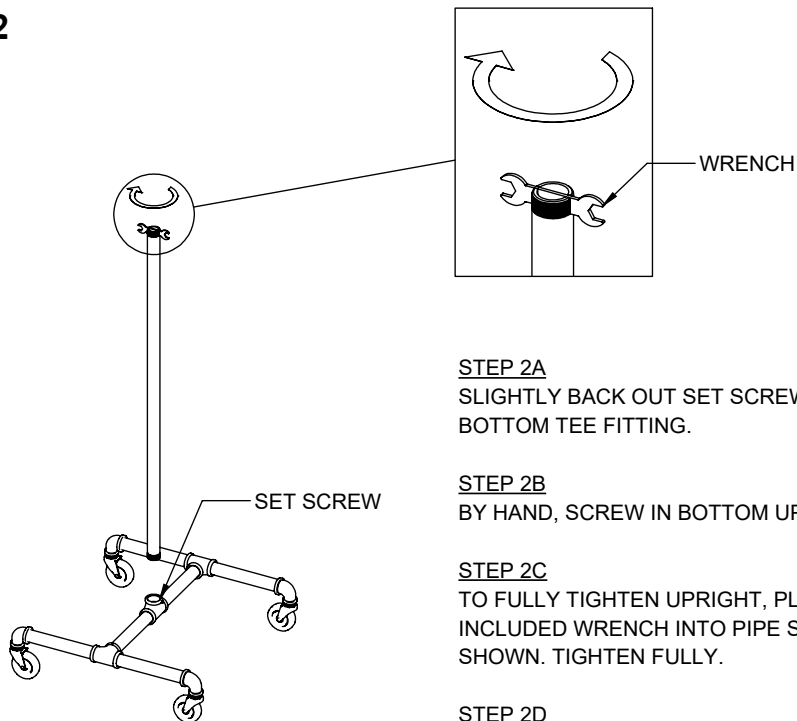
ALLEN KEY

1



SCREW IN THE CASTERS TO THE BASE AS SHOWN USING PROVIDED WRENCH.

2



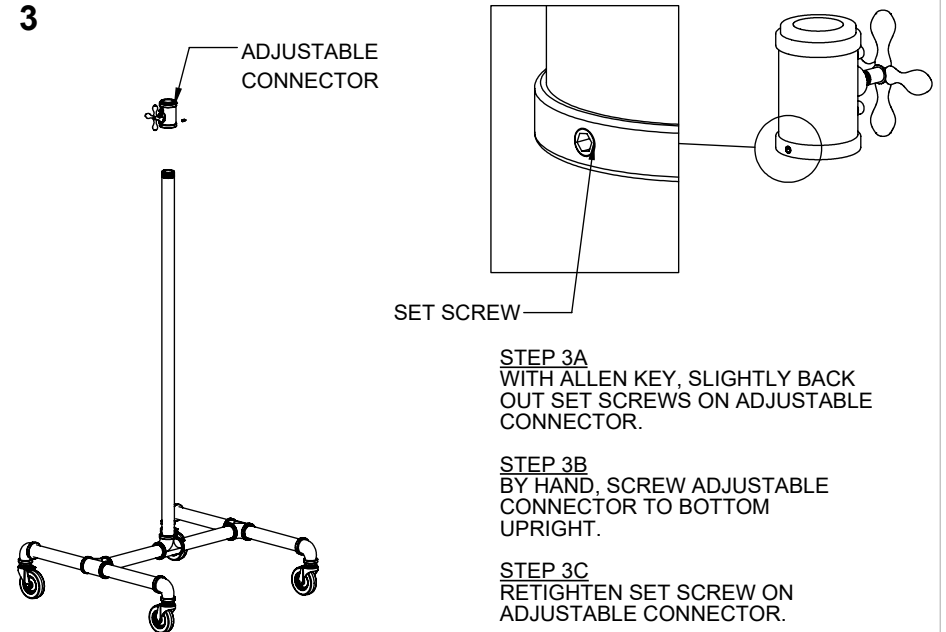
**STEP 2A**  
SLIGHTLY BACK OUT SET SCREWS ON BOTTOM TEE FITTING.

**STEP 2B**  
BY HAND, SCREW IN BOTTOM UPRIGHT.

**STEP 2C**  
TO FULLY TIGHTEN UPRIGHT, PLACE INCLUDED WRENCH INTO PIPE SLOT AS SHOWN. TIGHTEN FULLY.

**STEP 2D**  
TIGHTEN SET SCREW ON BOTTOM TEE FITTING.

3

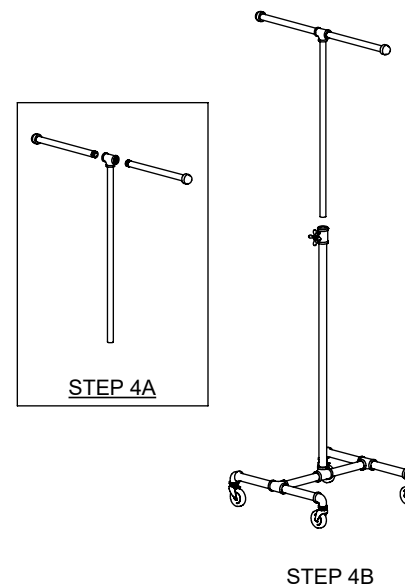


**STEP 3A**  
WITH ALLEN KEY, SLIGHTLY BACK OUT SET SCREWS ON ADJUSTABLE CONNECTOR.

**STEP 3B**  
BY HAND, SCREW ADJUSTABLE CONNECTOR TO BOTTOM UPRIGHT.

**STEP 3C**  
RETIGHTEN SET SCREW ON ADJUSTABLE CONNECTOR.

4



**STEP 4A**  
SCREW HANGBARS ONTO TOP UPRIGHT.

**STEP 4B**  
(UNTIGHTEN HAND WHEEL) INSERT TOP UPRIGHT INTO BOTTOM UPRIGHT.

**STEP 4C**  
TIGHTEN HAND WHEEL TO SECURE TOP UPRIGHT IN DESIRED POSITION.