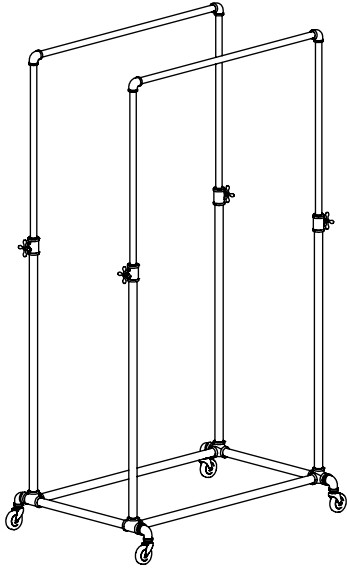
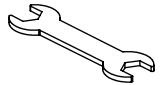


**ASSEMBLY**  
**INSTRUCTIONS FOR:**  
**PSBBADJ**



**ASSEMBLED VIEW**

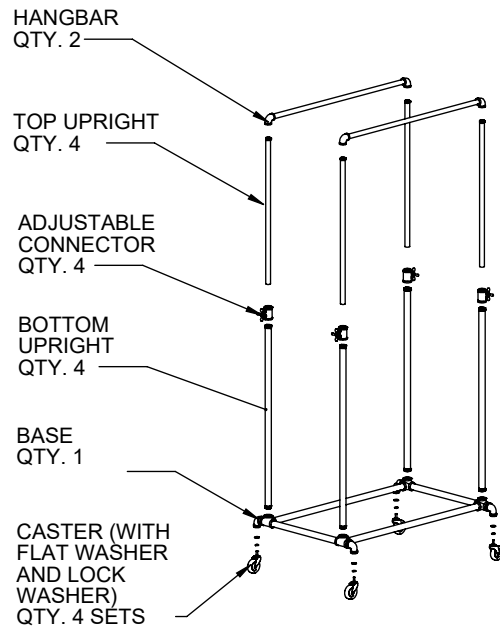
**TOOLS INCLUDED**



WRENCH

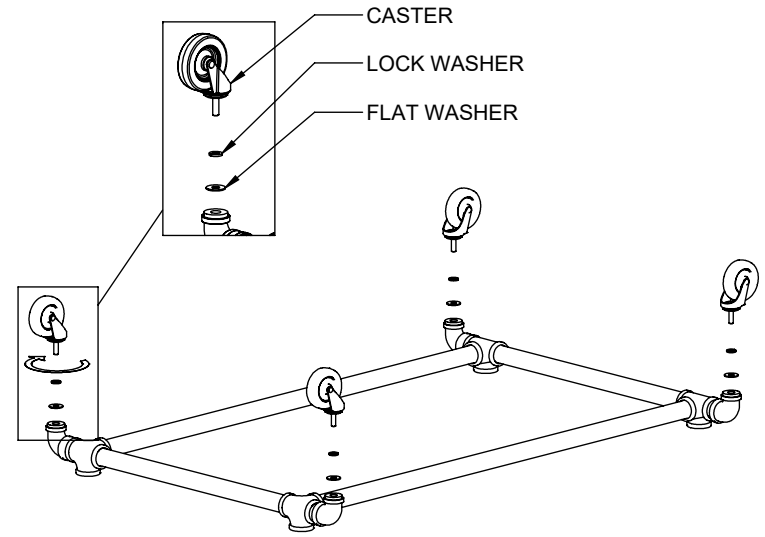


ALLEN KEY



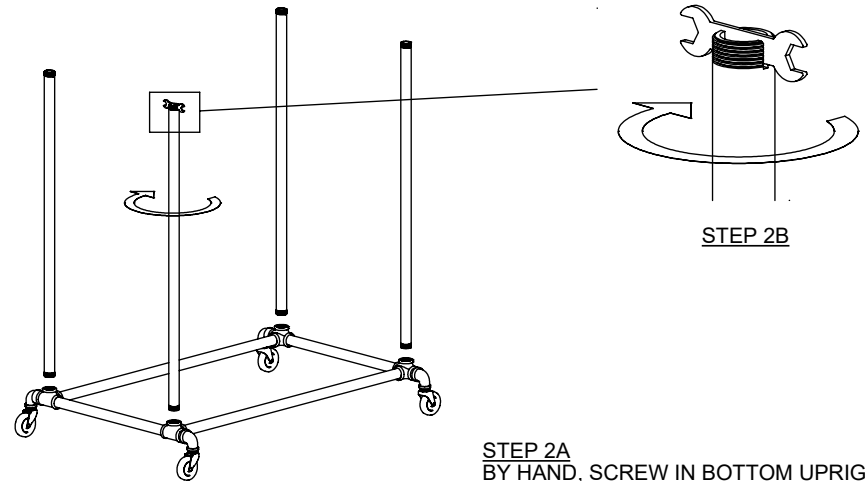
**EXPLODED VIEW**

**1**



SCREW IN THE CASTERS TO THE BASE AS SHOWN USING PROVIDED WRENCH.

**2**



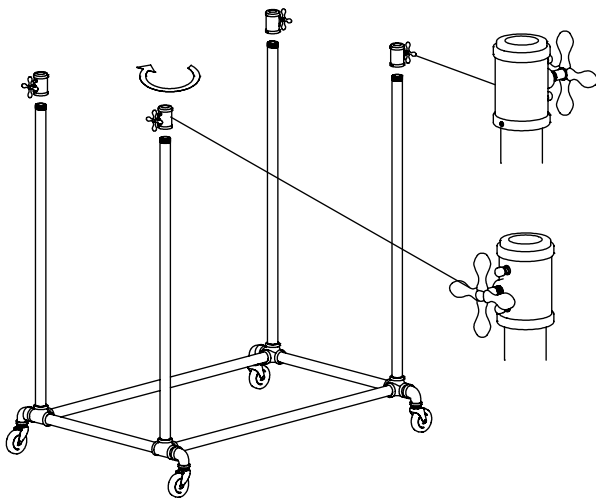
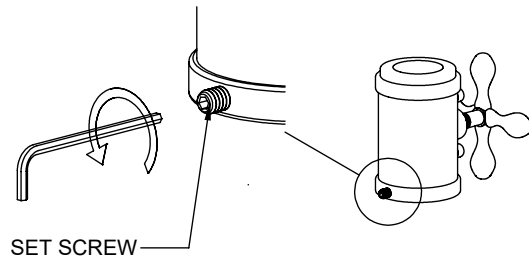
**STEP 2A**

**STEP 2A**  
BY HAND, SCREW IN BOTTOM UPRIGHTS.

**STEP 2B**  
TO FULLY TIGHTEN UPRIGHT, PLACE INCLUDED WRENCH INTO PIPE SLOTS AS SHOWN. TIGHTEN FULLY

3

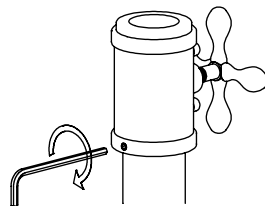
WITH ALLEN KEY, SLIGHTLY BACK OUT SET SCREWS ON ADJUSTABLE CONNECTORS.



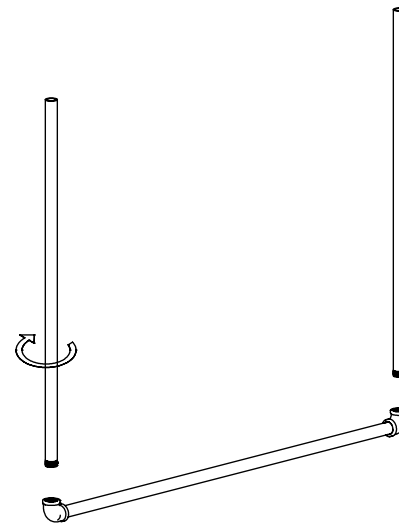
BY HAND, SCREW ADJUSTABLE CONNECTORS TO BOTTOM UPRIGHTS.

ADJUST SO THAT HAND WHEELS ALIGN TO THE OUTSIDE (AS SHOWN.)

TIGHTEN SET SCREW USING THE ALLEN KEY TO LOCK ADJUSTABLE CONNECTOR IN PLACE.

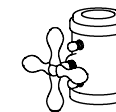
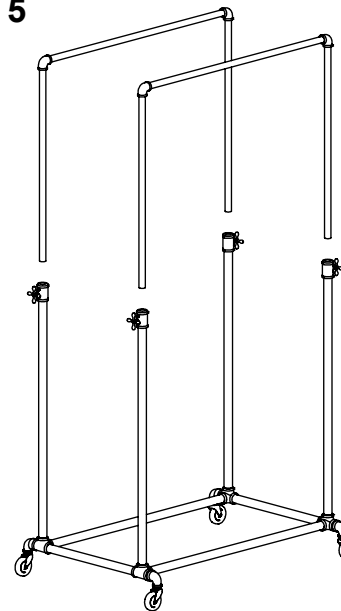


4

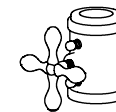


BY HAND, SCREW TOP UPRIGHTS TO HANGBAR.

5



LOOSEN



TIGHTEN

- LOOSEN HAND WHEEL ON BOTH SIDES
- DROP HANGBARS INTO DESIRED HEIGHT
- LOCK IN POSITION BY TIGHTENING THE HAND WHEEL ON BOTH SIDES