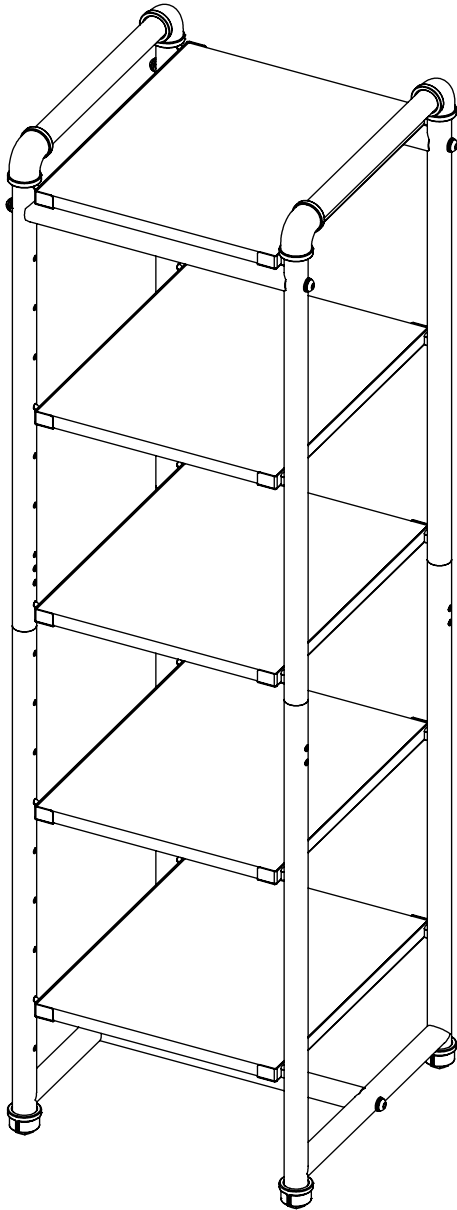
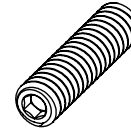


# PIPELINE ETAGERE

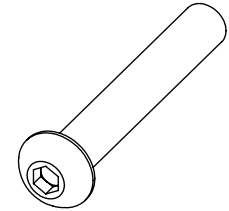
PSETG



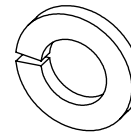
## INCLUDED HARDWARE



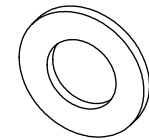
**16X**  
1/4"-20 x 1" L  
SET SCREW



**6X**  
3/8-16 X 2.5" L SOCKET BUTTON  
HEAD CAP SCREW

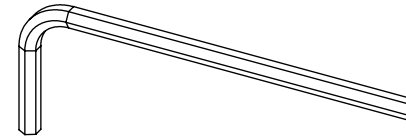


**6X**  
3/8" LOCK WASHER



**6X**  
3/8" FLAT WASHER

## TOOLS REQUIRED



**LARGE ALLEN KEY**

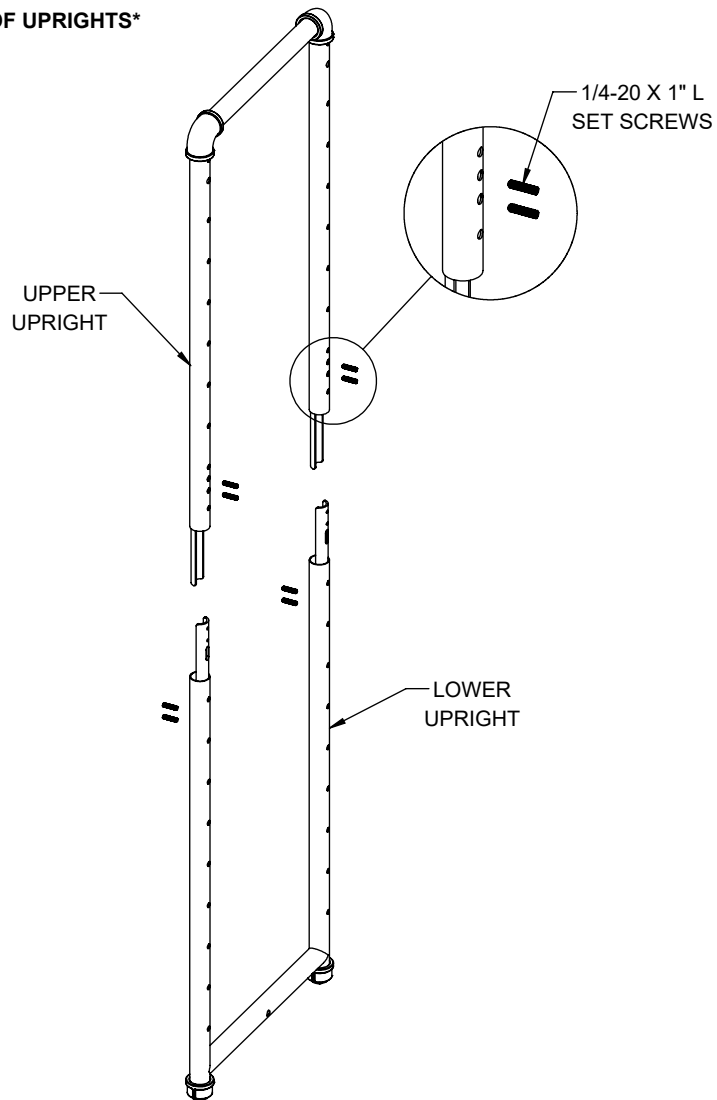


**SMALL ALLEN KEY**

**1**

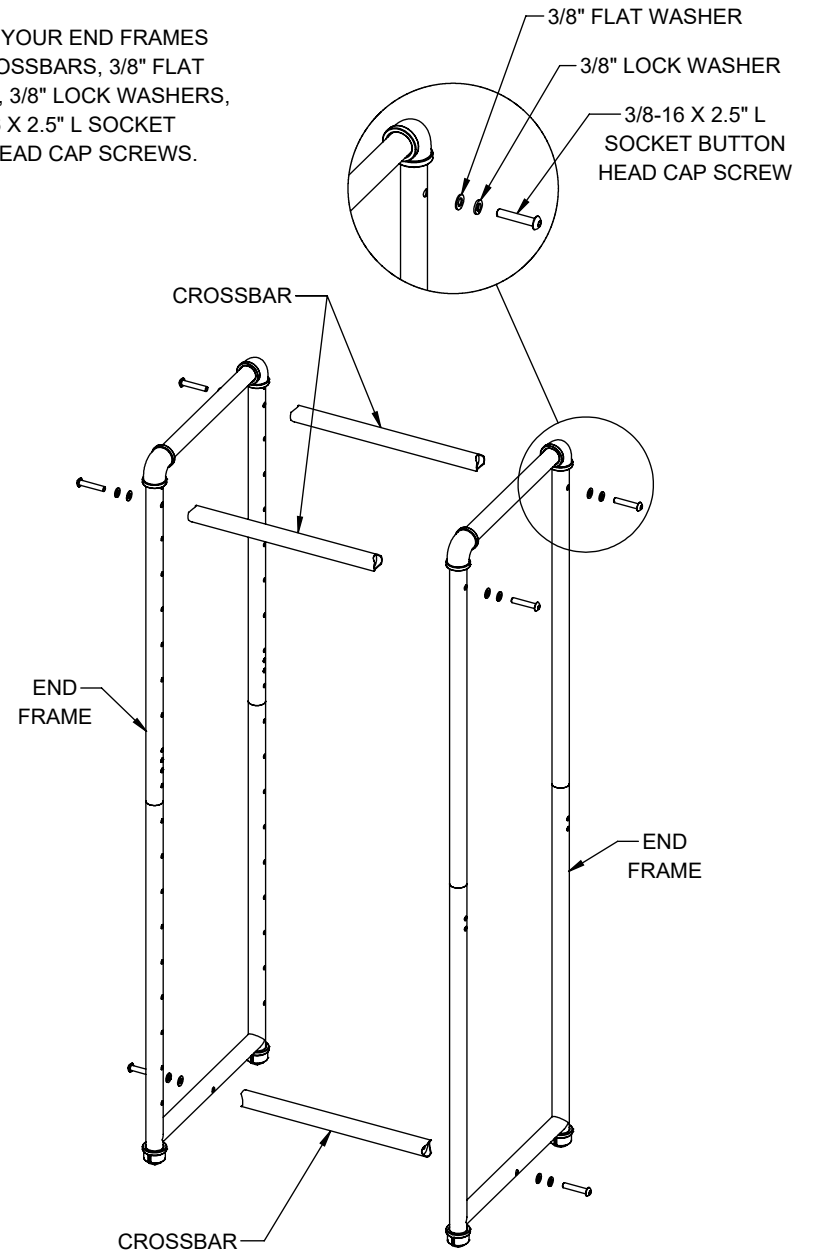
MOUNT LOWER UPRIGHT TO UPPER UPRIGHT USING 1/4-20 X 1" L SET SCREWS.

**\*REPEAT THIS STEP WITH OTHER SET OF UPRIGHTS\***



**2**

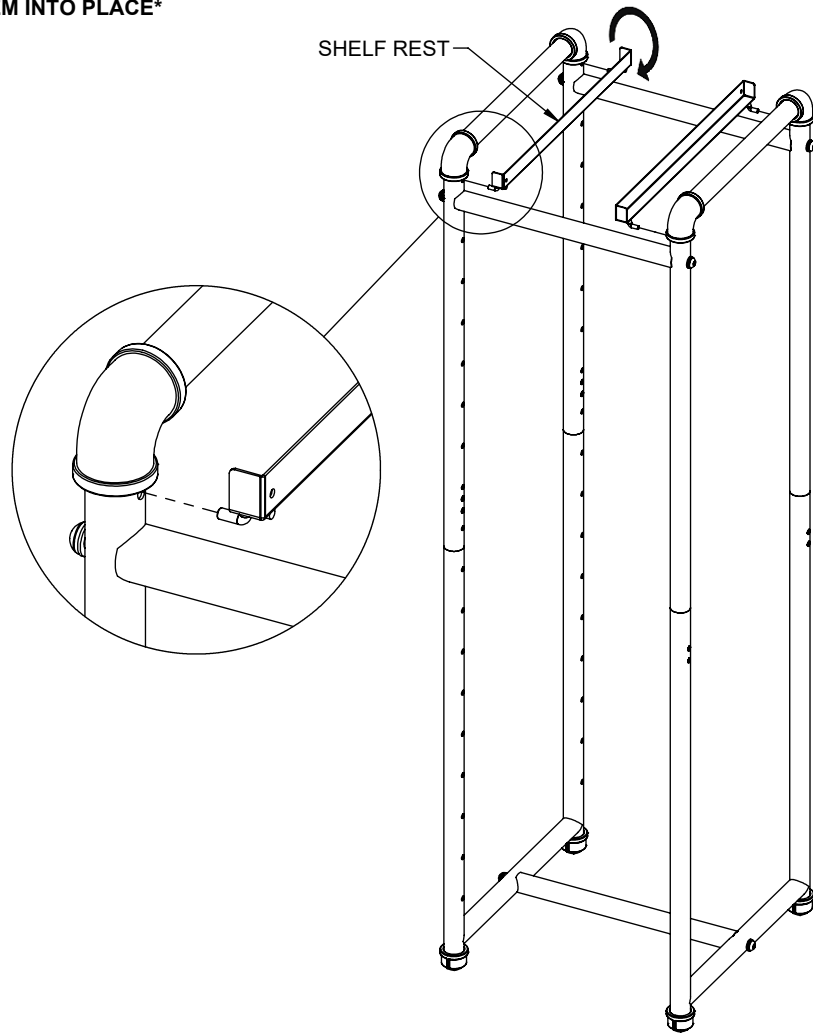
CONNECT YOUR END FRAMES USING CROSSBARS, 3/8" FLAT WASHERS, 3/8" LOCK WASHERS, AND 3/8-16 X 2.5" L SOCKET BUTTON HEAD CAP SCREWS.



**3**

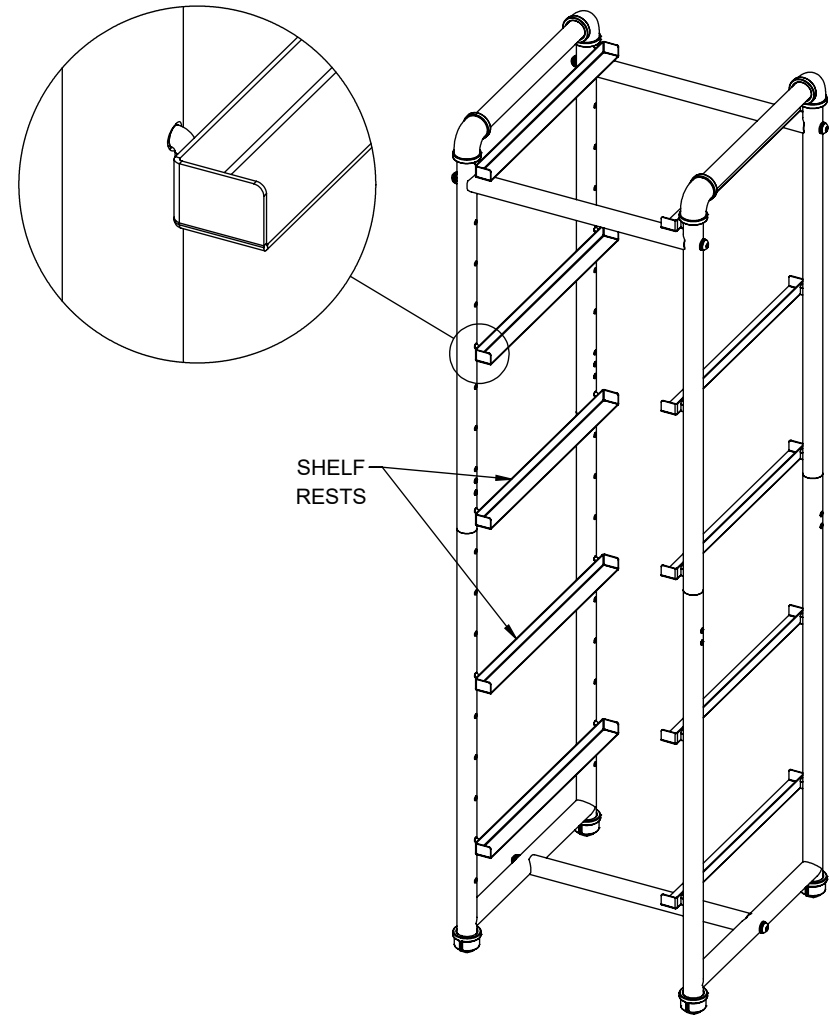
MOUNT SHELF RESTS IN THE TOP HOLES OF THE UPRIGHTS ABOVE THE UPPER CROSSBARS.

**\*NOTE: THE SHELF RESTS MUST BE ANGLED INTO THE HOLES, AND THEN ROTATED DOWN TO LOCK THEM INTO PLACE\***



**4**

MOUNT THE REMAINING SHELF RESTS AT THE DESIRED HEIGHTS FOLLOWING THE SAME DIRECTIONS AS SHOWN IN STEP 3.



**5**

PLACE WOODEN SHELF PANELS  
ONTO SHELF RESTS.

**\*ASSEMBLY IS NOW COMPLETE\***

