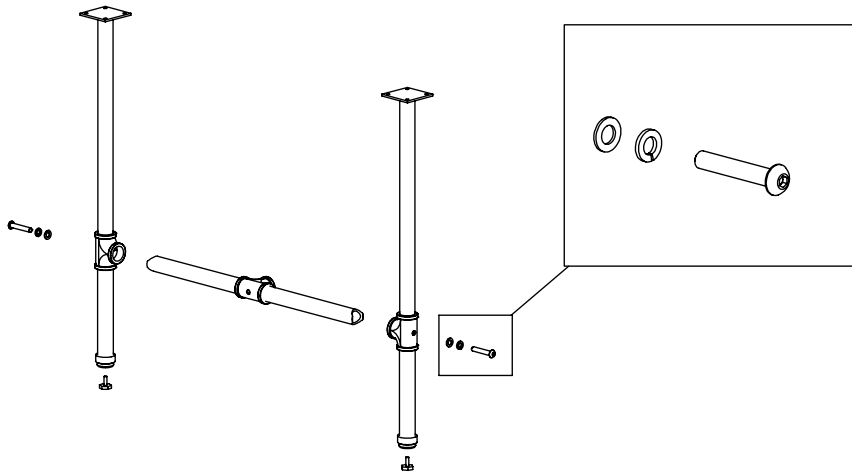
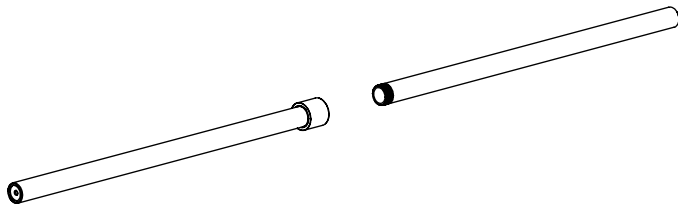


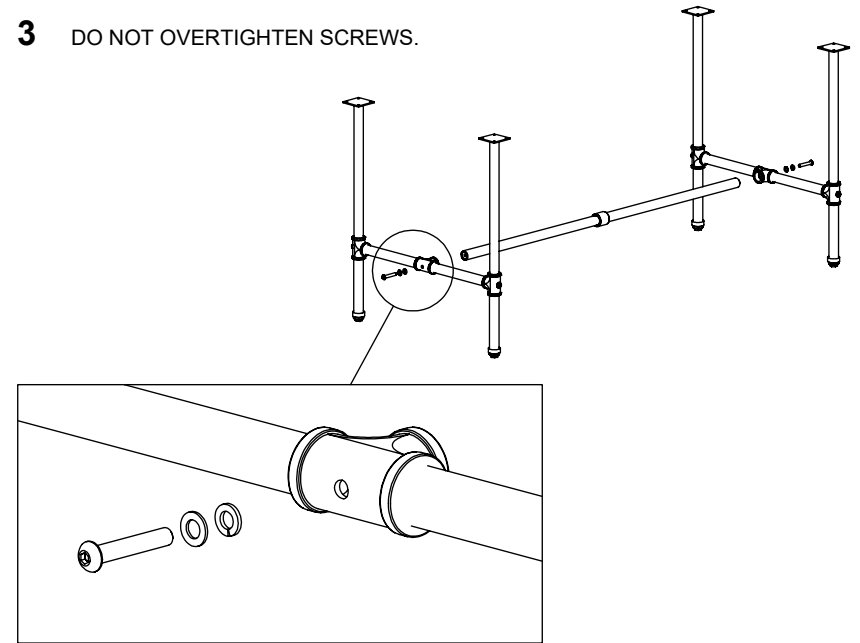
1 DO NOT OVERTIGHTEN SCREWS.



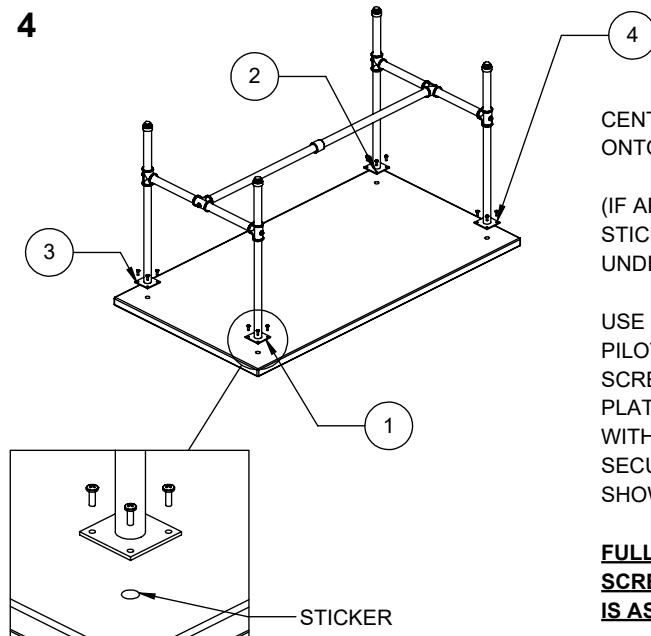
2



3 DO NOT OVERTIGHTEN SCREWS.



4



CENTER THE PIPE FRAME
ONTO TABLE TOP.

(IF APPLICABLE, USE THE 4
STICKERS ON THE
UNDERSIDE AS A GUIDE.)

USE 3/32" DRILL BIT TO DRILL
PILOT HOLES FOR WOOD
SCREWS (USING TABLE LEG
PLATE AS GUIDE). TIGHTEN
WITH WOOD SCREWS.
SECURE LEGS IN ORDER
SHOWN.

**FULLY TIGHTEN ALL
SCREWS AFTER TABLE TOP
IS ASSEMBLED.**