



Thank you!



We at Edhard Corp. would like to take this opportunity to thank you for your purchase. We realize you always have a choice and we will strive to remain yours. Our commitment to you is to provide customer service and technical assistance that equals the quality of our products.

With the proper care and minimal maintenance your Edhard Powerbase will provide years of valuable service. If you should have any questions, concerns or problems please do not hesitate to call or write us - we will do our best to help.

Toll free: 888.edhard.1 (888.334.2731) in US

Phone: 908.850.8444

Fax: 908.850.8445

E.mail: meter@edhard.com - for sales help

tech@edhard.com - for technical concerns

Again, we thank you for your purchase.

IMPORTANT SAFETY INSTRUCTIONS



PERSONAL INJURY / PRODUCT DAMAGE HAZARD

TO REDUCE THE RISK OF FIRE, ELECTRICAL SHOCK, PERSONAL INJURY OR PRODUCT DAMAGE WHEN USING THIS EQUIPMENT, FOLLOW BASIC PRECAUTIONS INCLUDING THE FOLLOWING:

1. READ ALL INSTRUCTIONS BEFORE OPERATING THIS EQUIPMENT!
2. TO PROTECT AGAINST RISK OF ELECTRICAL SHOCK, DO NOT PUT POWER BASE IN OR SPRAY WITH WATER OR OTHER LIQUID.
3. UNPLUG POWER BASE FROM ELECTRICAL OUTLET WHEN CLEANING.
4. KEEP HANDS AND FOREIGN OBJECTS OUT OF PUMP INLET AND OUTLET TO AVOID PERSONAL INJURY AND/OR DAMAGE TO EQUIPMENT.
5. DO NOT OPERATE POWER BASE WITH DAMAGED POWER CORD OR PLUG, OR AFTER UNIT HAS BEEN DROPPED OR DAMAGED IN ANY MANNER.
6. DO NOT USE AN EXTENSION CORD WITH THIS UNIT. SUCH USE MAY RESULT IN FIRE, ELECTRICAL SHOCK OR OTHER PERSONAL INJURY.

NOTICE:

USER ASSUMES ALL RESPONSIBILITY FOR SAFETY AND ANY USE NOT IN ACCORDANCE WITH THESE INSTRUCTIONS.

FAILURE TO FOLLOW THESE INSTRUCTIONS COULD RESULT IN FIRE, ELECTRICAL SHOCK OR OTHER PERSONAL INJURY.



OPERATING INSTRUCTIONS.

1. Plug line cord into a GROUNDED electrical outlet.
2. Insert spouts in Filler Unit (F.U.) and turn to lock in place.
3. Switch power ON.
4. Place F.U. onto Power Base. While holding F.U. down and against back of pump well, press "SE" to engage drive.
5. Place product in hopper. To insure consistent dosing, make sure product is free from lumps and air pockets.
6. To prime pump, press "PR", then press and hold Trip Arm until product has begun to exit the Spouts. Release Trip Arm.
7. To set amount to be dispensed enter a two (2) digit number (ex. 07, 25). Amount can be changed by keying in a new two digit number

NOTE: Amount setting is retained in Power Base memory when unit is switched OFF only after at least one cycle has run.

8. To begin dispensing, press Trip Arm.
NOTE: A slight reverse motion is programmed into Power Base. This helps eliminate dripping.

INSTRUCTIONS TO CHANGE PARAMETERS.

The following 4 steps will allow access to any one of the 5 changeable parameters.

NOTE: Steps A-D must be repeated to access each separate parameter.

Step A. Switch power OFF. Press and hold "9" and switch power ON. Display will show **U**.

Step B. Within 1.5 seconds press "PR" - display will show **UU**. If "PR" is not pressed within 1.5 seconds, changes to parameters will not be allowed and system will return to prior mode (Normal, Automatic or Continuous).

Step C. Press "8". If any other key is pressed, changes to parameters will not be allowed and the system will return to its prior mode (Normal, Automatic, Continuous).

Step D. Press one of the following keys to access desired parameter:

- Key 1 = Reverse
- Key 2 = Resolution
- Key 3 = Automatic Cycling
- Key 4 = Continuous
- Key 5 = Reset

REVERSE.

Enter the desired reverse value from 1-99. Enter "0" for no reverse. Press "PR" to enter your selection in memory. Press "SE" to return to prior mode.

RESOLUTION.

Enter the desired resolution value from 1-99. Press "PR" to enter selection in memory. Press "SE" to return to your prior mode.

AUTOMATIC CYCLING.

Press "3" to toggle between ON(1) and OFF(0). Dispensing and waiting times must both be entered for this mode to function.

Dispensing time. Press "3" to display 1 (ON) and press "PR". Enter desired dispensing time from 1-99 and press "PR". Display will switch to waiting time.

Waiting Time. Enter desired waiting time from 1-99 and press "PR". Display will switch to dispensing time number and it will be blinking. To begin cycling press trip arm. Press again to stop.

To change dispensing time. Stop cycling. Enter a new dispensing time. Press trip arm to begin cycling.

To change waiting time. Stop cycling. Press "PR" and enter a new waiting time. Press "PR" and dispensing time will be blinking. Press trip arm to begin cycling.

To exit automatic cycling. Follow Steps A-D. Press 4 to display 0(OFF). Press "PR" to resume normal mode.

CONTINUOUS DISPENSING

Press "4" to switch this mode between "1"=ON or "0"=OFF. Press "4" to display "1" and then press "PR". Display will now show **CC**. Press trip arm and hold to dispense. Release trip arm stop dispensing. To exit continuous mode. Follow steps A-D. Press "4" to display "0". Press "PR" - unit will return to normal cycle mode.

TEST MODE – RESET PARAMETERS TO FACTORY SETTINGS

Press "5" and display will step through all numbers from "00" to "99". When "99" is reached display will reset to "1" and begin cycling on its own. Switch power OFF and then ON. Now all parameters are reset to factory settings and system is in Normal Mode.

CLEANING POWER BASE.

WARNING:

- ✓ DO NOT PLACE POWER BASE IN WATER OR ANY OTHER LIQUID!
- ✓ DO NOT SPRAY POWER BASE WITH WATER!
- ✓ DO NOT CLEAN POWER BASE WITH SOLVENTS OR CHEMICALS!
- ✓ UNPLUG POWER BASE BEFORE CLEANING. CLEAN EXTERIOR USING A DAMP CLOTH ONLY!
- ✓ MAKE SURE THAT YOUR PUMP/FILLER UNIT IS PROPERLY MAINTAINED - THIS IS ESSENTIAL TO KEEPING YOUR POWER BASE RUNNING CLEANLY AND EFFICIENTLY!

MAINTENANCE and SERVICE.

Edhard Power Bases are designed to be maintenance free. If, in time, your Power Base should require service:

In North America:

Package the machine carefully in a box with adequate cushioning. Attach a note detailing the problem with the unit, your name, company name, address and phone number.

Ship the unit to :

Edhard Corp
279 Blau Road
Hackettstown, NJ 07840

Usual turnaround time is 24 hrs. from receipt of unit.

Outside North America:

Contact your dealer.

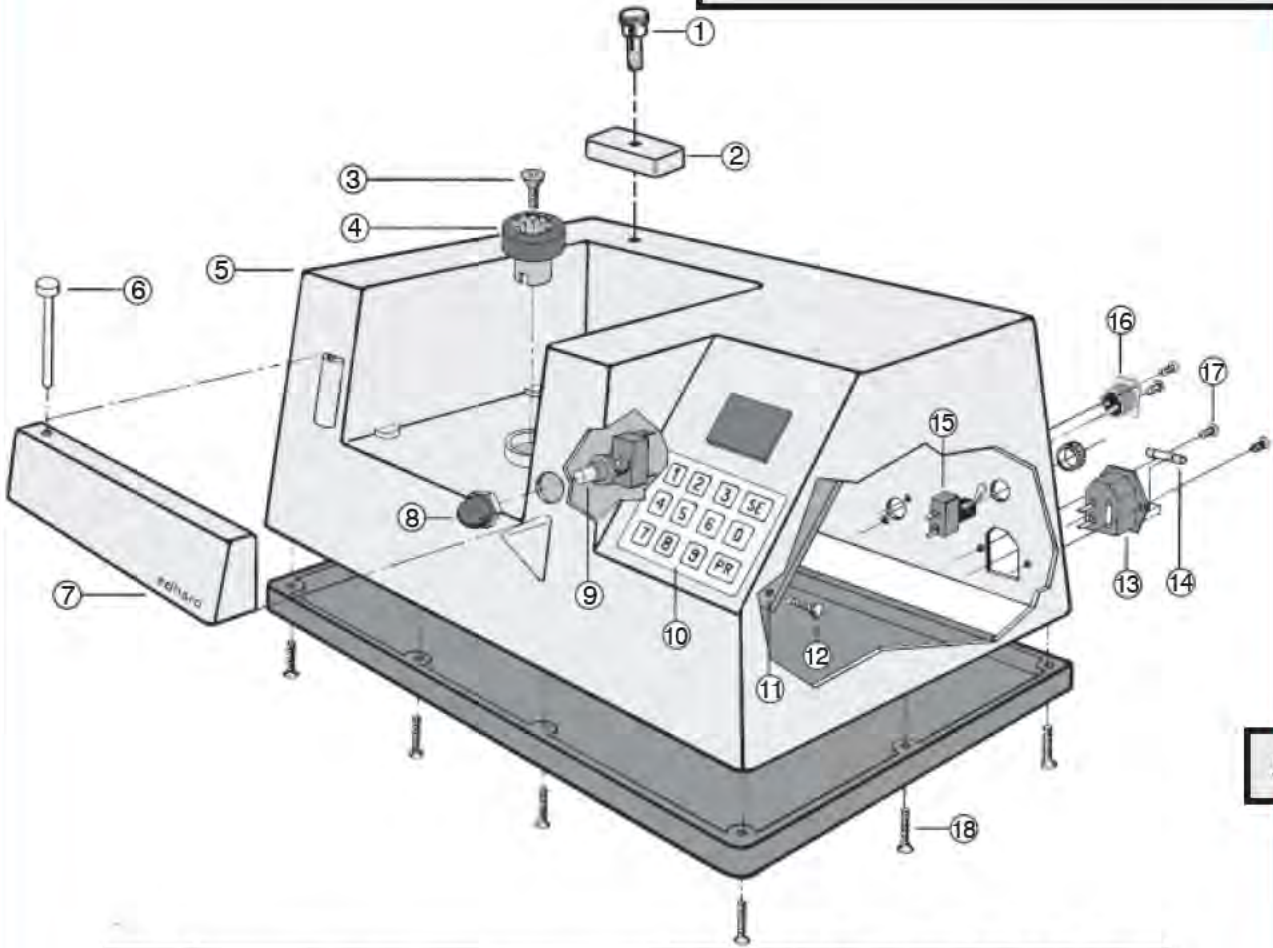
One Year Limited Warranty

Edhard Corp. warrants that the Power Base will be free from defects in material and workmanship for the period of one (1) year from the date of purchase. This warranty is limited to the original user and is not transferable. Warranty is void if the unit has been damaged by accident, unreasonable use, neglect, or improper service or alteration.

During the above One-Year Warranty period, a defective unit will be replaced or repaired at the discretion of Edhard Corp. The Power Base must be returned, freight charges prepaid, to Edhard Corp.

Please register your power base online at www.edhard.com or send the attached warranty registration card to Edhard Corp.

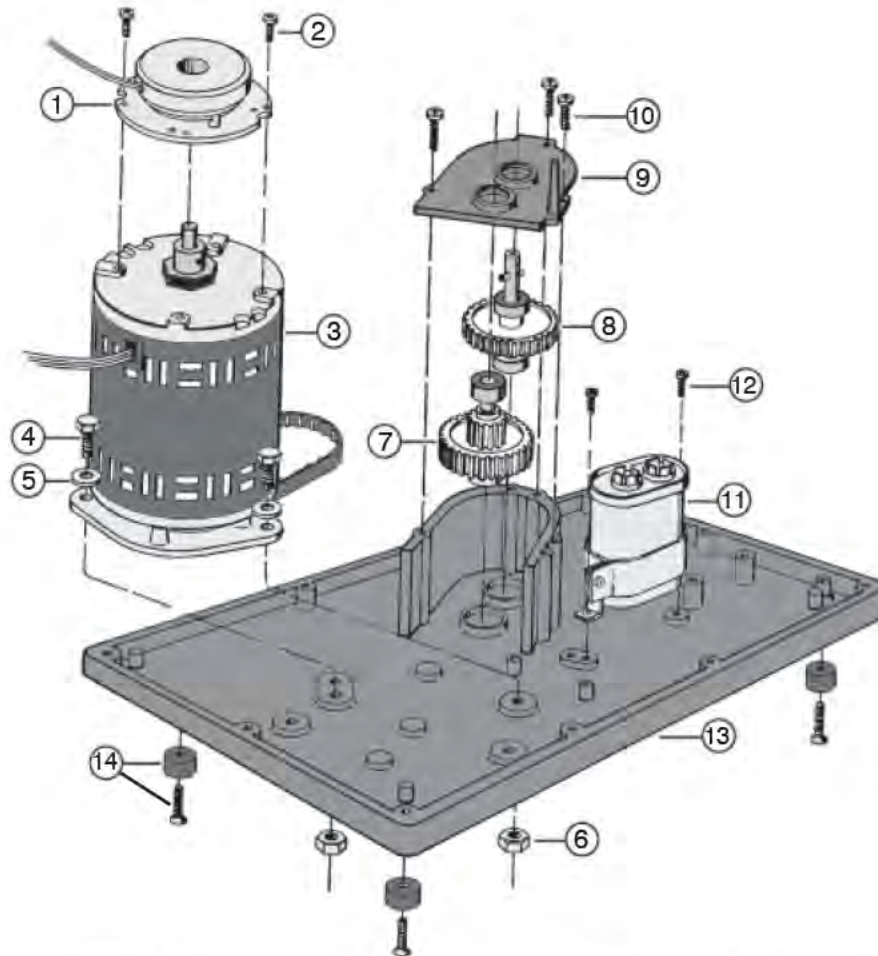
Power Base Housing Assembly
Model MK, MKH, MKS



5

| Ref. No. | Description | Qty. | Part Number for Model: | | |
|----------|------------------------------------|------|------------------------|---------|---------|
| | | | MK | MKH | MKS |
| 1 | Thumb Screw | 1 | PS-2512 | PS-2512 | PS-2512 |
| 2 | Safety Clamp | 1 | PS-2511 | PS-2511 | PS-2511 |
| 3 | Screw | 1 | P-2118 | P-2118 | P-2118 |
| 4 | Pump Driver Assembly | 1 | P-3029 | P-3054 | PS-3146 |
| 5 | Power Base Housing | 1 | P-3028 | P-3028 | PS-3170 |
| 6 | Trip Pin | 1 | P-2046 | P-2046 | P-2046 |
| 7 | Trip Arm Assembly | 1 | P-3030 | P-3030 | P-3030 |
| 8 | Boot | 1 | P-2072 | P-2072 | P-2072 |
| 9 | Trigger Switch | 1 | P-2141 | P-2141 | P-2141 |
| 10 | Keypad | 1 | P-2085 | P-2085 | P-2085 |
| 11 | Timer Board 120V | 1 | P-3700 | P-3710 | PS-3708 |
| | Timer Board 220V | 1 | N/A | P-3711 | PS-3709 |
| 12 | Screw | 5 | P-2116 | P-2116 | P-2116 |
| 13 | Receptacle (Power Cord) | 1 | P-2628 | P-2628 | P-2628 |
| 14 | Fuse | 2 | P-2601 | P-2601 | P-2616 |
| 15 | On/Off Switch | 1 | P-2142 | P-2142 | P-2142 |
| 16 | Receptacle (Footswitch/Hose) Assy. | 1 | P-3333 | P-3333 | P-3333 |
| 17 | Screw | 4 | P-2186 | P-2186 | P-2186 |
| 18 | Screw | 10 | P-2115 | P-2115 | P-2115 |

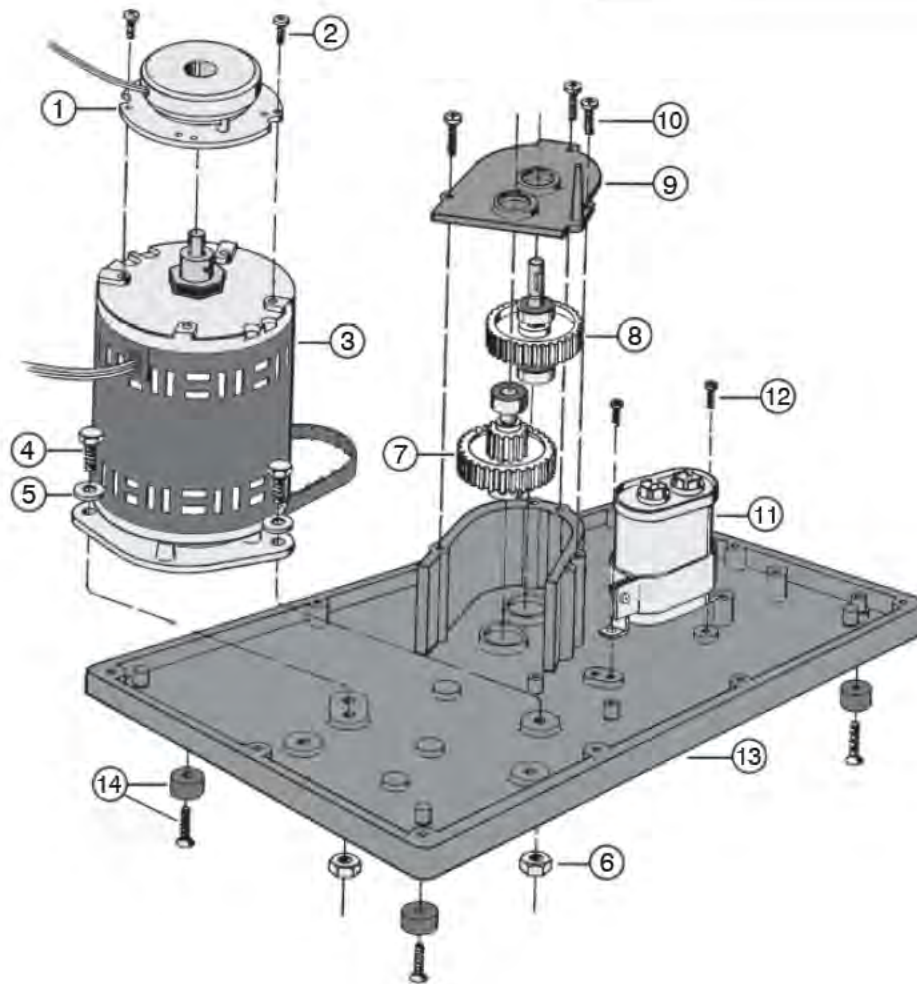
Base Assembly Model MK



6

| Ref. No. | Description | Qty. | Part Number |
|----------|-----------------------|------|-------------|
| 1 | Brake Assembly | 1 | P-3062 |
| 2 | Screw | 2 | P-2187 |
| 3 | Motor Assembly | 1 | P-3019 |
| 4 | Motor Bolt | 2 | P-2121 |
| 5 | Washer | 2 | P-2124 |
| 6 | Nut | 2 | P-2122 |
| 7 | Gear & Idler Assembly | 1 | P-3021 |
| 8 | Output Gear Assembly | 1 | P-3022 |
| 9 | Gearbox Cover | 1 | P-2035 |
| 10 | Screw | 3 | P-2120 |
| 11 | Capacitor Assembly | 1 | P-3033 |
| 12 | Screw | 2 | P-2116 |
| 13 | Base | 1 | P-2037 |
| 14 | Rubber Foot Assembly | 4 | P-3423 |

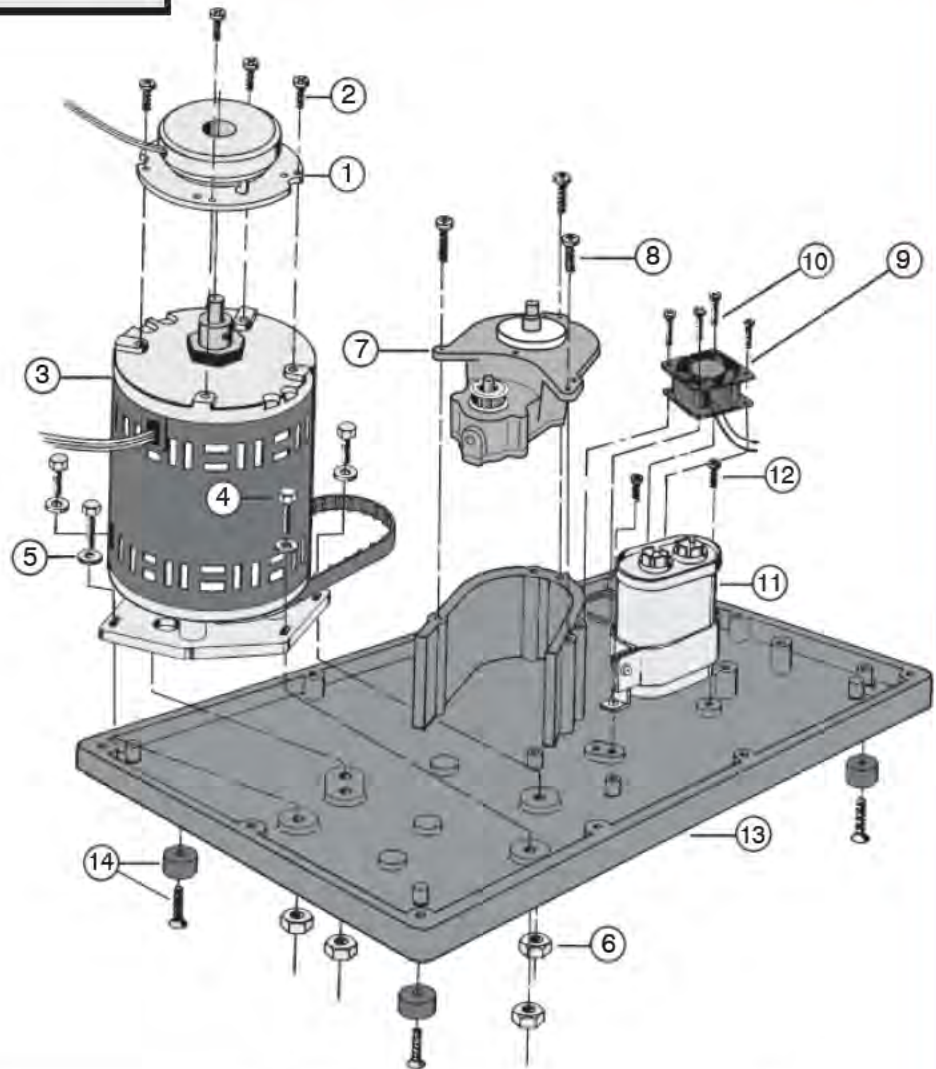
Base Assembly Model MKH



7

| Ref. No. | Description | Qty. | Part Number for Model MKH | |
|----------|-----------------------|------|---------------------------|-----------|
| | | | 120V/60Hz | 220V/50Hz |
| 1 | Brake Assembly | 1 | P-3062 | P-3083 |
| 2 | Screw | 2 | P-2187 | P-2187 |
| 3 | Motor Assembly | 1 | P-3020 | P-3082 |
| 4 | Motor Bolt | 2 | P-2121 | P-2121 |
| 5 | Washer | 2 | P-2124 | P-2124 |
| 6 | Nut | 2 | P-2122 | P-2122 |
| 7 | Gear & Idler Assembly | 1 | P-3051 | P-3079 |
| 8 | Output Gear Assembly | 1 | P-3052 | P-3078 |
| 9 | Gearbox Cover | 1 | P-2035 | P-2035 |
| 10 | Screw | 3 | P-2120 | P-2120 |
| 11 | Capacitor Assembly | 1 | P-3027 | P-3033 |
| 12 | Screw | 2 | P-2116 | P-2116 |
| 13 | Base | 1 | P-2037 | P-2037 |
| 14 | Rubber Foot Assembly | 4 | P-3423 | P-3423 |

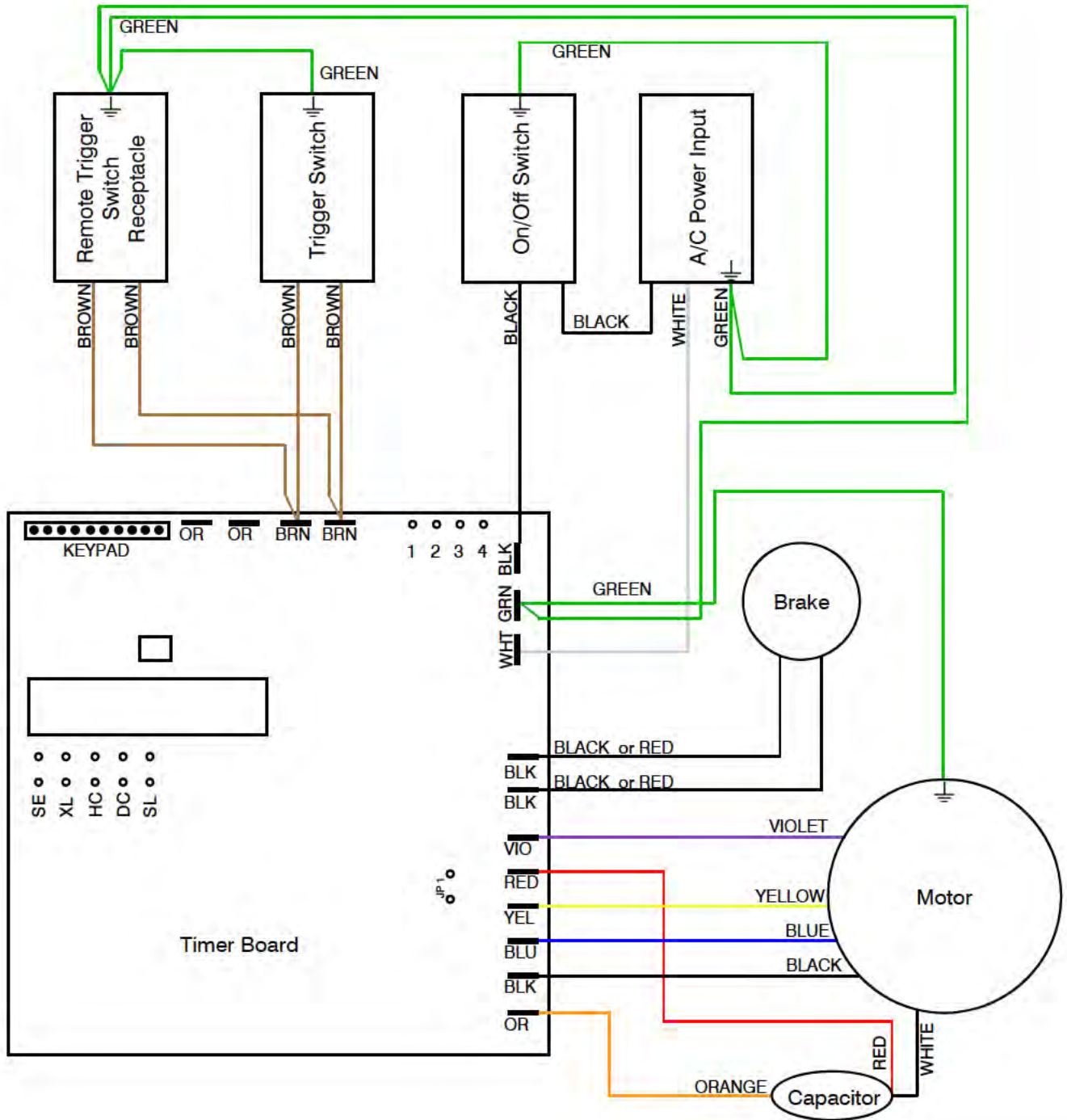
Base Assembly Model MKS



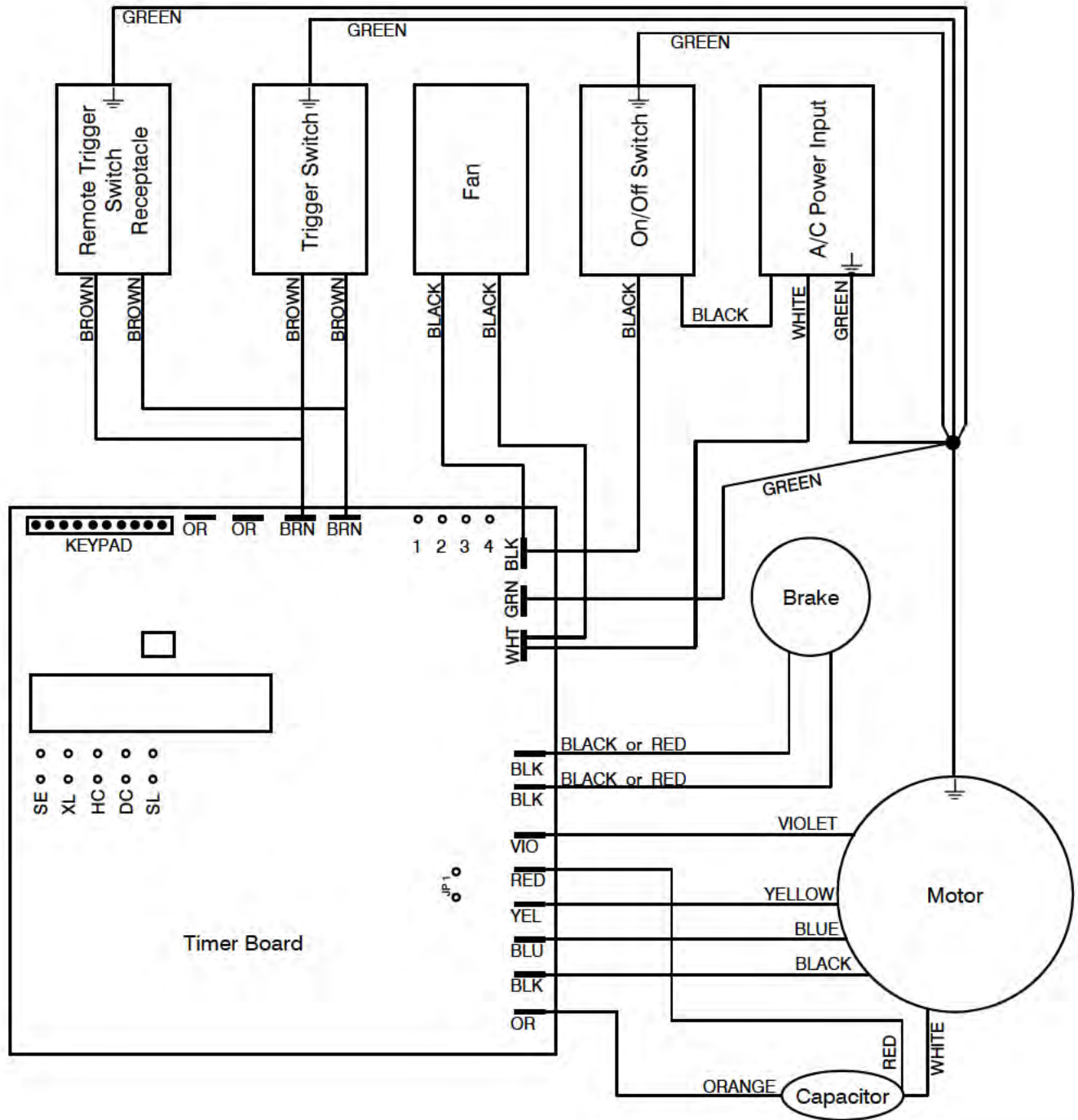
8

| Ref. No. | Description | Qty. | Part Number for Model MKS | |
|----------|----------------------|------|---------------------------|-------------|
| | | | 120V - 60Hz | 220V - 50Hz |
| 1 | Brake Assembly | 1 | PS-3205 | PS-3206 |
| 2 | Screw | 4 | P-2187 | P-2187 |
| 3 | Motor Assembly | 1 | PS-3163 | PS-3165 |
| 4 | Motor Bolt | 4 | P-2121 | P-2121 |
| 5 | Washer | 4 | P-2124 | P-2124 |
| 6 | Nut | 4 | P-2122 | P-2122 |
| 7 | Gearbox Assembly | 1 | PS-3162 | PS-3162 |
| 8 | Screw | 3 | P-2120 | P-2120 |
| 9 | Fan Assembly | 1 | PS-2402 | PS-2401 |
| 10 | Screw | 4 | P-2116 | P-2116 |
| 11 | Capacitor Assembly | 1 | PS-3177 | PS-3176 |
| 12 | Screw | 2 | P-2116 | P-2116 |
| 13 | Base | 1 | P-2037 | P-2037 |
| 14 | Rubber Foot Assembly | 4 | P-3423 | P-3423 |

WIRING DIAGRAM MODELS: MK, MKH



WIRING DIAGRAM MODELS: MKS



IMPORTANT INFORMATION

| Important Ownership Information Please fill out and retain for your records. | |
|--|--|
| Model: | |
| Serial No: | |
| Date Purchased: | |
| Purchased from: | |

In need of assistance?

Please give us a call:

In the US - 888.edhard.1

(888.334.2731)

Elsewhere - 908.850.8444

7:00am-3:30pm EST

e-mail us:

tech@edhard.com

Please make sure to provide the ownership information you have recorded at left.

Use this table to record settings for your most frequently used products.

| Product | Setting | Reverse | Resolution |
|---------|---------|---------|------------|
| | | | |
| | | | |
| | | | |
| | | | |
| | | | |
| | | | |
| | | | |
| | | | |



edhard

Edhard Corp.
279 Blau Road
Hackettstown, NJ 07840 • USA
Tel: 908.850.8444 • Fax: 908.850.8445
Toll Free (in USA): 888.edhard.1
www.edhard.com