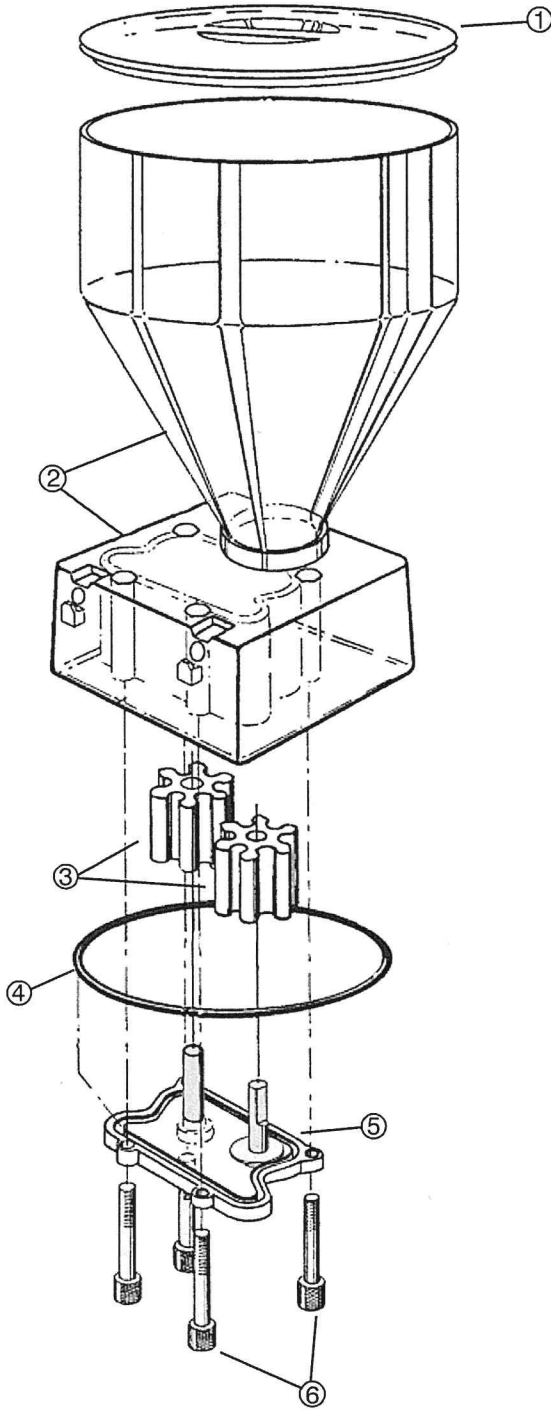


F-Series Filler Unit
Double Outlet Assembly



9

Ref. No.	Description	Qty.	Part Number for:	
			6 Qt./5.5L	18Qt./17L
1	Lid	1	F-2152	F-2261
2	Bowl & Housing Assembly	1	F-3006	F-3058
3	Impeller Set	1	F-3002	
4	Cover Seal (O-Ring)	1	F-2076	
5	Pump Cover Assembly	1	F-3001	
6	Thumb Screw	4	F-2034	