

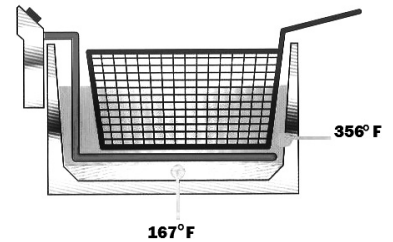


FRYING

CONCEPT

COUNTERTOP FRYERS

- Fast heat rise
- Easy to disassemble for cleaning
- Night cover to keep the fryer clean
- Built-in safety thermostat
- Stainless steel construction
- Baskets are fitted with heat resistant handles



SMALL FRY

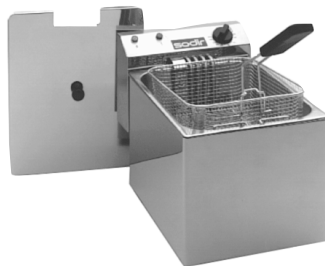
RF5S
120 V
Compact Design - Big Taste



OIL CAPACITY:
10 lbs / 1 basket
FRESH FRIES OUTPUT:
up to 22 lbs / hr

FRY RITE

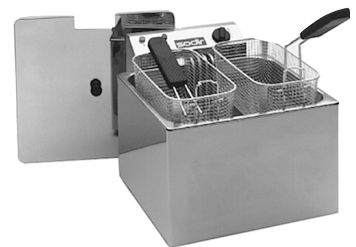
RF8SP
208/240 V
Portable Commercial Fryer



OIL CAPACITY:
15 lbs / 1 basket
FRESH FRIES OUTPUT:
up to 40 lbs / hr

MIGHTY MAX

RF12SP
208/240 V
Compact Professional Fryer



OIL CAPACITY:
25 lbs / 1 or 2 baskets
(specify when ordering)
FRESH FRIES OUTPUT:
up to 50 lbs / hr



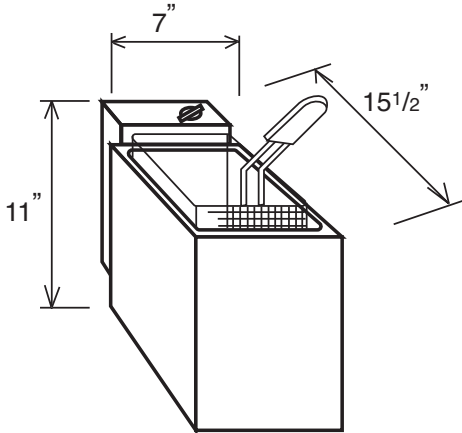
765 WESTMINSTER STREET PROVIDENCE, RI 02903
TEL: (401)273-3300 FAX: (401)273-3328 E-mail: sales@equipex.com
www.equipex.com



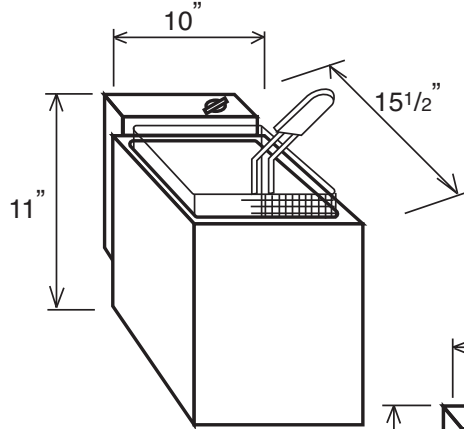
COUNTERTOP FRYERS



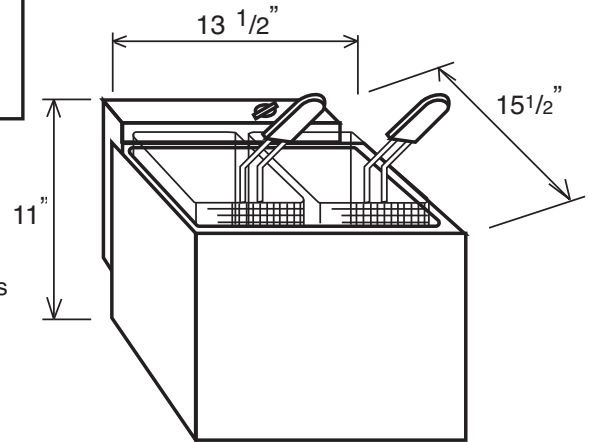
RF5S



RF8SP



* RF12SP



* available with 1 or 2 baskets (specify when ordering)

SPECIFICATIONS

MODEL	ELECTRICAL	DIMENSIONS	BASKET DIMENSIONS	SHIPPING WEIGHT	NEMA PLUG
RF5S	120V, 1.75KW, 15 Amps	7"Wx15 1/2"Dx11"H	5"Wx10"Dx4"H	20 lbs	5-15 P
RF8SP	208/240V, 1PH, 5KW, 22/24 Amps	10"Wx15 1/2"Dx11"H	8"Wx10"Dx4"H	25 lbs	L6-30 P
RF12SP	208/240V, 1PH, 6.5KW, 28/31 Amps	13 1/2"Wx15 1/2"Dx11"H	12"Wx10"Dx4"H	30 lbs	6-50 P

WARRANTY: Limited one year parts and labor



765 WESTMINSTER STREET PROVIDENCE, RI 02903
TEL: (401)273-3300 FAX: (401)273-3328 E-mail: sales@equipex.com
www.equipex.com