

Quick Start Guide

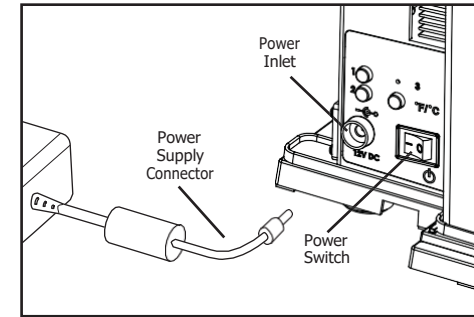


MODEL # 0606

Before Using for the First Time

1. Carefully unpack the TOUCH FREE CHILLER™ from the box.
2. Read all of the instructions included in this manual.
3. Remove all the packaging materials.
4. Make sure the TOUCH FREE CHILLER™ is unplugged and the power switch is in the OFF position.
5. Wipe exterior surfaces with a damp cloth. Dry thoroughly with a soft cloth. DO NOT use harsh or abrasive cleaners as these can damage exterior surfaces.
6. Before first use, the TOUCH FREE CHILLER™ Refillable Container should be hand washed in warm, soapy water or in the dishwasher.
7. Thoroughly dry the Refillable Container and lid.

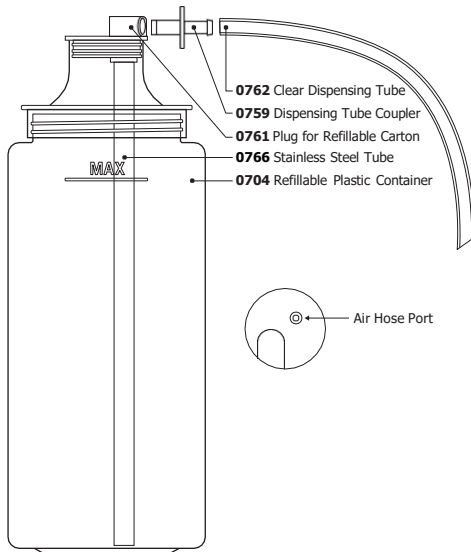
1



Plug the Power Supply Connector into the Power Inlet on the TOUCH FREE CHILLER™ control panel. Connect the power supply on the power cord and plug it into the wall outlet. Set the Power Switch to ON.

2

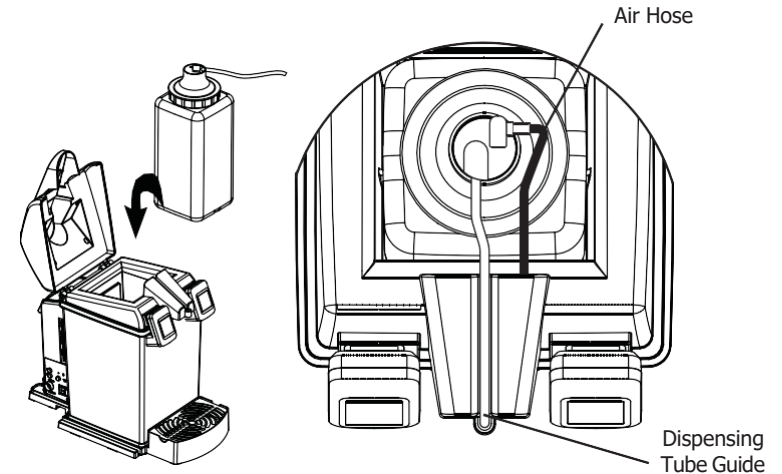
Disposable Dispenser Set for Refillable Containers



How to Insert Dispensing Set into the Refillable Plastic Container:

1. Unscrew lid from container.
2. Fill container with dairy product up to MAX Fill Line.
3. Screw on lid.
4. Insert dispensing set for plastic container with attached stainless steel tube into opening in lid. Insert the plug assembly by positioning the smaller hole at 12 o'clock and the raised hole at 6 o'clock.
5. The TOUCH FREE CHILLER™ can now be loaded with Refillable Plastic Container filled with product.

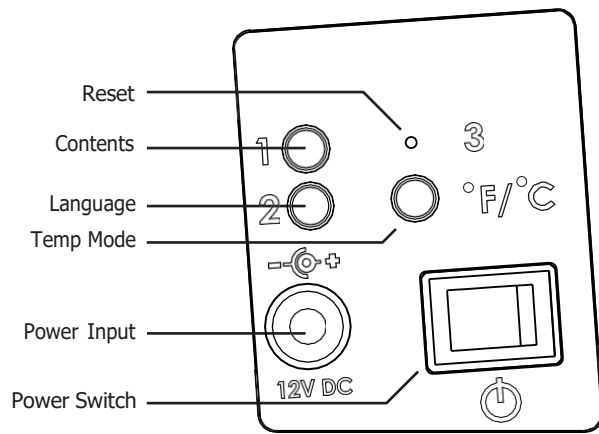
3



How to load the container into the TOUCH FREE CHILLER™:

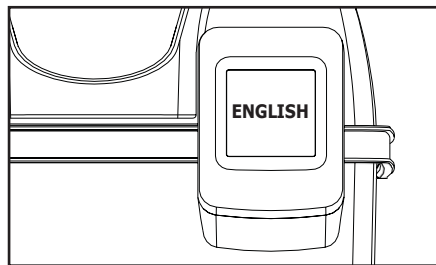
1. Lift the lid by pulling upward on the dispensing spout.
2. Orient the container so that the smaller of the two holes of the plug inserted in the milk container is pointing to the front of the machine.
3. Insert the container into the chilling chamber until it sits on the bottom surface. Insert short flexible tube into the plug.
4. Insert the Air Hose Fitting into the smaller of the two open holes. The small hole with the Air Hose Fitting should be in the 12 o'clock position. Press down for a tight fit.
5. Lower the lid to close the machine.

(continued)



Shown above is the Control Panel, located on the left side of the TOUCH FREE CHILLER™.
 NOTE: TOUCH FREE CHILLER™ must be initialized before use by first setting the language.

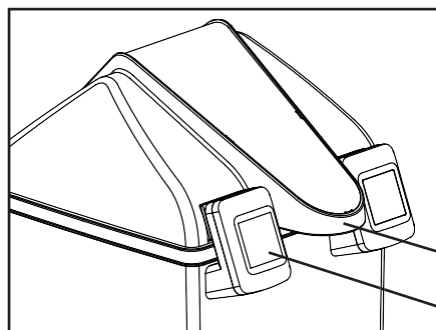
5 Language Button (Button 2)



The TOUCH FREE CHILLER™ is programmed for use worldwide. The LCD displays the dairy contents in 3 different languages.
 The Language Button sets the language in which the dairy contents are displayed. Pressing this button cycles through the 3 language options: ENGLISH, SPANISH, FRENCH

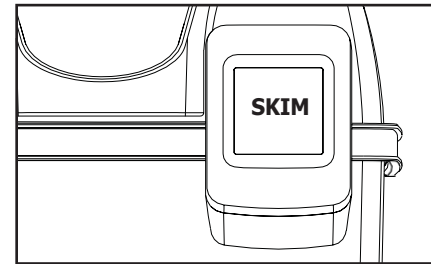
To change the LANGUAGE display: Press the LANGUAGE button to cycle through the languages, stopping on the desired type to display.
 To set the LANGUAGE: Stop pressing the Language Button when the desired language is displayed.

7 Dispensing Dairy Product (Touch Free Sensor)



The sensor on the left side of the TOUCH FREE CHILLER™ causes the dairy product to be delivered through the dispensing spout. Product will be delivered for as long as it senses a hand over the sensor. There might be a slight delay before delivery begins.

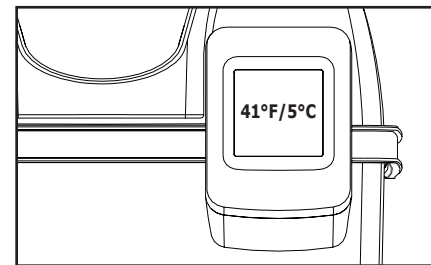
4 Contents Button (Button 1)



The Contents Button sets the display to show the contents of the container in the TOUCH FREE CHILLER™.
 Pressing the button cycles through 8 types of product: SKIM, 1/2 & 1/2, WHOLE, SOY, ALMOND, COCONUT, LACTOSE FREE,[BLANK].

To Change the CONTENTS display: Press the CONTENTS button to cycle through the PRODUCTtypes, stopping on the desired type to display.
 To set the CONTENTS: Stop pressing the Contents Button when the desired dairy type is displayed.

6 Temperature Mode Button - for operator use only.



Pressing and holding the Temperature Display button shows the temperature of the dairy product on the LCD in °F and °C. This is for inspection purposes only. Releasing the button returns the display to the last setting.

Power Input - connector for the power supply provided with the unit.
Power Switch - ON / OFF power switch. When the TOUCH FREE CHILLER™ is powered off and on, the display retains its last setting.

Frieling USA, Inc.
 Fort Mill, SC 29715
 803.548.2000 PH
 803.548.2060 FX
 800.827.2582 TF
 foodservice@frieling.com

touchfreechiller.com

© 2022 Frieling USA, Inc.
 All rights reserved.