



Model S13A



Model #: _____

Serial #: _____



Intertek



Intertek



MADE IN THE U.S.A.

Instruction Manual for the Globe Slicer Model: S13A

For Service on Your Slicer, call Globe Technical Support at 1-866-260-0522.

Visit our website for information on additional products available from Globe.

www.globefoodequip.com

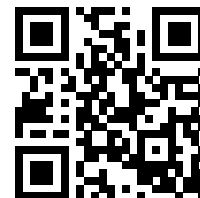
Slicers, Mixers, Countertop Cooking Equipment, Meat Choppers & Scales

- IMPORTANT SAFETY NOTICE -

This manual contains important safety instructions that must be strictly followed when using this equipment.

WARRANTY REGISTRATION
SCAN THE QR CODE WITH YOUR MOBILE DEVICE OR GO TO
WWW.GLOBEFOODEQUIP.COM
TO FILL OUT AND SUBMIT YOUR WARRANTY REGISTRATION.

WWW.GLOBEFOODEQUIP.COM/SUPPORT/WARRANTY-REGISTRATION-FORM



Index

ATTENTION OWNERS AND OPERATORS.....	4
KEY COMPONENTS OF THE SLICER	5
GLOBE SLICER SAFETY TIPS	6
INSTALLATION	7-8
OPERATING INSTRUCTIONS.....	9-10
CLEANING & SANITIZING.....	11-14
KNIFE SHARPENING	15-16
INSPECTIONS, SIMPLE MAINTENANCE AND REPAIR	17-18
MAINTENANCE MODE.....	19-21
TROUBLESHOOTING GUIDE.....	22
LIMITED SLICER WARRANTY.....	24



GLOBE FOOD EQUIPMENT CO.
2153 DRYDEN RD.
DAYTON, OH 45439
Toll Free: 800-347-5423
PHONE: 937-299-5493
FAX: 937-299-8623
E-MAIL: info@globefoodequip.com
WEBSITE: www.globefoodequip.com

Attention Owners and Operators

Globe's equipment is designed to provide years of safe and productive processing of food products as long as the equipment is used in accordance with the instructions in this manual and is properly maintained. Importantly, unless the operator is adequately trained and supervised, there is a possibility of serious injury. Owners of this equipment bear the responsibility to make certain that this equipment is used properly and safely. Strictly follow all of the instructions contained in this manual and the requirements of local, state and federal law.

Owners should not permit anyone to touch this equipment unless they are over 18 years of age, are adequately trained and supervised, and have read and understand this manual. Owners should also ensure that no customers, visitors or other unauthorized personnel come in contact with this equipment. Please remember that Globe cannot anticipate every circumstance or environment in which its equipment will be operated. It is the responsibility of the owner and the operator to remain alert to any hazards posed by the function of this equipment, particularly the sharp knife blade and all moving parts. If you are ever uncertain about a particular task or the proper method of operating this equipment, ask your supervisor.

To prevent illness caused by the spread of food-borne pathogens, it is important to properly clean and sanitize the entire slicer as any surface of the slicer can become contaminated. It is the responsibility of the slicer owner/operator to follow all guidelines, instructions and laws as established by your local and state health departments and the manufacturers of chemical sanitizers.

When cleaning your slicer, pay particular attention to cracks, broken seams and any area that may collect food debris. If your slicer, or any of its parts, is damaged or broken, it may become more difficult to properly clean and sanitize the unit. If your slicer is damaged or needs repair, contact an experienced service individual immediately to ensure the slicer can be properly sanitized. If you have any questions, please contact Globe at 937-299-5493.

This manual offers information to supplement your procedures to improve the sanitization of your machine and contains a Safety Tips section listing a number of precautions to follow to help promote safe use of this equipment. Throughout the manual you will see additional warnings to help alert you to potential hazards.

Warnings affecting your personal safety are indicated by:



or



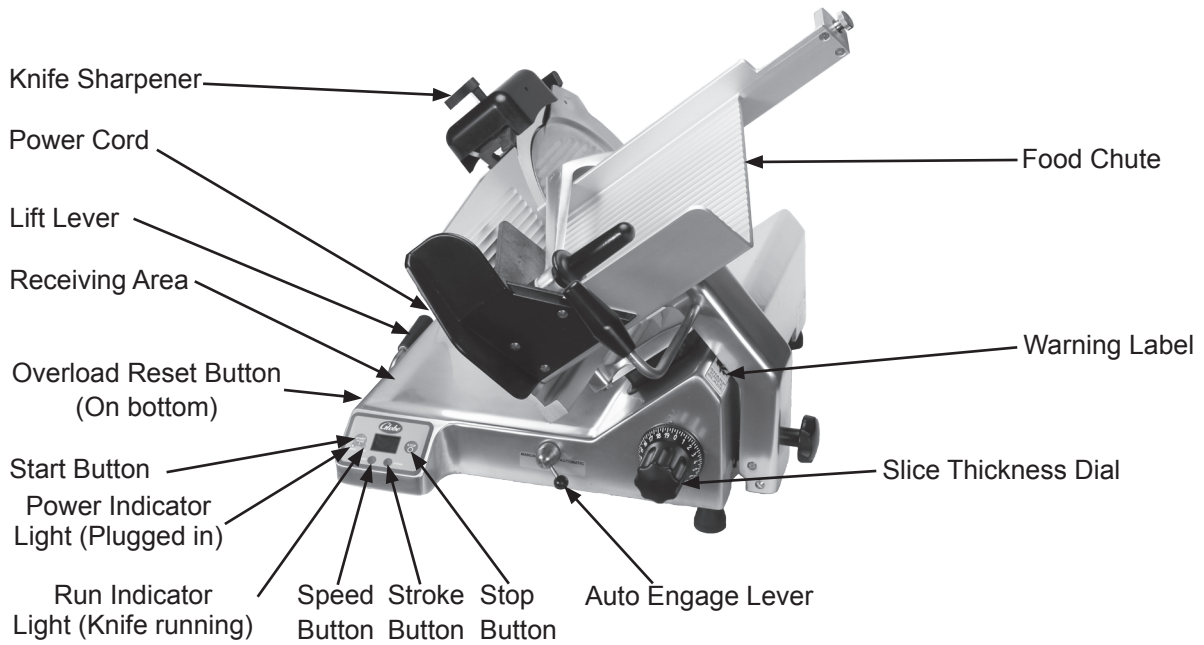
Warnings related to possible damage to the equipment are indicated by:



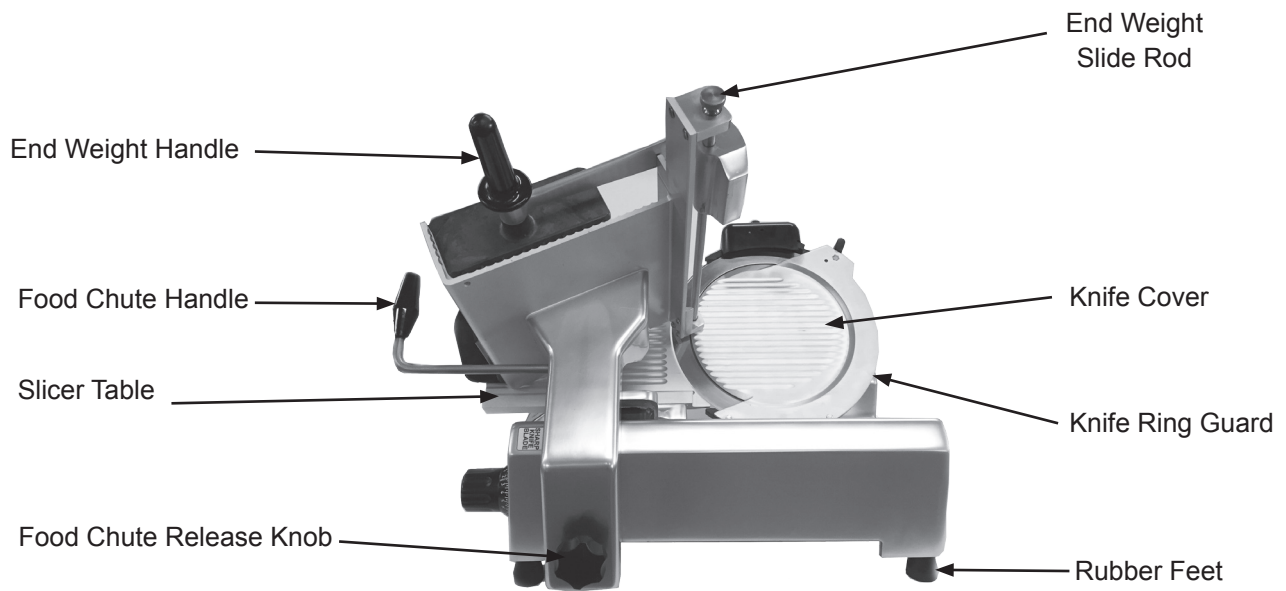
A wall chart with safety instructions is included with this equipment. This wall chart should be posted near the slicer within easy view of the operator. You should make certain that this manual is available for easy reference by any operator. Globe has put several warning labels in the English language on the slicer. French and Spanish labels are also available and can replace the English labels at the owner's discretion. If the warning labels, the wall chart, or this manual are misplaced, damaged or illegible, or if you require additional copies, please contact your nearest representative or Globe directly for these items at no charge.

Please remember that this manual, the wall chart and the warning labels do not replace the need to be alert, to properly train and supervise operators, and to use common sense when using this equipment.

Key Components of the Slicer



Model S13A



Globe Slicer Safety Tips

WARNING



SHARP KNIFE BLADE

TO AVOID SERIOUS PERSONAL INJURY:

- **NEVER** touch slicer before reading and completely understand everything in this instruction manual. You must be at least 18 years old and have had proper training and authorization from your supervisor.
- **ONLY** install the slicer on a level nonskid surface that is nonflammable and is located in a clean, well-lit work area away from children and visitors.
- **ALWAYS** ground slicer utilizing proper power source.
- **NEVER TOUCH KNIFE.** Keep hands and arms away from all moving parts, hold only the food chute handle.
- **NEVER OPERATE** slicer without knife cover and knife sharpener securely installed.
- **NEVER HOLD THE FOOD PRODUCT WHILE SLICING.** Hold only the food chute handle to slice.
- **DO NOT CATCH SLICES WITH YOUR HAND.** Let slices drop onto the receiving area.
- **ALWAYS** turn knife motor OFF and turn the slice thickness dial clockwise until it stops after each use.
- **BEFORE CLEANING, SERVICING, OR REMOVING ANY PARTS** always turn knife motor OFF, turn the slice thickness dial clockwise until it stops and unplug power cord.
- **ALWAYS** properly clean and sanitize your slicer. To prevent illness or death caused by the spread of food-borne pathogens, it is important to properly clean and sanitize the entire slicer as any surface of the slicer can become contaminated. It is the responsibility of the slicer owner/operator to follow all guidelines, instructions and laws as established by your local and state health departments and the manufacturers of chemical sanitizers.
- **USE ONLY GLOBE SLICER ACCESSORIES** properly installed.

Installation

UNPACKING

1. Unpack the slicer immediately after receipt. If the machine is found to be damaged, save the packaging material and contact the carrier within fifteen (15) days of delivery and immediately contact your source of the equipment. **You have no recourse for damage after fifteen (15) days of receipt.**
2. With the slicer you should receive: wall chart, lubricating oil and an instruction manual. Contact Globe or your local supplier if you did not receive all of these items.



TO AVOID SERIOUS PERSONAL INJURY PROPERLY INSTALL SLICER IN ADEQUATE WORK AREA

- **ALWAYS** install equipment in a work area with adequate light and space.
- **ONLY** operate on a solid, level, nonskid surface that is nonflammable.
- **NEVER** operate slicer with a damaged power cord or power plug.
- **NEVER** operate slicer with an extension cord.
- **NEVER** bypass, alter, or modify this equipment in any way from its original condition. Doing so can create hazards and will void warranty.
- **NEVER** operate slicer without the knife cover and knife sharpener securely installed.
- **NEVER** operate slicer without the warning labels attached to slicer (see Key Components, Simple Maintenance and Repair section) and the Globe wall chart posted within view of operator.

INSTALLATION:

1. Read this manual thoroughly before installation and operation. **DO NOT** proceed with installation and operation if you have any questions or if you do not understand everything in the manual. Contact your local representative or Globe first. ***Make sure to clean and sanitize your entire slicer before use. Refer to this manual for cleaning and sanitizing guidelines.***
2. Remove slicer from the corrugated box.



USE AT LEAST TWO PEOPLE TO LIFT SLICER UP TO OPERATING LOCATION. NEVER ATTEMPT TO LIFT SLICER ALONE.

3. Make sure rubber feet are firmly tightened.



NEVER USE SLICER WITHOUT FOUR RUBBER FEET SECURELY INSTALLED ON UNIT.

4. Select a location for the slicer that has a level, solid, nonskid surface that is nonflammable and is in a well-lit work area that is away from children and visitors.

Installation



THIS MACHINE IS PROVIDED WITH A THREE-PRONG GROUNDING PLUG. THE OUTLET TO WHICH THIS PLUG IS CONNECTED MUST BE PROPERLY GROUNDED. IF THE RECEPTACLE IS NOT THE PROPER GROUNDING TYPE, CONTACT AN ELECTRICIAN. DO NOT, UNDER ANY CIRCUMSTANCES, CUT OR REMOVE THE THIRD GROUND PRONG FROM THE POWER CORD OR USE ANY ADAPTER PLUG (Fig. 8-1 and Fig. 8-2).

5. Inspect slicer to make sure all parts have been provided.
6. Make sure knife cover and knife sharpener are in place.
7. Make sure warning labels are properly positioned and legible and the instruction manual is available near slicer.
8. Complete warranty registration online at www.globefoodequip.com/support/warranty-registration-form.
9. Post the provided wall chart in a visible area near slicer. Refer to the wall chart and the Owner's Manual for proper cleaning, sanitizing and inspection of the slicer.
10. Refer to the procedures outlined in Cleaning & Sanitizing section to clean the slicer before use.
11. Contact your local representative, or Globe directly, if you have questions or problems with the installation or operation of the slicer.



Figure 8-1 Correct



Figure 8-2 Incorrect

Operating Instructions

WARNING



SHARP KNIFE BLADE

TO AVOID SERIOUS PERSONAL INJURY:

- **NEVER** touch slicer before reading and completely understand everything in this instruction manual. You must be at least 18 years old and have had proper training and authorization from your supervisor.
- **ONLY** install slicer on a level nonskid surface that is nonflammable and is located in a clean, well-lit work area away from children and visitors.
- **ALWAYS** ground slicer utilizing proper power source.
- **NEVER TOUCH KNIFE.** Keep hands and arms away from all moving parts, hold only the food chute handle.
- **NEVER OPERATE** slicer without knife cover and knife sharpener securely installed.
- **NEVER HOLD FOOD PRODUCT WHILE SLICING.** Hold only the food chute handle to slice.
- **DO NOT CATCH SLICES WITH YOUR HAND.** Let slices drop onto the receiving area.
- **ALWAYS** turn knife motor OFF and turn slice thickness dial clockwise until it stops after each use.
- **BEFORE CLEANING, SERVICING, OR REMOVING ANY PARTS** always turn knife motor OFF, turn slice thickness dial clockwise until it stops and unplug power cord.

MANUAL SLICER OPERATION

1. Plug in power cord.

Note: When the slicer is plugged in the white **POWER** indicator light will illuminate.

2. Make sure all knobs are tightened before using slicer.
3. With knife motor turned OFF, pull food chute completely towards you and place food product onto food chute. Slice only boneless, unfrozen product with the slicer. Use end weight to hold food product in place.
4. Rotate slice thickness dial counterclockwise to the desired setting.
5. Push START button to turn on knife motor.

Note: The green **RUN** indicator light will illuminate.



DO NOT hold the food product with your hand. Never put your hand on or around food chute when slicer is under power. The food chute handle is the only part of the slicer you should touch while slicing.

6. Use food chute handle to manually push food chute back and forth. The food chute handle is the only part of slicer you should touch while slicing. Do not catch slices with your hand. Let slices drop onto receiving area.



If a product needs to be adjusted during slicing, ALWAYS pull the food chute all the way towards you. Turn off slicer, and close slicer table prior to adjusting the product and the end weight.

7. After the last slice stroke, pull food chute all the way towards you. Push the STOP button to turn knife motor OFF.

Note: The green **RUN** indicator light will go out.

8. Turn slice thickness dial clockwise until it stops to close slicer table. Tilt food chute to unload and load food product.
9. Unplug slicer after each days use or before cleaning and servicing.

Operating Instructions

AUTOMATIC SLICER OPERATION

1. Make sure all knobs are tightened before using slicer.
2. With knife motor turned OFF, pull food chute completely towards you and place food product onto food chute. Slice only boneless, unfrozen product with the slicer. Use end weight to hold food product in place.
3. Rotate slice thickness dial counterclockwise to the desired setting.


4. Plug in power cord.

Note: When the slicer is plugged in the white POWER indicator light will illuminate.

5. Push START button to turn on knife motor.

Note: The green RUN indicator light will illuminate.

 **BE ALERT.** The next step will cause food chute to move automatically and it can move either direction on start up.

 **NEVER attempt to adjust, load or unload food chute when slicer is in automatic operation.**

 **NEVER put hand into chute arm opening on the right side of slicer.**

6. To make food chute move automatically, move the auto engage lever into "AUTOMATIC" position (Fig. 10-1).

Note: During slicing, if the STOP button is pushed and the auto engage lever is in the "AUTOMATIC" position, the food chute and knife motor will stop and the slicer will remain in "AUTOMATIC" mode. To continue slicing in "Automatic" mode, push the START button. To return to "MANUAL" mode, move auto engage lever to "MANUAL" position.


7. To adjust the speed of the food chute, select the SPEED button (Fig. 10-2).

Note: When the auto engage lever is in the AUTOMATIC position, up to two speed settings are available with the SPEED button.

8. To adjust the stroke of the food chute, select the STROKE button.

Note: When the auto engage lever is in the AUTOMATIC position, up to two stroke lengths are available with the STROKE button.

9. To stop the automatic movement of food chute, move the auto engage lever to "Manual" position (Fig. 10-3).

 The knife is still rotating even though the food chute has stopped.

10. To turn slicer completely off and stop knife, press STOP button. Pressing the STOP button while the auto engage lever is in the automatic position will stop the food chute and shut the knife motor off. If auto engage lever has not already been returned to "Manual" position, move the auto engage lever to "Manual" position.



Figure 10-1



Figure 10-2

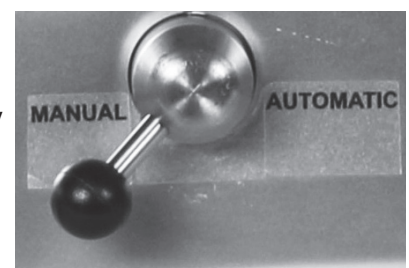


Figure 10-3

Cleaning & Sanitizing

⚠ WARNING



SHARP KNIFE BLADE

TO AVOID SERIOUS PERSONAL INJURY TO THE SLICER OPERATOR AND CUSTOMERS:

- **NEVER** touch slicer before reading and completely understand everything in this instruction manual. You must be at least 18 years old and have had proper training and authorization from your supervisor.
- **BEFORE CLEANING, SERVICING OR REMOVING ANY PARTS** always turn knife motor OFF, turn slice thickness dial clockwise until it stops and unplug power cord.
- **NEVER** attempt to clean slicer with knife running.
- **NEVER** attempt to remove knife or knife ring guard from slicer. They must remain on slicer for proper operation, sharpening and cleaning.

⚠ WARNING

To prevent illness or death caused by the spread of food-borne pathogens, it is important to properly clean and sanitize the entire slicer as any surface of the slicer can become contaminated. It is the responsibility of the slicer owner/operator to follow all guidelines, instructions and laws as established by your local and state health departments and the manufacturers of chemical sanitizers.



Once your slicer makes contact with food product, the entire slicer, including removable parts, must be thoroughly cleaned and sanitized. This process is to be repeated at least every 4 hours using these procedures and information; and must comply with additional laws from your state and local health departments.



As with all food contact surfaces, it is extremely important to properly sanitize the entire slicer and to **closely follow the instructions on your quaternary sanitizer container to make sure proper sanitation is achieved to kill potentially harmful bacteria.**

Note: It may be desirable to wear non-cutting safety gloves during the cleaning operation.

IMPORTANT: If a chemical sanitizer other than chlorine, iodine or quaternary ammonium is used, it must be applied in accordance with the EPA-registered label use instructions. Excessive amounts of sanitizer and use of products not formulated for stainless steel or aluminum may VOID your warranty.

Sanitizer concentration must comply with section 4-501.114, Manual and Mechanical Warewashing Equipment, Chemical Sanitization - Temperature, pH, Concentration, and Hardness of the FDA Food Code.

For more information on proper kitchen and equipment sanitation, visit www.servsafe.com provided by the National Restaurant Association (NRA).

⚠ CAUTION

- **DO NOT** hose down, pressure wash or pour water on slicer.
- **NEVER** use a scrubber pad, steel wool or abrasive material to clean slicer.
- **ALWAYS** turn slicer OFF and unplug power cord BEFORE cleaning.
- **It is extremely important to follow the instructions on the sanitizer container to make sure proper sanitation is achieved. Allow the parts to air dry before placing them back on slicer!**

DO NOT use bleach, products containing sodium hypochlorite or other caustic/strong detergents on slicer base or removable parts. These products will discolor and destroy the parts.

Slicer components are easily disassembled without the use of special tools. It may be desirable to wear non-cutting safety gloves during the cleaning operation.

Cleaning & Sanitizing

DISASSEMBLY & CLEANING

1. Push STOP button to turn off knife motor.
2. Turn slice thickness dial clockwise past zero (0) until it stops so table covers knife edge.
3. Unplug power cord.

Note: When slicer is unplugged the white POWER indicator light will go out.

4. Pull food chute toward you (home position).

Note: The food chute will only tilt back in the “home” position.

5. Loosen the food chute release knob that fastens the food chute to the slicer (Fig. 12-1).
6. Use the food chute handle to tilt food chute and chute arm to the right to the cleaning position (Fig. 12-2 and Fig. 12-3).

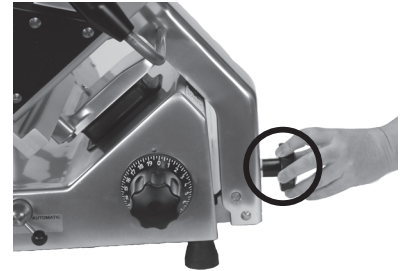


Figure 12-1



Figure 12-2

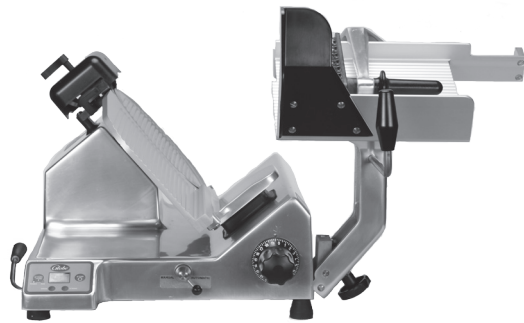


Figure 12-3 Cleaning Position

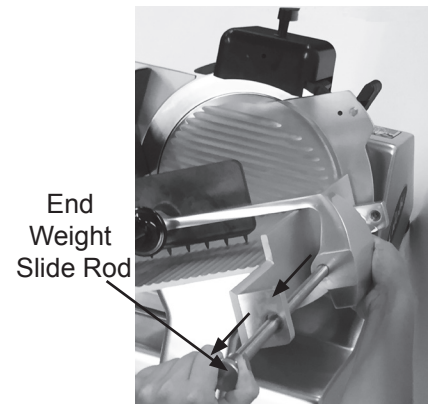


Figure 12-4

Note: The chute release knob is not designed to come completely off.

7. Remove food chute's end weight. Hold end weight and unscrew end weight slide rod (Fig. 12-4). Pull end weight slide rod out of pivot of end weight.

⚠ BE ALERT. The next step will expose knife.

8. Remove knife cover. Push down on knife cover release lever. Hold the knife cover release lever and pull knife cover forward to remove knife cover from top pin (Fig. 12-5).
9. Hold the knife cover release lever. Carefully tilt knife cover and pull knife cover up and to the right to remove the knife cover from bottom pins.
10. Remove knife sharpener. Pull knife sharpener up and away to remove from slicer (Fig. 12-6).



Figure 12-5

⚠ BE ALERT. Slicer knife edge is exposed. Always be aware of the placement of your hands/fingers in relationship to knife.

Place all removable parts in a three compartment sink with warm water and a mild detergent solution; soak, clean, and thoroughly scrub all surfaces using a solution of mild detergent and warm water. Removable parts include: end weight, slide rod, knife cover and knife sharpener.



Figure 12-6

Cleaning & Sanitizing

Rinse removable parts with fresh, clean water. Following the instructions on your quaternary sanitizer label, soak the end weight, slide rod, knife cover and knife sharpener in a proper solution of quaternary sanitizer for a minimum of two minutes. Allow these parts to air dry.

An important step to kill bacteria is to allow the parts to air dry before reassembly!



BE ALERT. The slicer knife is fully exposed. Always be aware of the placement of your hands/fingers in relationship to the knife.

11. Next, clean knife ring guard. Soak a clean cloth in a mild detergent and warm water solution. Ring out excess water from cloth. **Carefully** insert the cloth between knife and knife ring guard (Fig. 13-1). While holding the cloth between knife and knife ring guard, work it along the entire inside surface of ring guard. Repeat this procedure as necessary. Spray sanitizer on all surfaces and let air dry.



Figure 13-1

12. The knife must also be cleaned and sanitized. **Carefully** wash and rinse the top and bottom of knife by wiping from the **center of knife outward** (Fig. 13-2). Spray both sides of knife, slicer table and the entire slicer base with a non-bleach, non-chlorine sanitizer following the instructions on your quaternary sanitizer container to make sure proper sanitation is achieved. Allow slicer parts to air dry.

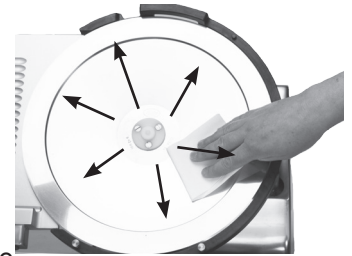


Figure 13-2

An important step to kill bacteria is to allow the parts to air dry before reassembly!



After cleaning and sanitizing the knife, the rest of the entire slicer must be fully cleaned, sanitized and left to air dry before reattaching slicer parts and using the slicer.

13. Soak a clean cloth in a mild detergent and warm water solution. Ring out excess water from cloth. With the slicer table completely closed, wipe slicer table off by starting at knife and pulling towards you. Never wipe slicer table towards knife. Spray or wipe a sanitizer on table and allow it to air dry.

14. With a clean cloth soaked in mild detergent, wipe down all remaining surfaces of slicer to remove food, debris and grease/oil. Use a nylon brush to scrub difficult areas. Use a clean, wet cloth to rinse the entire slicer. Finish by spraying sanitizer on all surfaces and then let air dry.

REINSTALL REMOVABLE PARTS

After cleaning, sanitizing, and allowing the parts to air dry, they must be reinstalled.



BE ALERT. Slicer knife is exposed. Always be aware of the placement of your hands/fingers in relationship to knife.

1. Reinstall the knife cover. Align the knife cover with the pins located at the bottom and one at the top of the knife guard. The locator pin at the top of the knife ring guard must be set through the knife cover and pressed into place. Once the knife cover hole is seated over the pin, lift the cover release lever back to the up position to secure knife cover (Fig. 13-3).

Note: The knife motor will not start and the display will show “ATTENTION Knife Cover Removed Install Knife Cover.”

2. Reinstall knife sharpener. Put knife sharpener at the top of slicer with knife sharpener handle pointing down (Fig. 13-4).



Figure 13-3



Figure 13-4

Cleaning & Sanitizing



NEVER operate slicer without knife sharpener installed. Make sure it is in place and fully seated on top of slicer before operating.

- Put the cleaned and sanitized food chute back into operation (Fig. 14-1).
- Tighten food chute release knob to secure food chute to slicer (Fig. 14-2).

Note: When food chute is not secure, the knife motor will not start and display will show “ATTENTION Carriage Tilted Secure Carriage to Start.”

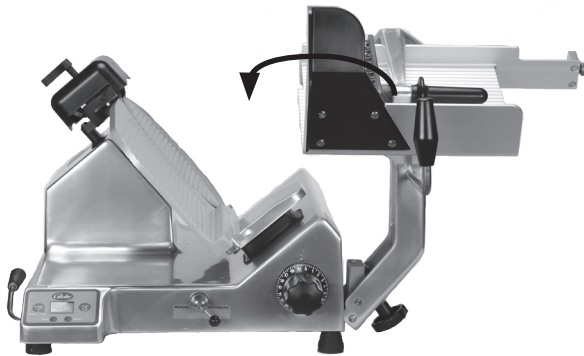


Figure 14-1



Figure 14-2

- Reinstall end weight. Align end weight with chute and insert end weight slide rod through chute and end weight (Fig 14-3). Allow end weight to rest on chute and securely screw in end weight slide rod to slicer chute. Refer to Inspection, Simple Maintenance, and Repair section for instructions on how to lubricate the end weight slide rod.
- Plug in power cord.

Note: When slicer is plugged in, the white **POWER** indicator light will illuminate.

End Weight
Slide Rod

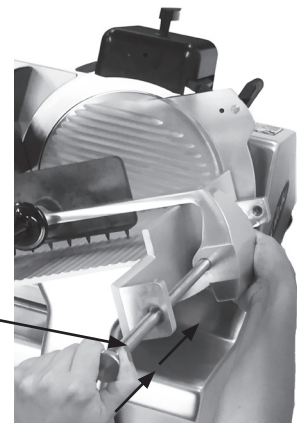


Figure 14-3

INSPECTION

INSPECT THE SLICER FOR DAMAGED OR BROKEN PARTS INCLUDING GASKETS & SEALS. A thorough visual inspection should be made of the entire slicer and its parts. Globe urges the owner/operator to inspect all components often and for an authorized service agent to inspect the entire slicer at least every 6 months, including all parts that are detachable for cleaning and sanitizing. This inspection should include: looking for damaged parts, broken seals or gaskets, and areas that may be more difficult to clean and sanitize.

WARNING

IF A SEAL OR GASKET IS FOUND TO NOT PROPERLY SEAL, IS DAMAGED, OR IS MISSING, THE SLICER MUST BE REMOVED FROM SERVICE UNTIL IT IS REPAIRED BY AN AUTHORIZED SERVICER.

Knife Sharpening

⚠ WARNING



SHARP KNIFE BLADE

TO AVOID SERIOUS PERSONAL INJURY:

- **NEVER** touch slicer before reading and completely understand everything in this instruction manual. You must be at least 18 years old and have had proper training and authorization from your supervisor.
- **NEVER** touch rotating knife.
- **ALWAYS** keep hands clear of all moving parts.
- **ALWAYS** turn slicer off, turn slice thickness dial clockwise until it stops and pull food chute completely towards you before sharpening.
- **NEVER** sharpen knife unless knife cover is installed.

WHEN AND HOW OFTEN TO SHARPEN KNIFE

1. Symptoms of a dull knife are excess waste (or “tail”) on the unsliced portion remaining in food chute.
2. The knife needs to be sharpened periodically to provide consistent slices and maximum food product yield. Sharpening knife lightly every few days is more effective than heavy sharpening at less frequent intervals.

PREPARING TO SHARPEN

1. Turn slicer OFF and turn slice thickness dial clockwise until it stops so slicer table covers knife’s edge.
2. Clean and dry both sides of knife before sharpening. Refer to Cleaning & Sanitizing section.

Note: The knife cover must be installed during sharpening. The slicer will not start and the display will show “ATTENTION Knife Cover Removed Install Knife Cover.”



BE ALERT. The next step will expose knife.

3. Slide knife sharpener up its mounting post and rotate it 180 degrees (Fig. 15-1).
4. Lower knife sharpener into position with handle pointing up (Fig. 15-2).



Figure 15-1
Stored Position



Figure 15-2
Sharpening Position

Knife Sharpening

SHARPENING THE KNIFE

Note: Sharpening and honing stones will perform correctly **ONLY** when free from dirt, grease and built-up food residue. Use the wire brush included with your slicer to periodically clean the stones **BEFORE** sharpening the knife blade.

1. Plug in power cord.

Note: The white **POWER** indicator light will illuminate.

2. Push the **START** button to turn on knife motor.

Note: The green **RUN** indicator light will illuminate.

3. Pull knife sharpener handle toward the front so sharpening stone and honing plate make contact with knife (Fig. 16-1). Maintain pressure on the knife sharpener handle for 5-10 seconds.

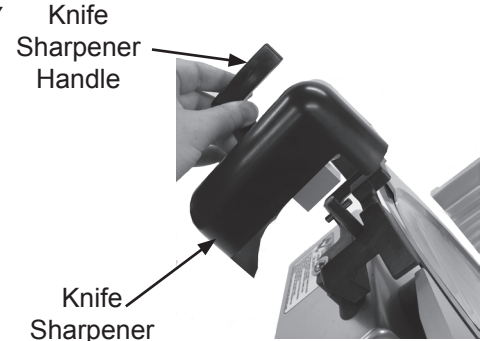


Figure 16-1
Sharpening Position



TURN KNIFE MOTOR OFF before inspecting.

AFTER SHARPENING

1. Push the **STOP** button to turn knife motor off.

Note: The green **RUN** indicator light will go out.

2. Unplug power cord.

Note: The white **POWER** indicator light will go out.

3. Lift knife sharpener up and rotate 180 degrees and place it back in its stored position (Fig. 16-2).
4. **Clean and sanitize** the entire slicer. Refer to Cleaning & Sanitizing section.
5. Plug in power cord.

Note: When slicer is plugged in, the white **POWER** indicator light will illuminate.



Figure 16-2
Stored Position



NEVER operate slicer without knife sharpener installed. Make sure it is in place and secure to top of slicer before operating.

Inspections, Simple Maintenance, and Repair

WARNING



SHARP KNIFE BLADE TO AVOID SERIOUS PERSONAL INJURY:

- **NEVER** touch slicer before reading and completely understand everything in this instruction manual. You must be at least 18 years old and have had proper training and authorization from your supervisor.
- **BEFORE CLEANING, SERVICING, OR REMOVING ANY PARTS** always turn OFF and unplug slicer and turn slice thickness dial clockwise past zero (0) until it stops.
- **NEVER TOUCH KNIFE.** Keep hands and arms away from all moving parts.
- **DO NOT** tamper with, bypass or remove any safety devices, guards, START/STOP button or touch pad controls.
- **AFTER EACH USE, ALWAYS** turn slicer OFF and turn the slice thickness dial clockwise past zero (0) until it stops.
- **USE ONLY GLOBE PARTS AND ACCESSORIES** properly installed.

INSPECTING THE SLICER

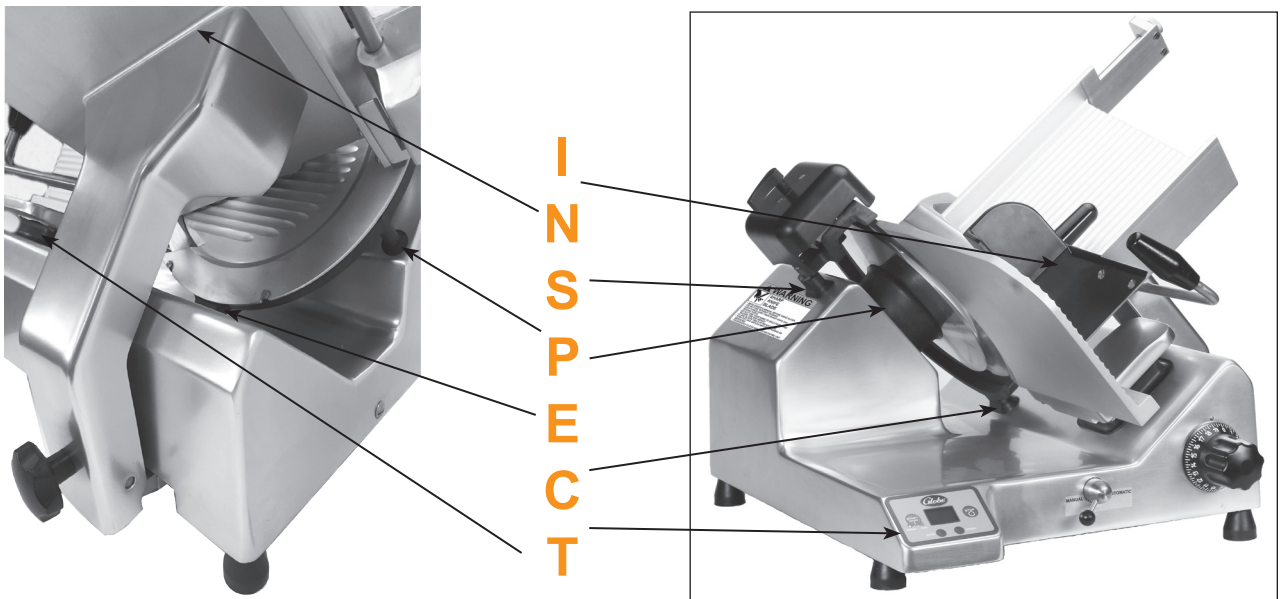
INSPECT THE SLICER FOR DAMAGED OR BROKEN PARTS INCLUDING GASKETS & SEALS. A thorough visual inspection should be made of the entire slicer and its parts. Globe urges the owner/operator to inspect all components often and for an authorized service agent to inspect the entire slicer at least every 6 months, including all parts that are detachable for cleaning and sanitizing. This inspection should include looking for damaged parts, broken seals or gaskets, and areas that may be more difficult to clean and sanitize.

WARNING

IF A SEAL OR GASKET IS FOUND TO NOT PROPERLY SEAL, IS DAMAGED OR IS MISSING, THE SLICER MUST BE REMOVED FROM SERVICE UNTIL IT IS REPAIRED BY AN AUTHORIZED SERVICER.

SLICER INSPECTION

Slicer Seals and Gaskets Identified



Inspections, Simple Maintenance, and Repair

LUBRICATION

Various slicer parts need to be lubricated periodically using Globe oil. Globe oil is a light, tasteless, odorless mineral oil that will not contaminate or impart odors or taste to sliced food products.



DO NOT USE VEGETABLE OIL TO LUBRICATE SLICER. VEGETABLE OIL WILL DAMAGE THE SLICER!

Sharpener and Shafts

In addition to cleaning the sharpener stones, it is suggested that the sharpener shafts be lubricated with Globe oil on a regular basis.

1. Pull knife sharpener up by its handle to remove it from slicer (Fig. 18-1).
2. Apply several drops of Globe oil to the exposed shaft of both stones (Fig. 18-2).
3. Push the sharpener handle several times to distribute the oil onto shafts.
4. Replace sharpener to its stored position on the slicer.
5. Wipe off any excess oil that drips onto slicer.

Note: The knife sharpener and stones can be cleaned with warm water and a brush. Allow it to air dry. If the knife sharpener or stones are cleaned, it is very important that all sharpener shafts are lubricated with Globe oil afterwards!

End Weight Slide Rod

The end weight slide rod should be lubricated with a few drops of Globe oil, every week or when excessive drag is felt.

1. Apply a few drops of Globe oil to end weight slide rod (Fig. 18-3).
2. Slide end weight up and down to distribute oil.
3. Wipe off any excess oil that drips onto slicer.

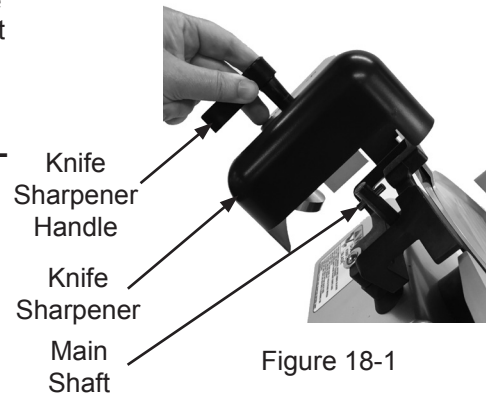


Figure 18-1

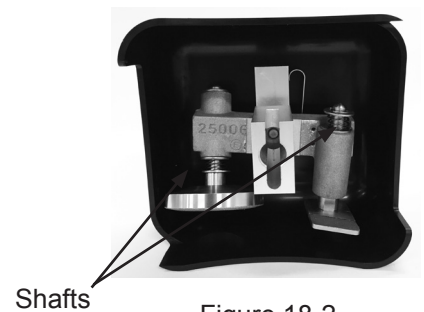


Figure 18-2

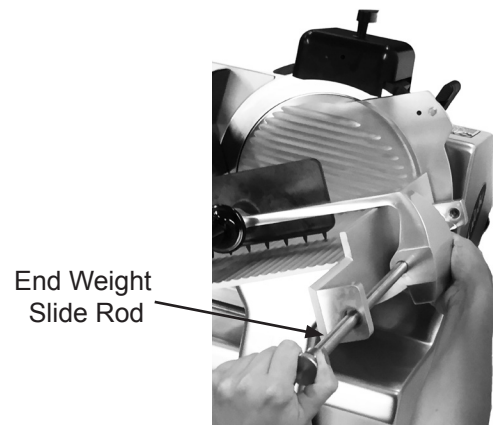


Figure 18-3

Maintenance Mode

Maintenance Mode is made up of three sub menu displays, Diagnostics, System Counters and Information. Refer to the table below for the options and actions of each available menu display.

Entering Maintenance Mode

Two options are available for entering the maintenance mode.

Option One:

1. Unplug the slicer.
2. While holding down the STOP button, plug in the slicer. During start up the display will show “Entering Maintenance Mode.”

Note: Once Maintenance Mode has been entered, use the STOP button to navigate through selections and the START button to select the option.

Option Two:

1. Remove the knife cover.

Note: When knife cover is removed, the knife motor will not start and display will show “ATTENTION Knife Cover Removed Install Knife Cover.”
2. Hold down the STOP button. An “*” in the top left corner of the display screen will appear. Release the STOP button when the “*” disappears from the display.
3. When the Globe logo appears, press and hold the STOP button. The display will show “Entering Maintenance Mode.”
4. Repeat steps 1-3 if display does not show the “Entering Maintenance Mode” screen.

Note: Once Maintenance Mode has been entered, use the STOP button to navigate through selections and the START button to select the option.

MENUS	OPTIONS	ACTION
Diagnostics		
Status	Used to determine if the machine sensors are functioning properly. Select a button or sensor to test machine.	Example: When the START button is selected and the safety sensor is working properly, “Start” on the display will illuminate.
System Counters		
Counter Mode		
Examine		
Powered Up Total	Displays the total amount of time the slicer has been plugged in.	No action required.
Knife On Total	Displays the total amount of time in hours that the knife motor has ran.	No action required.
Auto Mode Total	Displays the total amount of time in hours that the slicer has been used in auto mode.	No action required.
Power Cycles	Displays the total amount of times the slicer has been connected to power.	No action required.
Total Slices	Counts the number of strokes made with the knife motor running.	No action required.

Maintenance Mode

MENUS	OPTIONS	ACTION
Additional Counters		
Manual Slices	Displays the total number of slices in manual mode.	No action required.
Speed 1		
Stroke		
1	Displays the total number of slices in speed 1 stroke 1.	No action required.
2	N/A	N/A
3	Displays the total number of slices in speed 1 stroke 3.	No action required.
Speed 2		
Stroke		
1	N/A	N/A
2	N/A	N/A
3	N/A	N/A
Speed 3		
Stroke		
1	N/A	N/A
2	N/A	N/A
3	N/A	N/A
Speed 4		
Stroke		
1	Displays the total number of slices in speed 4 stroke 1.	No action required.
2	N/A	N/A
3	Displays the total number of slices in speed 4 stroke 3.	No action required.
Reset		
Knife Motor	Displays the Reset Knife Timer.	Press STOP to verify reset operation.
Auto Mode Motor	Displays the Auto Timer Motor.	Press STOP to verify reset operation.

Maintenance Mode

MENUS	OPTIONS	ACTION
Language Setup	“ATTENTION” screens will alternate between Language 1 and Language 2 displaying each for 5 seconds.	No action required.
Language 1	Displays primary language.	No action required.
English	Displays language options English, French and Spanish.	Select START button to select language. Press STOP button once language selection has been made. Select START button to Save and Exit.
French	Displays language options English, French and Spanish.	Select START button to select language. Press STOP button once language selection has been made. Select START button to Save and Exit.
Spanish	Displays language options English, French and Spanish.	Select START button to select language. Press STOP button once language selection has been made. Select START button to Save and Exit.
Language 2	Displays secondary language.	No action required.
English	Displays language options English, French and Spanish.	Select START button to select language. Press STOP button once language selection has been made. Select START button to Save and Exit.
French	Displays language options English, French and Spanish.	Select START button to select language. Press STOP button once language selection has been made. Select START button to Save and Exit.
Spanish	Displays language options English, French and Spanish.	Select START button to select language. Press STOP button once language selection has been made. Select START button to Save and Exit.
Information	Displays the Model Number, Rated Input Voltage and Software version.	No action required.

Troubleshooting Guide

PROBLEM	CAUSE	SOLUTION
Knife motor will not start	Slicer not plugged in	Plug in slicer
	Knife cover removed or not properly installed	Install knife cover
	Overload reset button tripped	Overload the reset button located underneath the slicer
	Carriage not in home position	Pull carriage to operator to start
	Carriage table in the tilted position	Secure carriage to resume
Ragged cuts-poor yield	Dull knife	Sharpen knife-make sure knife and stones are clean
	Chipped knife	Sharpen or have new knife installed
	Knife-slicer table gap too wide	Call for service to adjust slicer table
	Knife too small	Have new knife installed
Part scraping knife	Knife cover	Lock knife cover release lever
	Food chute	Tighten or adjust food chute knob
	Slicer table	Call for service to adjust slicer table
Hard to sharpen	Stones dirty, wet or clogged with grease	Clean stones with warm water and a brush. Allow stones to air dry. Lubricate shafts with Globe oil afterwards
	Knife dirty	Clean top and bottom of knife
	Worn stones	Have stones replaced
	Stones not properly aligned	Have sharpener adjusted

If problems persist and the assigned solution does not remedy the issue, please call our Service Department at 866-260-0522.

Intentionally Left Blank

Limited Slicer Warranty

Globe Food Equipment Company (“GFE”) warrants to the original purchaser of new equipment that said equipment, when installed in accordance with our instructions within North America and subjected to normal use, is free from defects in material or workmanship for a period of 30 months from date of factory shipment, or 24 months from date of installation, whichever comes first. There is a lifetime guarantee on the stones in the sharpening system (parts only).

THIS WARRANTY IS IN LIEU OF ALL OTHER WARRANTIES, WHETHER EXPRESSED OR IMPLIED. GFE EXPRESSLY DISCLAIMS ANY IMPLIED WARRANTY OF MERCHANTABILITY OR EXPRESSED OR IMPLIED WARRANTY OF FITNESS FOR A PARTICULAR PURPOSE.

GFE’S OBLIGATION AND LIABILITY UNDER THIS WARRANTY IS EXPRESSLY LIMITED TO REPAIRING OR REPLACING EQUIPMENT WHICH PROVES TO BE DEFECTIVE IN MATERIAL OR WORKMANSHIP WITHIN THE APPLICABLE WARRANTY PERIOD. All repairs pursuant to this Warranty will be performed by an Authorized Designated GFE Service Location during normal working hours. IN NO EVENT SHALL GFE BE LIABLE FOR INCIDENTAL OR CONSEQUENTIAL DAMAGES TO BUYER OR ANY THIRD PARTY, INCLUDING, WITHOUT LIMITATION, LOSS OF PROPERTY, PERSONAL INJURY, LOSS OF BUSINESS OR PROFITS OR OTHER ECONOMIC LOSSES, OR STATUTORY OR EXEMPLARY DAMAGES, WHETHER IN NEGLIGENCE, WARRANTY, STRICT LIABILITY OR OTHERWISE.

This warranty is given only to the first purchaser from a retail dealer. This warranty is not transferable or assignable to any subsequent owner.

This warranty does not cover product failures caused by: failure to maintain, neglect, abuse, damage due to excess water, fire, normal wear, improper set up and use. Periodic maintenance including lubrication and sharpening are not covered.

Items not covered under warranty, but are not limited to:

1. Acts of God, fire, water damage, burglary, accident, theft, vandalism.
2. Freight damage.
3. Improper installation or alteration of equipment.
4. Use of generic or after market parts.
5. Repairs made by anyone other than a GFE designated servicer, or not pre-authorized by GFE.
6. Lubrication.
7. Expendable wear parts, knife, rubber boots, blown fuses, lamps.
8. Cleaning of equipment.
9. Misuse or abuse.

Service under this warranty shall not be made available until such time as a properly completed, digitally signed, and the Installation/Warranty Registration has been received by GFE within 30 days from the date of installation. Complete warranty registration at: www.globefoodequip.com/support/warranty-registration-form.

THE FOREGOING WARRANTY PROVISIONS ARE A COMPLETE AND EXCLUSIVE STATEMENT BETWEEN THE BUYER AND SELLER. GFE NEITHER ASSUMES NOR AUTHORIZES ANY PERSONS TO ASSUME FOR IT ANY OTHER OBLIGATION OR LIABILITY IN CONNECTION WITH SAID EQUIPMENT.

WARRANTY REGISTRATION
SCAN THE QR CODE WITH YOUR MOBILE DEVICE OR GO TO
WWW.GLOBEFOODEQUIP.COM
TO FILL OUT AND SUBMIT YOUR WARRANTY REGISTRATION.

WWW.GLOBEFOODEQUIP.COM/SUPPORT/WARRANTY-REGISTRATION-FORM

