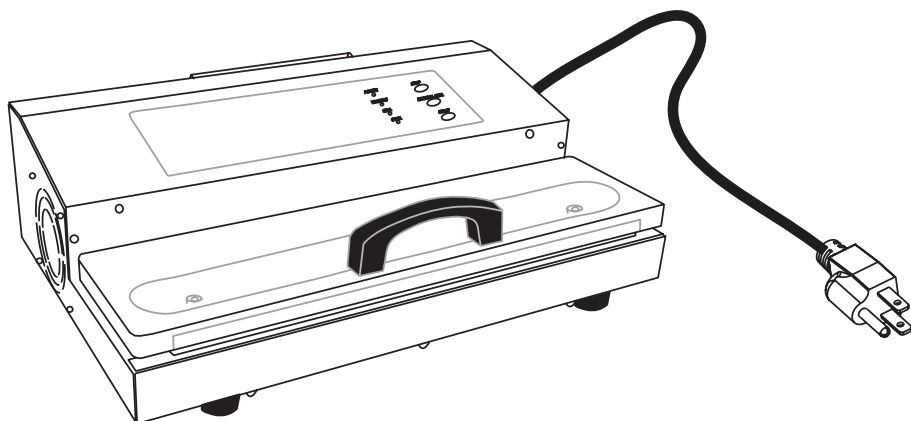


Hamilton Beach[®]

COMMERICAL



READ BEFORE USE.
LIRE AVANT UTILISATION.
LEA ANTES DE USAR.

Le invitamos a leer cuidadosamente este
instructivo antes de usar su aparato

HVS400

VACUUM PACKING MACHINE SCELLEUSE SOUS VIDE MÁQUINA DE EMPAQUE AL VACÍO

DUE TO CONSTANT FACTORY IMPROVEMENTS, THE PRODUCT PICTURED MIGHT DIFFER SLIGHTLY FROM THE PRODUCT IN THIS BOX.

PARCE QUE LE FABRICANT AMÉLIORE CONTINUUELLEMENT LE PRODUIT, L'IMAGE DU PRODUIT ILLUSTRÉ PEUT ÊTRE LÉGÈREMENT DIFFÉRENTE DU PRODUIT CONTENU DANS CETTE BOÎTE.

DEBIDO A LAS CONSTANTES MEJORAS DE FÁBRICA, EL PRODUCTO QUE SE MUESTRA AQUÍ PUEDE SER LIGERAMENTE DIFERENTE DEL PRODUCTO INCLUIDO EN ESTA CAJA.

IMPORTANT SAFEGUARDS

IMPORTANT: This operation manual should be reviewed with all equipment operators as part of your operator training program.

WARNING – When using electrical appliances, basic safety precautions should always be followed to reduce the risk of fire, electric shock, and/or injury to persons, including the following:

1. Read all instructions.
2. This appliance is not intended for use by persons (including children) with reduced physical, sensory, or mental capabilities, or lack of experience and knowledge, unless they are closely supervised and instructed concerning use of the appliance by a person responsible for their safety.
3. Close supervision is necessary when any appliance is used near children. Children should be supervised to ensure that they do not use or play with the appliance.
4. Always disconnect vacuum sealer from power source before servicing, changing accessories or cleaning the unit.
5. Plug the vacuum sealer into a standard 120 Volt, 60 Hz wall outlet. Avoid using extension cords.
6. Do not operate any appliance with a damaged supply cord or plug, or after the appliance malfunctions or has been dropped or damaged in any manner. Supply cord replacement and repairs must be conducted by the manufacturer, its service agent, or similarly qualified persons in order to avoid a hazard. Call the provided customer service number for information on examination, repair, or adjustment.
7. Be sure to not allow the power cord to drape into your work area. Check that all parts are operating properly, and perform the intended functions. Check for any other conditions that may affect the operation.
8. Never use any accessories or parts from other manufacturers. Doing so will void your warranty and may cause fire, electrical shock, or injury.
9. Reduce risk of unintentional starting. Make sure the power switch is in the "OFF" (●) position before attaching to the power source.
10. Keep fingers clear of the heat-sealing bar and seal bar tape at all times. These areas become hot. Doing so may cause serious injury.
11. Do not take this appliance apart; doing so will void your warranty and may result in personal injury.
12. To protect against risk of electrical shock: Do not submerge the vacuum sealer into water or liquid. Be sure the vacuum sealer is disconnected from the power source before cleaning. Follow the "Cleaning Instructions." Never rinse vacuum sealer under tap.
13. Never leave the vacuum sealer unattended. Be safe. Disconnect the vacuum sealer from power source before leaving the work area.
14. Do not let the power cord hang over edge of work surface.
15. Be sure the vacuum sealer is on a stable work surface. Be sure all the vacuum sealer feet are stable.
16. Do not use the vacuum sealer outdoors.
17. Do not use the vacuum sealer while under the influence of drugs, medications, or alcohol.
18. The vacuum sealer is only intended to be used with vacuum bags. For best results, only use the recommended vacuum bags. Do not use bags intended for chamber-style machines or household bags. Any other uses of the vacuum sealer, other than the uses described in this booklet, could potentially damage the appliance and void the warranty!

SAVE THESE INSTRUCTIONS

OTHER SAFETY INFORMATION

⚠ WARNING Electrical Shock Hazard: This appliance is provided with a grounded (3-prong) plug to reduce the risk of electric shock. The plug fits only one way into a grounded outlet. Do not defeat the safety purpose of the plug by modifying the plug in any way or by using an adapter. If the plug does not fit into the outlet, have an electrician replace the outlet.

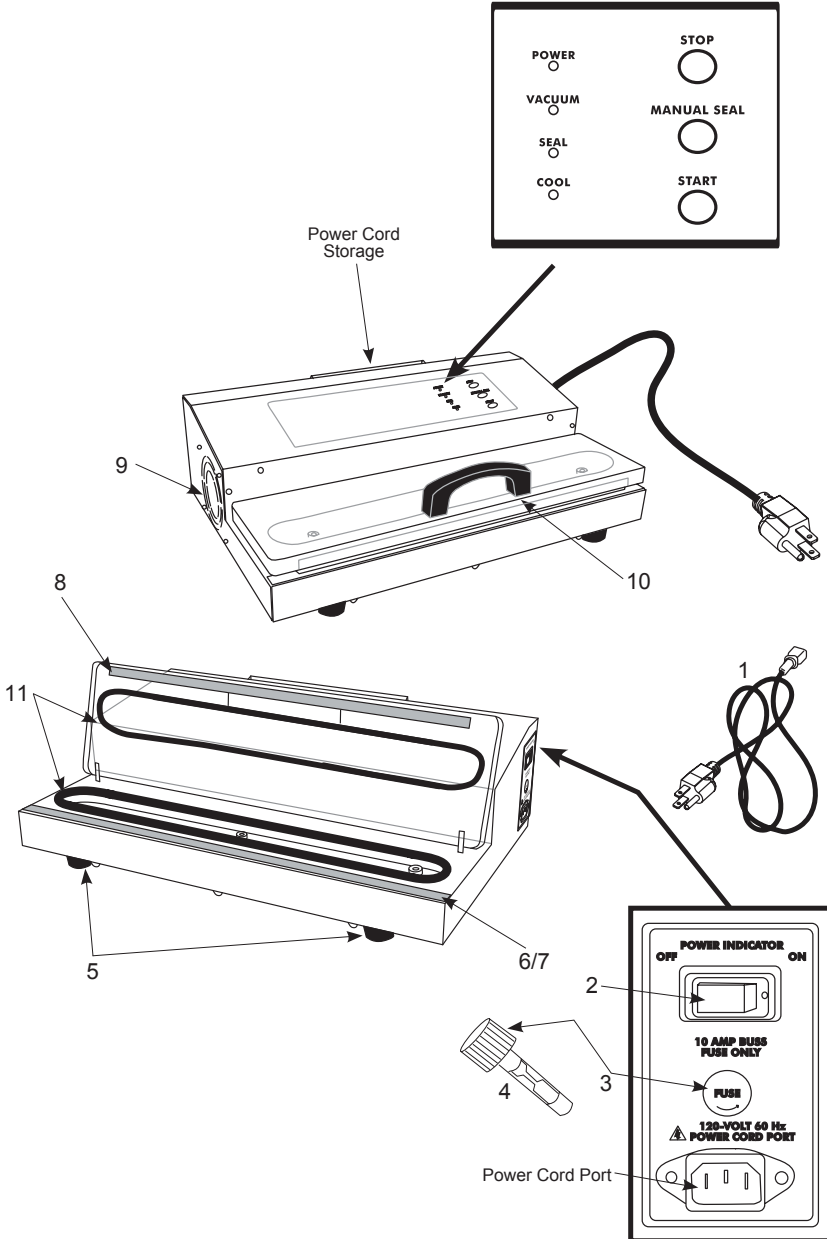
The length of the cord used on this appliance was selected to reduce the hazards of becoming tangled in or tripping over a longer cord. If a longer cord is necessary, an approved extension cord may be used. The electrical rating of the extension cord must be equal to or greater than the rating of the appliance. The extension cord must be a grounding-type, 3-wire cord. Care must be taken to arrange the extension cord so that it will not drape over the countertop or tabletop where it can be pulled on by children or accidentally tripped over.

Technical Services

For assistance or replacement parts, call our Technical Services number: +910-693-4277 or 1-866-285-1087

8 a.m. – 5 p.m. EST Monday – Friday www.hamiltonbeachcommercial.com

PARTS AND FEATURES



PARTS PIÈCES PIEZAS

DIAGRAM NUMBER NO DU SCHÉMA NÚMERO DE DIAGRAMA	PART DESCRIPTION DESCRIPTION DE LA PIÈCE DESCRIPCIÓN DE LA PIEZA
1	REMOVABLE POWER CORD CORDON D'ALIMENTATION AMOVIBLE CABLE DE ALIMENTACIÓN REMOVIBLE
2	POWER INDICATOR SWITCH INTERRUPTEUR/VOYANT D'ALIMENTATION INTERRUPTOR INDICADOR DE ALIMENTACIÓN
3	FUSE HOLDER PORTE-FUSIBLE SUJETADOR DEL FUSIBLE
4	10-AMP BUSS FUSE FUSIBLE BUSS 10 AMPÈRES FUSIBLE DE BUS DE 10 AMP
5	RUBBER FEET (6) PIEDS EN CAOUTCHOUC (6) PATAS DE GOMA (6)
6	SEAL BAR HEATING ELEMENT ÉLÉMENT CHAUFFANT DE LA BANDE DE SCELLEMENT ELEMENTO CALENTADOR DE LA BARRA DE SELLADO
7	15 MM LOWER SEAL BAR TAPE (2)* *NOTE: ONE EXTRA SEAL BAR TAPE IS INCLUDED BANDE DE RUBAN INFÉRIEURE 15 MM* *REMARQUE : UN RUBAN SUPPLÉMENTAIRE EST FOURNI CINTA DE LA BARRA DE SELLADO INFERIOR DE 15 MM (2)* *NOTA: UNA PIEZA ADICIONAL DE LA CINTA DE LA BARRA DE SELLADO SE INCLUYE
8	10 MM UPPER SEAL BAR TAPE (SHORTER TAPE) BANDE DE RUBAN SUPÉRIEUR 10 MM (RUBAN COURT) CINTA DE LA BARRA DE SELLADO SUPERIOR DE 10 MM (CINTA MÁS CORTA)
9	INTERNAL COOLING FAN VENTILATEUR INTERNE VENTILADOR DE REFRIGERACIÓN INTERNO
10	VACUUM LID WITH HANDLE COUVERCLE DE SCLEUSE AVEC POIGNÉE TAPA DE VACÍO CON MANIJA
11	OVAL VACUUM CHAMBER SEAL (2) GARNITURE OVALE DU CANAL D'ASPIRATION (2) SELLO OVALADO DE LA CÁMARA DE VACÍO (2)

PROTECTIVE TAPE

There are two (2) factory-installed strips of seal bar tape on the vacuum sealer. **DO NOT REMOVE THE TAPE!**

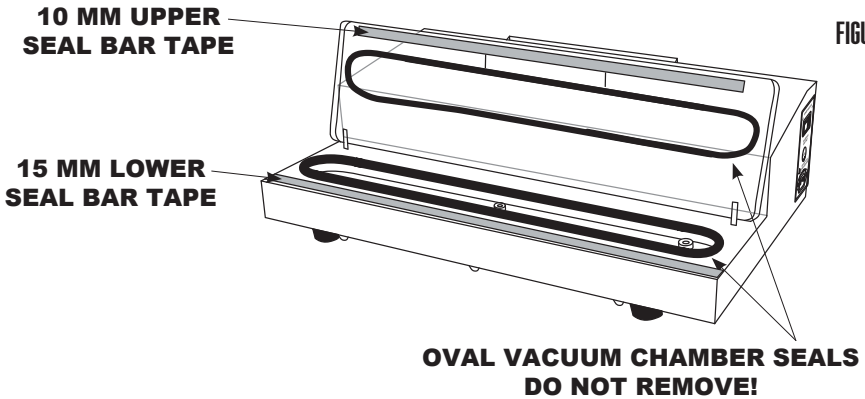


FIGURE 1

The Seal Bar Heating Element and Vacuum Lid Seal are each covered with Seal Bar Tape to protect vacuum bags during sealing (FIGURE 1). **DO NOT** remove the Seal Bar Tape. See the “Service Instructions” on page 10 for information on replacing the Seal Bar Tape, if necessary.

NOTE: One extra 15 MM Seal Bar Tape is included.

VACUUM CHAMBER SEALS

There are two factory-installed Oval Vacuum Chamber Seals on the Vacuum Sealer. When the Vacuum Lid is closed and downward force applied, they form an airtight seal so the Vacuum Chamber can be evacuated.

The Oval Vacuum Chamber Seals may wear over time and require replacement. See the “Service Instructions” on page 10 for information on replacing the Oval Vacuum Chamber Seals, if necessary.

COOLING FAN

The Vacuum Sealer has an Internal Cooling Fan that runs whenever the unit is plugged in and turned on. To save energy, turn the unit “OFF” (○) and unplug the Power Cord when not in use.

THERMAL OVERLOAD PROTECTOR

The Vacuum Sealer will automatically shut down if it overheats. If this occurs, turn the unit “OFF” (●) and open the Vacuum Lid. Resume normal operation after the unit cools for about 20 minutes.

To help prevent overheating, wait at least 20 seconds between cycles with the Vacuum Lid open. Avoid touching the Seal Bar Tape. The Seal Bar Tape will remain hot for a brief period of time after each sealing cycle.

LIMIT SWITCH

The Vacuum Sealer is equipped with a switch to prevent actuation of the Seal Bar Heating Element in manual mode when the Vacuum Lid is open. When the Vacuum Lid is closed, heat made by the Seal Bar Heating Element is absorbed by the vacuum bag and Vacuum Lid Seal.

When the Vacuum Lid is open, there is no means to dissipate the heat and unit damage may occur.

CONTROL BUTTONS

STOP BUTTON

Press the “STOP” Button to halt the vacuuming process (FIGURE 2).

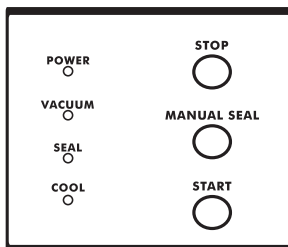
MANUAL SEAL BUTTON

Press the “MANUAL SEAL” Button during the vacuuming process to initiate the seal (before the preset vacuum pressure is reached) (FIGURE 2).

START BUTTON

Press the “START” Button to initiate the vacuuming process (the Vacuum Sealer will automatically seal the bag when a preset vacuum pressure is reached) (FIGURE 2).

FIGURE 2



OPERATING INSTRUCTIONS

⚠ CAUTION Burn Hazard. The Seal Bar and Vacuum Chamber Seal get hot and can cause burns. Avoid contact. Use care when loading and unloading bags.

- DO NOT try to open the Vacuum Lid before the vacuum has released, or unit damage may occur.
- Wait at least 20 seconds between cycles to avoid overheating the unit.
- DO NOT allow liquids, powder, or other small substances to be sucked into the Vacuum Port, or unit damage may occur. Press the “STOP” Button to halt the vacuum process. Use the “MANUAL SEAL” Button when vacuum-sealing liquids.
- The Vacuum Sealer is ONLY intended to be used with VACUUM BAGS. For best results, only use the recommended vacuum bags. DO NOT USE CHAMBER-STYLE OR HOUSEHOLD BAGS! Any other uses of the Vacuum Sealer, other than the uses described in this booklet, could potentially damage the appliance and void the warranty.

1. Make sure the Vacuum Sealer is in the “OFF” (○) position. Attach the Power Cord and plug into the electrical outlet.

2. Turn the Vacuum Sealer “ON.”

3. The “POWER” Light on the display and “POWER INDICATOR” Switch will illuminate, and the Internal Cooling Fan will run.

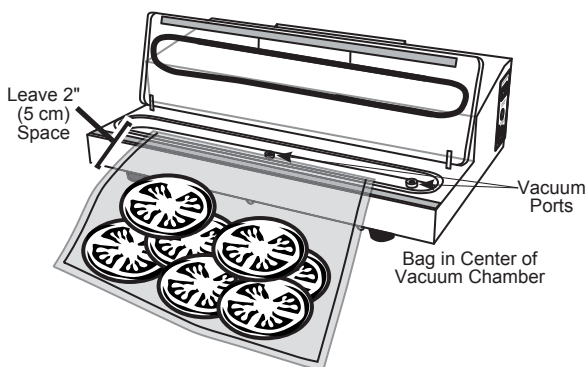
4. Open the Vacuum Lid.

5. Fill a vacuum bag with the product you want to seal. Leave at least 2” (5.1 cm) of space between the open end of the bag and product (FIGURE 3).

6. Load the open end of the bag into the Lower Vacuum Chamber. Center the bag in the Lower Vacuum Chamber. Place the bag close to the Vacuum Ports but do not cover them. Be careful not to touch either strip of Seal Bar Tape which may be HOT from a previous heating cycle.

7. Close the Vacuum Lid. Make sure there are no folds or creases in the bag in the sealing area.

FIGURE 3



8. Press down on the Vacuum Lid Handle to form a tight seal.
9. Press the “START” Button to initiate the vacuuming process (the “VACUUM” Light will illuminate). Release the Vacuum Lid Handle at the first sign of bag collapse. The Vacuum Sealer will automatically seal the bag when a preset vacuum pressure is reached in the Vacuum Chamber. Sealing lasts for 3 seconds (the “SEAL” Light will illuminate).
10. To manually seal a bag, press the “MANUAL SEAL” Button at any time during the vacuuming process.
11. You can stop the vacuuming process at any time by pressing the “STOP” Button.
12. Sealing is complete when the Vacuum Chamber releases after a 3-second cooling period (the “COOL” Light will illuminate). The release is audible.
13. Open the Vacuum Lid and remove the bag. Wait at least 20 seconds before sealing another bag to avoid overheating the unit.
14. Turn the Vacuum Sealer “OFF” (○) and unplug the Power Cord when you are done.

PREPARING VACUUM BAGS FROM A ROLL

1. Make sure the Vacuum Sealer is in the “OFF” (○) position. Attach the Power Cord and plug into the electrical outlet.
2. Turn the Vacuum Sealer “ON.”
3. The “POWER” Light on the display and “POWER INDICATOR” Switch will illuminate, and the Internal Cooling Fan will run.
4. Open the Vacuum Lid.
5. Cut a vacuum bag to the length you want from a roll.
6. Place either open end of the bag against the outer face of the Oval Vacuum Chamber Seal in the Vacuum Chamber.
7. Close the Vacuum Lid. The bag end should be sandwiched between the Vacuum Lid Seal and Seal Bar Heating Element. Make sure there are no wrinkles or creases in the bag in the sealing area.
8. Press and hold the Vacuum Lid Handle down. You may need to continue holding the bag.
9. Press the “START” Button (this will engage the Pump and the Heating Element). Press the “MANUAL SEAL” Button to seal the vacuum bag.
10. Sealing is complete when the Vacuum Chamber releases after a 3-second cooling period (the “COOL” Light will illuminate). The release is audible.
11. Open the Vacuum Lid and remove the bag. DO NOT try to open the Vacuum Lid before the vacuum has released, or unit damage may occur. Wait at least 20 seconds before sealing another bag to avoid overheating the unit.
12. Turn the Vacuum Sealer “OFF” (○) and unplug the Power Cord from the electrical outlet.

SERVICE INSTRUCTIONS

⚠ WARNING Electrical Shock Hazard. Before assembling or disassembling the Vacuum Sealer, make sure the Vacuum Sealer is OFF (○) and the plug is removed from the outlet/power source.

⚠ CAUTION Burn Hazard. The Seal Bar and Vacuum Chamber Seal get hot and can cause burns. Avoid contact. Allow Vacuum Sealer to cool for 20 minutes before servicing.

REMOVING THE OVAL VACUUM CHAMBER SEALS OR THE SEAL BAR TAPE:

1. Turn "OFF" (○) the Vacuum Sealer and unplug from the electrical outlet.
2. Make sure the unit is completely cool.
3. Open the Vacuum Lid.
4. Pull up the Oval Vacuum Chamber Seal from the groove on the underside of the Vacuum Lid and in the plastic Vacuum Chamber.
OR
4. Lift and pull the 15 MM Seal Bar Tape covering the Seal Bar Heating Element. The Vacuum Lid Seal and 10 MM Seal Bar Tape should not have to be replaced often.

REPLACING THE OVAL VACUUM CHAMBER SEALS:

1. Open lid. Pull out the top oval vacuum chamber seal to remove. Repeat to remove the lower oval vacuum chamber seal.
2. Place and press the new seal into the groove of the plastic Vacuum Chamber.
3. Repeat Step 1 for the Vacuum Lid.

REPLACING THE LOWER 15 MM SEAL BAR TAPE:

1. Remove the backing from the new 15 MM Seal Bar Tape. Do not allow the tape to contact anything while the adhesive is exposed.
2. Place one end of the Seal Bar Tape on the flat area to the left side of the Seal Bar Heating Element. Slide and press your finger from the left to the right to cover the heating element and the flat areas to each side. Make sure there are no wrinkles or folds in the Seal Bar Tape.

REPLACING THE UPPER 10 MM SEAL BAR TAPE (shorter tape):

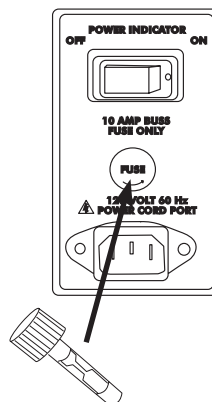
1. Remove the backing from the new 10 MM Seal Bar Tape. Do not allow the tape to contact anything while the adhesive is exposed.
2. Place the tape on the left side of the Seal. Slide and press your finger to the right. Make sure there are no wrinkles or folds in the Seal Bar Tape.

TROUBLESHOOTING

⚠ WARNING Electrical Shock Hazard. Before assembling or disassembling the Vacuum Sealer, make sure the Vacuum Sealer is OFF (○) and the plug is removed from the outlet/power source.

If the Vacuum Sealer does not operate when it is plugged in and turned on, try any or all of the following:

1. Make sure the Fuse is not blown. The Fuse is located on the right side of the unit directly above the Power Cord Port. Turn “OFF” (○) and unplug the Vacuum Sealer. Twist off and remove the Fuse Cap. Remove and check the Fuse. The thin metal band in the center of the Fuse should be clean and unbroken. Only replace fuse with a 10-ampere cartridge fuse. Replace the Fuse Cap.
2. Make sure the Connector at the end of the Power Cord is plugged completely into the Power Cord Port.
3. Make sure the Power Cord is not damaged. DO NOT use a damaged Power Cord. Call Customer Service for information on part replacement.
4. Try connecting the Power Cord Plug to another electrical outlet.



CLEANING INSTRUCTIONS

⚠ WARNING Electrical Shock Hazard. Before cleaning the Vacuum Sealer, make sure the Vacuum Sealer is OFF (○) and the plug is removed from the outlet/power source.

⚠ CAUTION Burn Hazard. The Seal Bar and Vacuum Chamber Seal get hot and can cause burns. Avoid contact. Allow Vacuum Sealer to cool for 20 minutes before cleaning.

- NEVER IMMERSE the Vacuum Sealer in water or other liquid.
- Wipe all outside surfaces including the plastic Vacuum Chamber and Vacuum Lid with a damp cloth or paper towel. Avoid spraying cleaner or any other liquid directly into the vent on the left side of the unit. DO NOT use abrasive cleansers! Abrasive cleansers will spoil the clarity of the Vacuum Lid.
- Avoid peeling or damaging the Seal Bar Tapes.
- Dry all surfaces and close the Vacuum Lid before storing the Vacuum Sealer.

MESURES DE SÉCURITÉ IMPORTANTES

IMPORTANT : Ce manuel d'instructions doit être lu par tous les opérateurs de cet appareil et doit faire partie du programme de formation.

AVERTISSEMENT – Pour utiliser un appareil électroménager, vous devez toujours prendre des mesures élémentaires de sécurité pour réduire le risque d'incendie, d'électrocution et/ou de blessure corporelle, en particulier les mesures suivantes :

1. Lire toutes les instructions.
2. Cet appareil n'est pas destiné à être utilisé par des personnes (y compris les enfants) dont les capacités physiques, sensorielles ou mentales sont réduites, ou manquant d'expérience et de connaissance, sauf si elles sont étroitement surveillées et instruites sur l'utilisation de l'appareil par une personne responsable de leur sécurité.
3. Une surveillance étroite est requise pour tout appareil utilisé par ou près des enfants. Surveiller que les enfants ne jouent pas avec l'appareil.
4. Toujours débrancher la scelleuse sous vide de la source électrique (prise) avant un entretien, le remplacement d'accessoires ou le nettoyage de l'appareil.
5. Brancher la scelleuse sous vide sur une prise de courant murale standard de 120 V, 60 Hz. Éviter si possible l'utilisation de rallonges.
6. Ne pas faire fonctionner un appareil électroménager avec un cordon ou une fiche endommagée, ou lorsque l'appareil ne fonctionne pas bien ou a été échappé ou endommagé d'une manière quelconque. Le remplacement et la réparation du cordon d'alimentation doivent être faits par le fabricant, son agent de service ou toute personne qualifiée de façon à éviter tout danger. Appeler le numéro de service à la clientèle fourni pour des renseignements concernant l'examen, la réparation ou l'ajustement.
7. S'assurer que le cordon d'alimentation ne se trouve pas dans la zone de scellage. S'assurer que toutes les pièces fonctionnent adéquatement et qu'elles accomplissent les fonctions prévues. S'assurer que toutes autres conditions ne nuisent pas au fonctionnement.
8. Ne jamais utiliser un accessoire ou une pièce d'un autre fabricant. Cela annulerait la garantie et pourrait provoquer un incendie, une décharge électrique ou des blessures.
9. Minimiser le risque d'un démarrage accidentel : avant de brancher l'appareil, regarder si son interrupteur est sur OFF (O/arrêt).
10. Veiller à toujours garder les doigts à bonne distance de la bande de scellement à chaud et des bandes de ruban, car ces pièces deviennent très chaudes. Toucher ces pièces pourrait causer des brûlures.
11. NE PAS désosser cet appareil : cela annulerait la garantie et pourrait causer des blessures.
12. Prévention des décharges électriques : ne pas immerger la scelleuse sous vide. Regarder si la scelleuse est débranchée avant de la nettoyer. Suivre les instructions de nettoyage de ce livret. Ne jamais rincer une scelleuse sous le robinet.
13. Ne jamais laisser la scelleuse sans surveillance. Par mesure de précaution, débrancher la scelleuse de la prise murale avant de quitter l'aire de travail.
14. Ne pas laisser pendre le cordon du plan de travail.
15. Vérifier la stabilité de la scelleuse sur le plan de travail, ainsi que la stabilité des pieds.

16. Ne pas utiliser la scelleuse à l'extérieur.
17. Ne pas utiliser la scelleuse après avoir pris des drogues ou de l'alcool.
18. La scelleuse sous vide doit être utilisée uniquement avec des sacs sous vide. Pour obtenir les meilleurs résultats, utiliser seulement les sacs sous vide recommandés. Ne pas utiliser de sacs conçus pour des machines à chambre ou des sacs à usage domestique. Toute utilisation contre-indiquée de cette scelleuse sous vide risque d'endommager l'appareil et pourrait annuler la garantie !

CONSERVER CES DIRECTIVES

AUTRES RENSEIGNEMENTS SUR LA SÉCURITÉ

⚠ AVERTISSEMENT **Risque de choc électrique** : Cet appareil est fourni avec une fiche à prise de terre (3 broches) pour réduire le risque de choc électrique. La fiche ne tient que dans un sens dans une prise mise à la terre. Ne pas transformer le dispositif de sécurité de la fiche en modifiant celle-ci de quelconque façon ou en utilisant un adaptateur. Si vous ne pouvez pas insérer la fiche dans la prise, faire remplacer la prise par un électricien.

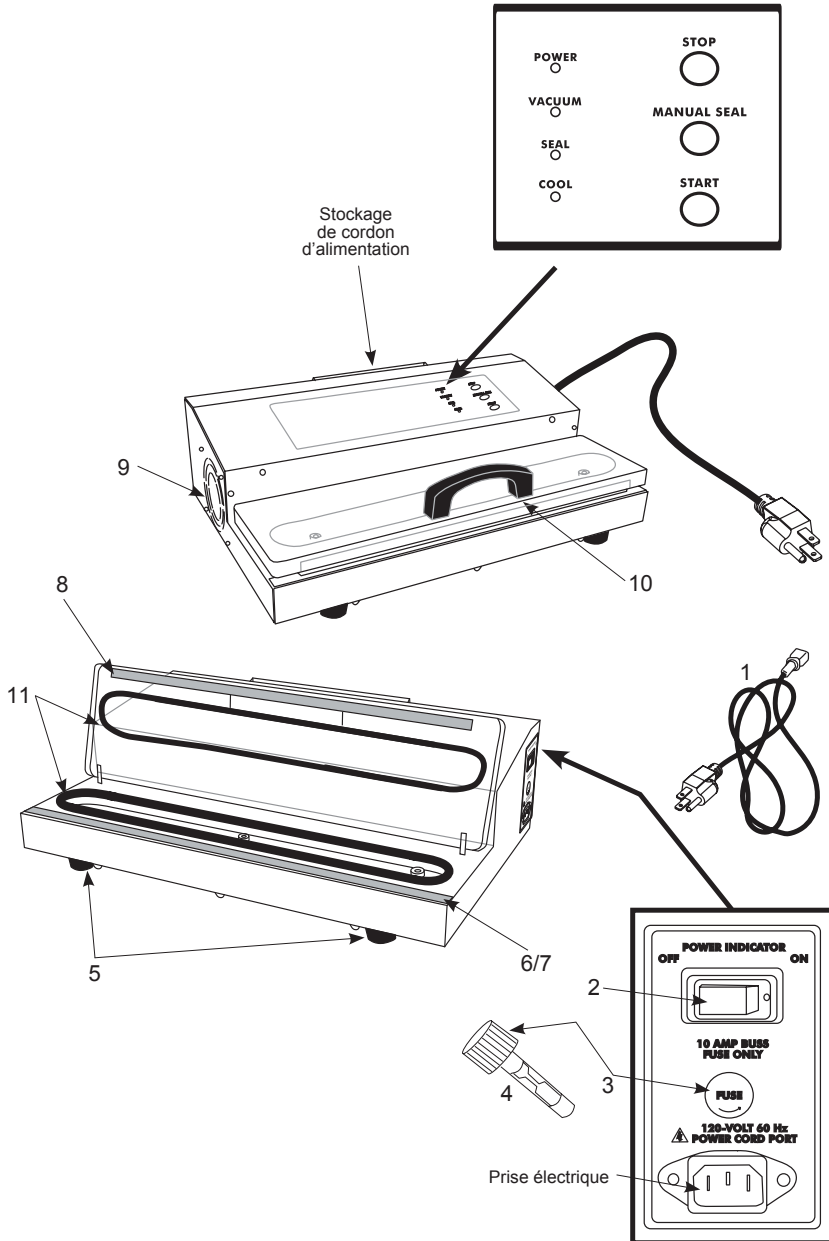
La longueur du cordon installé sur cet appareil a été sélectionnée afin de réduire les risques d'enchevêtrement ou de faux pas causés par un fil trop long. L'utilisation d'une rallonge approuvée est permise si le cordon est trop court. Les caractéristiques électriques de la rallonge doivent être équivalentes ou supérieures aux caractéristiques de l'appareil. La rallonge doit être du type à mise à la terre, à 3 fils. Prendre toutes les précautions nécessaires pour installer la rallonge de manière à ne pas la faire courir sur le comptoir ou sur une table pour éviter qu'un enfant ne tire sur le cordon ou trébuche accidentellement.

Services Techniques

Pour de l'assistance ou pour des pièces de rechange, appeler notre numéro de Services techniques : +910-693-4277 ou 1-866-285-1087

De 08h00 à 17h00 HNE, du lundi au vendredi www.hamiltonbeachcommercial.com

PIÈCES ET CARACTÉRISTIQUES



RUBAN PROTECTEUR

La scelleuse sous vide est protégée par deux (2) bandes de ruban, posées en usine.

NE PAS ENLEVER CES BANDES !



L'élément chauffant de la bande de scellement et le joint du couvercle sont recouverts d'un ruban bandes de ruban qui protège les sacs sous vide pendant le scellage (FIGURE 1). NE PAS enlever la bande de ruban. Consulter les « Instructions d'entretien » à la page 19 pour savoir comment remplacer la bande de ruban, le cas échéant.

REMARQUE : Une bande de ruban de 15 mm de rechange incluse.

GARNITURE DU CANAL D'ASPIRATION

Deux garnitures ovales, superposées en usine, cerclent le canal d'aspiration. Lorsque l'on ferme le couvercle et exerce une pression, les deux garnitures forment un joint qui rend le canal d'aspiration hermétique.

La garniture ovale du canal d'aspiration peut s'user avec le temps et doit être remplacée. Consulter les « Instructions d'entretien » à la page 19 pour savoir comment remplacer la garniture ovale du canal d'aspiration, le cas échéant.

VENTILATEUR

Le ventilateur interne de la scelleuse tourne après que l'on a branché et allumé celle-ci. Pour économiser l'énergie, éteindre (O/OFF) et débrancher le cordon d'alimentation dès la fin de l'utilisation.

LIMITEUR DE SURCHARGE

La scelleuse sous vide s'éteint automatiquement en cas de surchauffe. Si cela se produit, mettre l'interrupteur sur OFF (O/arrêt), puis ouvrir le couvercle. Laisser refroidir l'appareil (env. 20 minutes) avant de le rallumer.

Pour éviter les surchauffes, ouvrir le couvercle et patienter au moins 20 secondes entre chaque scellage. Ne pas toucher le bande de ruban, car il demeure très chaud pendant un moment après un scellage.

INTERRUPTEUR DE POSITION

En mode manuel, l'interrupteur de position de la scelleuse sous vide désactive l'élément chauffant de la bande de scellement lorsque le couvercle est ouvert. En effet, la chaleur produite par l'élément chauffant est absorbée par le sac sous vide et le joint du couvercle lorsque celui-ci est fermé.

Mais s'il est ouvert, la chaleur produite n'a plus aucune avenue de diffusion ; l'appareil risque alors de subir des dommages.

TOUCHES DE COMMANDE

TOUCHE STOP (ARRÊT)

Appuyer sur la touche « STOP » (arrêt) pour arrêter l'aspiration (FIGURE 2).

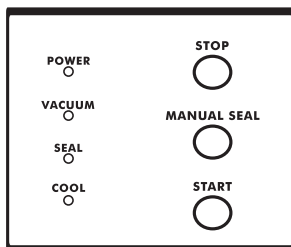
TOUCHE MANUAL SEAL (SCELLAGE MANUEL)

Appuyer sur la touche « MANUAL SEAL » (scellage manuel) pendant l'aspiration pour exécuter le scellage (avant que la pression à vide pré réglée soit atteinte) (FIGURE 2).

TOUCHE START (DÉMARRAGE)

Appuyer sur la touche « START » (démarrage) pour démarrer l'aspiration (le scellage du sac sera alors automatique lorsque la pression à vide pré réglée est atteinte) (FIGURE 2).

FIGURE 2



MODE D'EMPLOI

▲ MISE EN GARDE **Risque de brûlures.** La garniture ovale du canal d'aspiration devient chaude et représente un risque de brûlure. Éviter d'y toucher. Être prudent lors de l'insertion et du retrait des sacs.

- NE PAS tenter d'ouvrir le couvercle avant la fin de l'aspiration, car l'appareil pourrait être endommagé.
- Patienter au moins 20 secondes entre chaque scellage pour que l'appareil ne surchauffe pas.
- NE PAS aspirer des liquides dans l'orifice d'aspiration, sinon l'appareil subira des dommages. S'il le faut, appuyer sur le bouton « STOP » (arrêt) pour arrêter l'aspiration. Utilisez le bouton « MANUAL SEAL » (scellage manuel) d'emballage sous vide liquides.
- La scelleuse sous vide doit être utilisée **UNIQUEMENT** avec des SACS SOUS VIDE. Pour obtenir les meilleurs résultats, utiliser uniquement les sacs sous vide recommandés. **NE PAS UTILISER DE SACS POUR DES MACHINES À CHAMBRE OU DES SACS À USAGE DOMESTIQUE!** Toute utilisation contre-indiquée de cette scelleuse sous vide risque d'endommager l'appareil et pourrait annuler la garantie.

1. S'assurer que la scelleuse sous vide est éteinte (interrupteur sur OFF [O/arrêt]). Installer le cordon d'alimentation et le brancher dans une prise de courant.

2. Allumer la scelleuse (interrupteur sur « ON » [marche]).

3. Le voyant « POWER » (alimentation) sur le tableau et l'interrupteur « POWER INDICATOR » (voyant d'alimentation) s'allument ; le ventilateur interne commence à tourner.

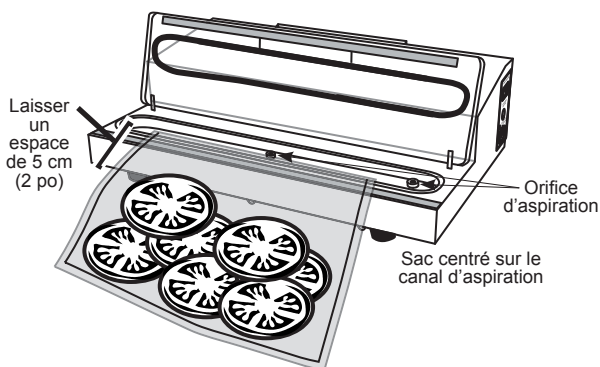
4. Ouvrir le couvercle.

5. Remplir un sac avec le produit souhaité à emballer sous vide. Laisser un espace d'au moins 2 po (5,1 cm) entre l'extrémité ouverte du sac et le produit (FIGURE 3).

6. Placer l'extrémité ouverte du sac à l'intérieur du canal d'aspiration. Centrer le sac sur le canal d'aspiration. Rapprocher le sac de l'orifice d'aspiration, sans recouvrir ce dernier. Prendre garde de ne pas toucher les bandes de ruban, qui risquent d'être TRÈS CHAUDES à la suite d'un scellage précédent.

7. Fermer le couvercle d'aspiration. Le sac doit être parfaitement lisse autour de la zone de scellage.

FIGURE 3



8. À l'aide de la poignée, appuyer fermement sur le couvercle pour créer un joint hermétique.
9. Appuyer sur la touche « START » (démarrage) pour démarrer l'aspiration (le voyant « VACUUM » [vide] s'allumera). Relâcher la poignée dès que l'appareil commence à comprimer le sac. Le scellage du sac est automatique lorsque la pression à vide pré réglée est atteinte dans le canal d'aspiration. Le scellage prend 3 secondes (le voyant « SEAL » [scellage] s'allumera).
10. Pour sceller manuellement un sac appuyer au besoin sur la touche « MANUAL SEAL » (scellage manuel) pendant l'aspiration.
11. Arrêter l'aspiration au besoin en appuyant sur la touche « STOP » (arrêt).
12. L'emballage sous vide est terminé lorsque le canal d'aspiration évacue l'air après un refroidissement de 3 secondes (le voyant « COOL » [froid] s'allumera). Cet échappement est audible.
13. Ouvrir le couvercle, puis sortir le sac. Patienter au moins 20 secondes avant un autre scellage pour que l'appareil ne surchauffe pas.
14. En fin d'utilisation, éteindre l'appareil (interrupteur sur OFF [●/arrêt]), puis le débrancher.

FABRICATION D'UN SAC SUR MESURE AVEC UN ROULEAU

1. S'assurer que la scelleuse sous vide est éteinte (interrupteur sur OFF [●/arrêt]). Installer le cordon d'alimentation et le brancher dans une prise de courant.
2. Allumer la scelleuse (interrupteur sur « ON » [marche]).
3. Le voyant « POWER » (alimentation) sur le tableau et l'interrupteur « POWER INDICATOR » (voyant d'alimentation) s'allument ; le ventilateur interne commence à tourner.
4. Ouvrir le couvercle.
5. Couper le rouleau bien droit à la longueur souhaitée.
6. Placer l'une des extrémités du sac contre la face externe de garniture ovale du canal d'aspiration dans la chambre de vide.
7. Fermer le couvercle d'aspiration. Le sac doit être coincé entre le joint du couvercle et l'élément chauffant de la bande de scellement. Le sac doit être parfaitement lisse autour de la zone de scellage.
8. À l'aide de la poignée, appuyer fermement sur le couvercle. Il faudra parfois tenir le sac.
9. Appuyer sur la touche « START » (démarrage) pour activer la pompe et l'élément chauffant. Appuyer sur la touche « MANUAL SEAL » (scellage manuel) pour sceller le sac.
10. L'emballage sous vide est terminé lorsque le canal d'aspiration évacue l'air après un refroidissement de 3 secondes (le voyant « COOL » [froid] s'allumera). Cet échappement est audible.
11. Ouvrir le couvercle, puis sortir le sac. NE PAS tenter d'ouvrir le couvercle avant la fin de l'aspiration, car l'appareil pourrait être endommagé. Patienter au moins 20 secondes avant un autre scellage pour que l'appareil ne surchauffe pas.
12. Éteindre (●/OFF) la scelleuse sous vide et débrancher le cordon d'alimentation de la prise de courant.

INSTRUCTIONS D'ENTRETIEN

⚠ AVERTISSEMENT **Risque de décharge électrique.** Avant au montage ou au démontage de la scelleuse, vérifier qu'elle est OFF (O/arrêt) et que sa fiche est débranchée de la prise/source d'alimentation.

⚠ MISE EN GARDE **Risque de brûlures.** La garniture ovale du canal d'aspiration devient chaude et représente un risqué de brûlure. Éviter d'y toucher. Laisser refroidir la scelleuse sous vide pendant 20 minutes avant d'effectuer l'entretien.

POUR RETIRER LES GARNITURES OVALES DU CANAL D'ASPIRATION OU LA BANDE DE RUBAN :

1. Éteindre (O/OFF) la scelleuse sous vide et débrancher le cordon de la prise de courant.
 2. S'assurer que l'appareil est complètement refroidi.
 3. Ouvrir le couvercle de la scelleuse.
 4. Soulever et retirer la garniture ovale du canal d'aspiration de la rainure opposée au couvercle de la scelleuse et dans la chambre d'aspiration en plastique.
- OU
4. Soulever et retirer la bande de ruban de 15 mm couvrant l'élément chauffant. Le joint du couvercle et la bande de ruban de 10 mm ne doit pas être remplacé fréquemment.

REPLACEMENT DES GARNITURES OVALES DE LA CHAMBRE D'ASPIRATION :

1. Ouvrir le couvercle. Retirer la garniture ovale de la chambre d'aspiration en la soulevant. Répéter pour retirer la garniture ovale inférieure de la chambre d'aspiration.
2. Placer et appuyer la nouvelle garniture dans la rainure de la chambre d'aspiration en plastique.
3. Répéter l'étape 1 pour la garniture du couvercle de la scelleuse.

REPLACEMENT DE LA BANDE DE RUBAN INFÉRIEURE DE 15 MM :

1. Retirer la pellicule de la bande de ruban de 15 mm neuve. Éviter tout contact de la bande avec des objets dès que la pellicule est retirée.
2. Placer une extrémité de la bande de ruban dans la zone plate du canal d'aspiration, juste à gauche de l'élément chauffant. Glisser et presser le doigt de gauche à droite pour couvrir la longueur de l'élément chauffant et les zones plates de chaque côté. S'assurer que la bande de ruban ne comporte pas de plis et n'est pas pliée.

REPLACEMENT DE LA BANDE DE RUBAN SUPÉRIEURE DE 10 MM (ruban court) :

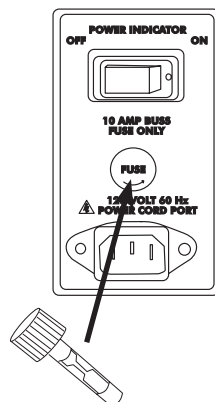
1. Retirer la pellicule de la bande de ruban de 10 mm neuve. Éviter tout contact de la bande avec des objets dès que la pellicule est retirée.
2. Placer le ruban sur le côté gauche de la scelleuse. Glisser et appuyer le doigt vers la droite. S'assurer que la bande de ruban ne comporte pas de plis et n'est pas pliée.

DÉPANNAGE

⚠ AVERTISSEMENT **Risque de décharge électrique.** Avant au montage ou au démontage de la scelleuse, vérifier qu'elle est OFF (O/arrêt) et que sa fiche est débranchée de la prise/source d'alimentation.

Si la scelleuse sous vide ne fonctionne pas lorsqu'elle est branchée et allumée, faire les vérifications suivantes :

1. Regarder si le fusible a sauté. Le fusible se trouve à droite sur l'appareil, juste au-dessus de la prise du cordon. Éteindre la scelleuse (interrupteur sur OFF [O/arrêt]), puis la débrancher. Dévisser et retirer le capuchon, puis sortir et examiner le fusible. La bande mince de métal au centre du fusible doit être propre et intacte. Remplacer le fusible par un fusible à cartouche de 10 ampères seulement. Revisser le capuchon.
2. Regarder si le connecteur du cordon est enfoncé complètement dans la prise de l'appareil.
3. Examiner le cordon pour voir s'il est intact. NE PAS utiliser un cordon d'alimentation endommagé. Appeler le service à la clientèle pour se renseigner sur le remplacement de pièces.
4. Brancher la fiche du cordon sur une autre prise électrique.



INSTRUCTIONS DE NETTOYAGE

⚠ AVERTISSEMENT **Risque de décharge électrique.** Avant de procéder à l'entretien, au montage ou au démontage de la scelleuse, vérifier qu'elle est OFF (O/arrêt) et que sa fiche est débranchée de la prise/source d'alimentation.

⚠ MISE EN GARDE **Risque de brûlures.** La garniture ovale du canal d'aspiration devient chaude et représente un risque de brûlure. Éviter d'y toucher. Laisser refroidir la scelleuse sous vide pendant 20 minutes avant d'effectuer l'entretien.

- NE JAMAIS IMMERGER la scelleuse dans l'eau ou tout autre liquide.
- Passer un chiffon humide ou un essuie-tout sur les surfaces externes, notamment sur le canal d'aspiration et le couvercle. Éviter de vaporiser un nettoyant ou tout autre liquide directement dans l'évent situé à gauche de l'appareil. NE PAS utiliser des abrasifs ! En effet, les abrasifs détruiront le brillant du couvercle.
- Éviter de peler ou d'endommager les bandes de ruban.
- Sécher les surfaces et fermer le couvercle avant de ranger la scelleuse.

NOTES

SALVAGUARDIAS IMPORTANTES

IMPORTANTE: Este manual de operaciones debe analizarse con todos los operadores del equipamiento como parte del programa de capacitación de los operadores.

ADVERTENCIA – Cuando utilice artefactos eléctricos, siempre deben seguirse precauciones de seguridad básicas a fin de reducir el riesgo de incendio, descarga eléctrica, y/o lesiones a personas, incluyendo las siguientes:

1. Lea todas las instrucciones.
2. Este aparato no se destina para utilizarse por personas (incluyendo niños) cuyas capacidades físicas, sensoriales o mentales sean diferentes o estén reducidas, o carezcan de experiencia o conocimiento, a menos que dichas personas reciban una supervisión o capacitación para el funcionamiento del aparato por una persona responsable de su seguridad.
3. Se requiere de una estrecha supervisión cuando el aparato se use cerca de niños. Los niños deben supervisarse para asegurar que ellos no empleen los aparatos como juguete.
4. Verifique que el voltaje de su instalación corresponda con el del producto.
5. Siempre desconecte la selladora al vacío de la fuente de alimentación antes de realizar mantenimiento, cambiar los accesorios o limpiar la unidad.
6. Enchufe la selladora al vacío a un tomacorriente estándar de pared de 120 voltios, 60 Hz. Evite usar prolongadores.
7. No opere ningún aparato con cables o enchufe dañados o después de que el aparato funcione mal o se caiga o dañe de cualquier manera. El reemplazo del cable de suministro y las reparaciones deben ser efectuadas por el fabricante, su agente de servicio, o personas igualmente calificadas para poder evitar un peligro. Llame al número de servicio al cliente proporcionado para información sobre examinación, reparación o ajuste.
8. Asegúrese de no permitir que el cable de alimentación cuelgue sobre el área de trabajo. Verifique que todas las piezas estén funcionando correctamente y que realicen las funciones para las que están concebidas. Verifique otras condiciones que puedan afectar el funcionamiento.
9. Nunca utilice ningún accesorio o pieza de otro fabricante. Utilizar una pieza de otro fabricante anulará la garantía y podría provocar un incendio, una descarga eléctrica o lesiones.
10. Reduzca el riesgo de arranques involuntarios. Asegúrese de que el interruptor de encendido se encuentre en la posición "OFF" (●/apagado) antes de conectar a la fuente de alimentación.
11. Mantenga los dedos fuera del calentador de la barra de sellado y de la cinta de la barra de sellado en todo momento, ya que estas áreas se calientan. Hacerlo puede causar lesiones graves.
12. No desarme la máquina, hacerlo anulará la garantía y podría causar lesiones personales.
13. Para la protección ante el riesgo de descarga eléctrica: no sumerja la selladora al vacío en agua o líquido. Asegúrese de que la selladora al vacío se encuentre desconectada de la fuente de alimentación antes de limpiarla. Siga las "Instrucciones de limpieza" de este manual. Nunca enjuague la máquina selladora al vacío bajo el grifo.
14. Nunca deje la selladora al vacío sin supervisión. Actúe con precaución, desconecte la selladora al vacío de la fuente de alimentación antes de irse del área de trabajo.

15. No deje que el cable de alimentación cuelgue sobre el borde de la superficie de trabajo.
16. Asegúrese de que la selladora al vacío se encuentre sobre una superficie de trabajo estable. Asegúrese de que las patas de la selladora al vacío se encuentren estables.
17. No utilice la selladora al vacío en el exterior.
18. No use la selladora al vacío bajo los efectos de drogas, medicamentos o alcohol.
19. La selladora al vacío debe utilizarse solo con las bolsas al vacío. Para obtener mejores resultados, solo utilice las bolsas al vacío recomendadas. No utilice bolsas concebidas para máquinas estilo cámara o bolsas domésticas. Todo otro uso de la selladora al vacío que no sea el descrito en este manual, podría dañar la máquina y anulará la garantía!

GUARDE ESTAS INSTRUCCIONES

INFORMACIÓN DE SEGURIDAD ADICIONAL

⚠ ADVERTENCIA Peligro de Descarga Eléctrica: Este aparato es provisto con un enchufe con conexión a tierra (3 clavijas) para reducir el riesgo de una descarga eléctrica. El enchufe calza únicamente en una dirección dentro de un tomacorriente con conexión a tierra. No elimine el propósito de seguridad del enchufe modificando el enchufe de ninguna manera o usando un adaptador. Si el enchufe no entra en la toma, haga que un electricista reemplace la toma.

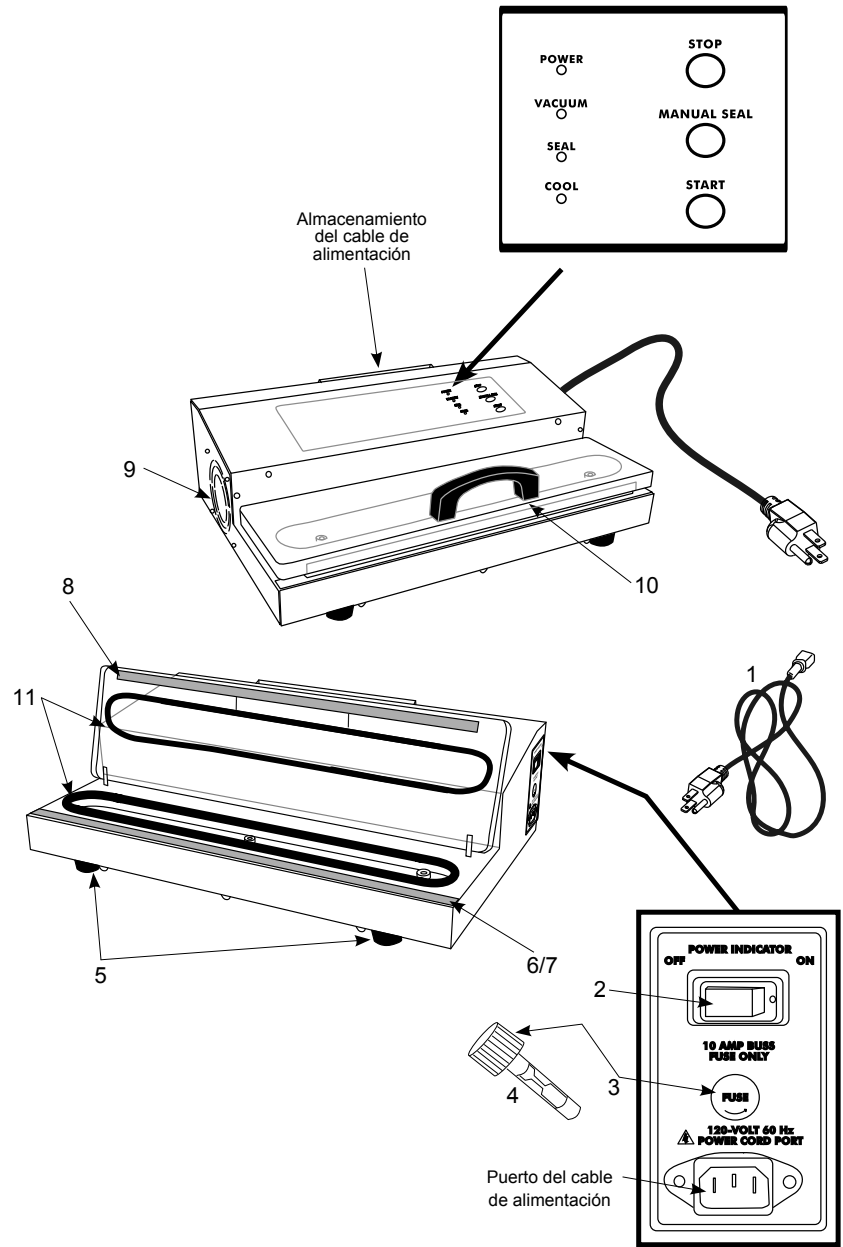
La longitud del cable usado para este aparato fue seleccionado para reducir los riesgos de enredarse o tropezarse con un cable más largo. Si se necesita un cable más largo se puede usar una extensión aprobada. La clasificación eléctrica de la cable extensión debe ser igual o mayor que la clasificación del aparato. El cable de extensión debe ser del tipo de conexión a tierra con 3 cables. Es importante tener cuidado de colocar el cable de extensión para que no se pliegue sobre el mostrador o la mesera en donde niños puedan tirar del mismo o tropezarse accidentalmente.

Servicios Técnicos

Para asistencia o piezas de repuesto, llame a nuestro número de Servicios Técnicos:
+910-693-4277 o 1-866-285-1087

8 a.m. – 5 p.m. EST Lunes – Viernes www.hamiltonbeachcommercial.com

PIEZAS Y CARACTERÍSTICAS



CINTA PROTECTORA

Existen dos (2) tiras de cinta de la barra de sellado instaladas de fábrica en la selladora al vacío.

¡NO EXTRAIGA LA CINTA!



El elemento calentador de la barra de sellado y el sello de la tapa de vacío se encuentran cubiertos con una cinta de barra de sellado para proteger a las bolsas al vacío durante el sellado (FIGURA 1). NO quite la cinta de la barra de sellado. Ver las "Instrucciones de mantenimiento" de la página 29 para más información sobre cómo reemplazar la cinta de la barra de sellado, si fuera necesario.

NOTA: Se incluye una cinta de la barra de sellado de 15 MM extra.

SELLOS DE LA CÁMARA DE VACÍO

Existen dos sellos ovalados de la cámara de vacío instalados de fábrica en la selladora al vacío. Cuando la tapa de vacío se encuentra cerrada y se empuja hacia abajo, forma un sellado hermético para que la selladora al vacío se pueda extraer.

Los sellos ovalados de la cámara de vacío pueden desgastarse con el tiempo y pueden necesitar su reemplazo. Ver las "Instrucciones de mantenimiento" de la página 29 para más información sobre cómo reemplazar los sellos ovalados de la cámara de vacío, si fuera necesario.

VENTILADOR DE REFRIGERACIÓN

La selladora al vacío cuenta con un ventilador de refrigeración interno que funciona siempre que la unidad está conectada y encendida. Para ahorrar energía, apague (O/OFF) la unidad y desenchufe el cable de alimentación cuando no esté en uso.

PROTECTOR DE SOBRECARGA TÉRMICA

La selladora al vacío dejará de funcionar de manera automática si se recalienta. Si esto ocurriese, apague (O/OFF) la unidad y abra la tapa de vacío. Reanude el funcionamiento normal luego de que la unidad se haya enfriado durante alrededor de 20 minutos.

Para ayudar a evitar que se recaliente, espere por los menos 20 segundos entre los ciclos con la tapa de vacío abierta. Evite tocar la cinta de la barra de sellado. La cinta de la barra de sellado permanecerá caliente durante un periodo de tiempo breve luego de cada ciclo de sellado.

INTERRUPTOR DE LÍMITE

La selladora al vacío está equipada con un interruptor para evitar el accionamiento del elemento calentador de la barra de sellado en modo manual cuando la tapa de vacío está abierta. Cuando la tapa de vacío está cerrada, el calor producido por el elemento calentador de la barra de sellado se absorbe por la bolsa de vacío y el sello de la tapa de vacío.

Cuando la tapa de vacío está abierta, no hay forma de disipar el calor y la unidad podría dañarse.

BOTONES DEL CONTROL

BOTÓN “STOP” (detener)

Presione el botón “STOP” (detener) para detener el proceso de vacío (FIGURA 2).

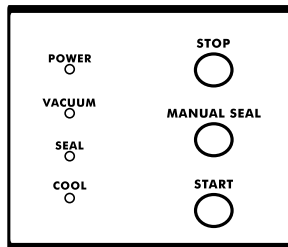
BOTÓN “MANUAL SEAL” (sellado manual)

Presione el botón “MANUAL SEAL” (sellado manual) durante el proceso de vacío para iniciar el sellado (antes de que la presión de vacío predeterminada se alcance) (FIGURA 2).

BOTÓN “START” (arranque)

Presione el botón “START” (arranque) para iniciar el proceso de vacío (la selladora al vacío sellará de manera automática la bolsa cuando la presión de vacío predeterminada se alcance) (FIGURA 2).

FIGURA 2



INSTRUCCIONES DE FUNCIONAMIENTO

⚠ PRECAUCIÓN Peligro de Quemaduras. La barra de sellado y el sello de la cámara de vacío se calientan y pueden provocar quemaduras. Evite todo contacto. Tenga cuidado al cargar y descargar bolsas.

- NO intente abrir la tapa de vacío antes de que el vacío se libere o se pueden producir daños a la unidad.
- Espere al menos 20 segundos entre ciclos para evitar que la unidad se recaliente.
- NO permita que líquidos, polvo u otras sustancias pequeñas se succionen en el puerto de vacío o se pueden producir daños a la unidad. Presione el botón "STOP" (detener) para detener el proceso de vacío. Utilice el botón "MANUAL SEAL" (sellado manual) cuando se encuentre sellando líquidos.
- La selladora al vacío debe utilizarse SOLO con las BOLSAS AL VACÍO. Para obtener mejores resultados, solo utilice las bolsas al vacío recomendadas. ¡NO UTILICE BOLSAS ESTILO CÁMARA O DOMÉSTICAS! Todo otro uso de la selladora al vacío que no sea el descrito en este manual, podría dañar la máquina y anulará la garantía.

1. Asegúrese de que la selladora al vacío se encuentre en la posición "OFF" (○/apagado). Conecte el cable de alimentación y enchúfelo a un tomacorriente.

2. Coloque la selladora al vacío en posición "ON" (encendido).

3. La luz "POWER" (alimentación) en la pantalla y el interruptor "POWER INDICATOR" (indicador de alimentación) se encenderán y el ventilador de refrigeración interno funcionará.

4. Abra la tapa de vacío.

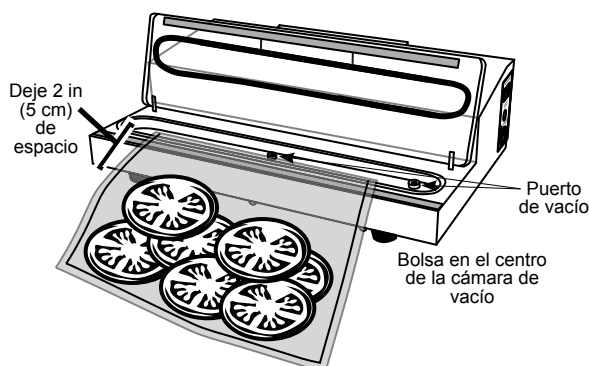
5. Llene la bolsa al vacío con el producto que desee sellar. Deje al menos 2 pulgadas (5 cm) de espacio entre el extremo abierto de la bolsa y el producto (FIGURE 3).

6. Cargue el extremo abierto de la bolsa en la cámara de vacío inferior. Centre la bolsa en la cámara de vacío inferior. Coloque la bolsa cerca, pero no cubra el puerto de vacío. Tenga cuidado de no tocar ninguna de las tiras de la cinta de la barra de sellado que pueden estar CALIENTES de un ciclo de calentamiento previo.

7. Cierre la tapa de vacío. Asegúrese de que no haya pliegues o dobleces en la bolsa en el área de sellado.

8. Presione la manivela de la tapa de vacío para formar un sellado firme.

FIGURA 3



9. Presione el botón "START" (arranque) para iniciar el proceso de vacío (la luz de "VACUUM" [vacío] se encenderá). Suelte la manivela de la tapa de vacío al primer signo de que la bolsa se va a colapsar. La selladora al vacío sellará de manera automática la bolsa cuando la presión de vacío predeterminada se alcance en la cámara de vacío. El sellado dura por 3 segundos (la luz "SEAL" [sellado] se encenderá).
10. Para sellar una bolsa de manera manual presione el botón "MANUAL SEAL" (sellado manual) en cualquier momento durante el proceso de vacío.
11. Puede detener el proceso de vacío en cualquier momento al presionar el botón "STOP" (detener).
12. El sellado se completa cuando la cámara de vacío se libera luego de 3 segundos del periodo de refrigeración (la luz "COOL" [fría] se encenderá). La liberación es audible.
13. Abra la tapa de vacío y extraiga la bolsa. Espere al menos 20 segundos antes de sellar otra bolsa para evitar que la unidad se recaliente.
14. Cuando termine, coloque la selladora al vacío en "OFF" (●/apagado) y desenchufe el cable de alimentación.

PREPARACIÓN DE BOLSAS AL VACÍO DE UN ROLLO

1. Asegúrese de que la selladora al vacío se encuentre en la posición "OFF" (●/apagado). Conecte el cable de alimentación y enchúfelo a un tomacorriente.
2. Coloque la selladora al vacío en posición "ON" (encendido).
3. La luz "POWER" (alimentación) en la pantalla y el interruptor "POWER INDICATOR" (indicador de alimentación) se encenderán y el ventilador de refrigeración interno funcionará.
4. Abra la tapa de vacío.
5. Corte del rollo una bolsa al vacío con el largo que desee.
6. Coloque cualquier extremo de la bolsa contra la parte externa del sello ovalado de la cámara de vacío en la cámara de vacío (no en la cámara de vacío).
7. Cierre la tapa de vacío. El extremo de la bolsa debería encontrarse interpuesto entre el sello de la tapa de vacío y el calentamiento de la barra de sellado. Asegúrese de que no haya pliegues en la bolsa en el área de sellado.
8. Presione y mantenga apretada la manivela de la tapa de vacío. Puede ser que deba continuar sosteniendo la bolsa.
9. Presione el botón "START" (arranque) (esto hará que la bomba y el elemento calentador se pongan en funcionamiento). Presione el botón "MANUAL SEAL" (sellado manual) para sellar la bolsa al vacío.
10. El sellado se completa cuando la cámara de vacío se libera luego de 3 segundos del periodo de refrigeración (la luz "COOL" [fría] se encenderá). La liberación es audible.
11. Abra la tapa de vacío y extraiga la bolsa. NO intente abrir la tapa de vacío antes de que el vacío se libere o se pueden producir daños a la unidad. Espere al menos 20 segundos antes de sellar otra bolsa para evitar que la unidad se recaliente.
12. Apague (●/OFF) la selladora al vacío y desconecte el cable de alimentación del tomacorriente.

INSTRUCCIONES DE MANTENIMIENTO

⚠ ADVERTENCIA Peligro de Descarga Eléctrica. Antes ensamblar o desarmar, asegúrese de que la selladora al vacío se encuentre OFF (O/apagado) y que el enchufe se haya retirado del tomacorriente o de la fuente de alimentación!

⚠ PRECAUCIÓN Peligro de Quemaduras. La barra de sellado y el sello de la cámara de vacío se calientan y pueden provocar quemaduras. Evite todo contacto. Permita que la selladora al vacío se enfríe por 20 minutos antes de efectuar cualquier clase de mantenimiento.

CÓMO QUITAR LOS SELLOS OVALADOS DE LA CÁMARA DE VACÍO O LA CINTA DE LA BARRA DE SELLADO:

1. Apague (O) la selladora al vacío y desenchúfela del tomacorriente.
2. Verifique que la unidad esté completamente fría.
3. Abra la tapa de vacío.
4. Quite el sello ovalado de la cámara de vacío de la ranura ubicada en la parte inferior de la tapa de vacío y la cámara de vacío plástica.
O
4. Levante y tire de la cinta de la barra de sellado de 15 mm que cubre el elemento calentador de la barra de sellado. El sello de la tapa de vacío y la cinta de la barra de sellado de 10 mm no debería tener que reemplazarse a menudo.

CÓMO REEMPLAZAR LOS SELLOS OVALADOS DE LA CÁMARA DE VACÍO:

1. Abra la tapa. Para quitar el sello ovalado de la cámara de vacío, jale hacia afuera. Repita el movimiento para quitar el sello ovalado de la cámara de vacío inferior.
2. Coloque y presione el sello nuevo dentro de la ranura de la cámara de vacío plástica.
3. Repita el paso 1 para la tapa de vacío.

CÓMO REEMPLAZAR LA CINTA DE LA BARRA DE SELLADO DE 15 MM INFERIOR:

1. Quite el protector posterior de la nueva cinta de la barra de sellado de 15 mm. No permita que la cinta entre en contacto con ningún elemento mientras el adhesivo se encuentra expuesto.
2. Coloque un extremo de la cinta de la barra de sellado en el área plana hacia el lado izquierdo del elemento calentador de la barra de sellado. Deslice y presione su dedo de izquierda a derecha para cubrir el elemento calentador y las áreas planas para cada lado. Asegúrese de que no haya arrugas o pliegues en la cinta de la barra de sellado.

CÓMO REEMPLAZAR LA CINTA DE LA BARRA DE SELLADO DE 10 MM SUPERIOR (CINTA MÁS CORTA):

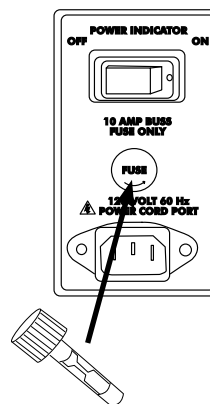
1. Quite el protector posterior de la nueva cinta de la barra de sellado de 10 mm. No permita que la cinta entre en contacto con ningún elemento mientras el adhesivo se encuentra expuesto.
2. Coloque la cinta en el lado izquierdo del sello. Deslice y presione su dedo hacia la derecha. Asegúrese de que no haya arrugas o pliegues en la cinta de la barra de sellado.

RESOLVIENDO PROBLEMAS

⚠ ADVERTENCIA Peligro de Descarga Eléctrica. Antes ensamblar o desarmar, asegúrese de que la selladora al vacío se encuentre OFF (O/apagado) y que el enchufe se haya retirado del tomacorriente o de la fuente de alimentación!

Si la selladora al vacío no funciona cuando se la enchufa y enciende, intente con alguna de las siguientes opciones o con todas:

1. Asegúrese de que el fusible no esté quemado. El fusible se encuentra en el lateral derecho de la unidad, justo por encima del puerto del cable de alimentación. Apague (O) y desenchufe la selladora al vacío. Desenrosque y extraiga el portafusible. Extraiga y revise el fusible. La delgada banda de metal en el centro del fusible debe estar limpia y sana. Sólo reemplace el fusible con un fusible de cartucho de 10 amperios. Vuelva a colocar el portafusible.
2. Asegúrese de que el conector en el extremo del cable de alimentación esté conectado completamente en el puerto del cable de alimentación.
3. Asegúrese de que el cable de alimentación no esté dañado. NO utilice un cable de alimentación que esté dañado. Llame a la línea de Servicio de Atención al Cliente para obtener más información sobre el reemplazo de piezas.
4. Intente conectar el enchufe del cable de alimentación a otro tomacorriente.



INSTRUCCIONES DE LIMPIEZA

⚠ ADVERTENCIA Peligro de Descarga Eléctrica. Antes de limpiar asegúrese de que la selladora al vacío se encuentre OFF (O/apagado) y que el enchufe se haya retirado del tomacorriente o de la fuente de alimentación!

⚠ PRECAUCIÓN Peligro de Quemaduras. La barra de sellado y el sello de la cámara de vacío se calientan y pueden provocar quemaduras. Evite todo contacto. Permita que la selladora al vacío se enfríe por 20 minutos antes de efectuar cualquier clase de mantenimiento.

- NUNCA SUMERJA la selladora al vacío en agua o líquido.
- Limpie todas las superficies exteriores, incluidas la cámara de vacío de plástico y la tapa de vacío con un paño o con una toalla de papel húmedos. Evite rociar limpiador o cualquier otro líquido directamente dentro de la ventilación ubicada en el lado izquierdo de la unidad. ¡NO utilice limpiadores abrasivos! Los limpiadores abrasivos estropearán la claridad de la tapa de vacío.
- Evite pelar o dañar las cintas de la barra de sellado.
- Seque todas las superficies y cierre la tapa de vacío antes de guardar la selladora al vacío.

NOTAS

Modelo:
HVS400

Tipo:
XV01

Características Eléctricas:
120 V~ 60 Hz 1020 W

Los modelos incluidos en el instructivo de Uso y Cuidado pueden ir seguidos o no por un sufijo correspondiente a una o varias letras del alfabeto y sus combinaciones, separadas o no por un espacio, coma, diagonal, o guión. Como ejemplos los sufijos pueden ser: "Y" y/o "MX" y/o "MXY" y/o "Z".



840260300
04/16

4421 Waterfront Drive
Glen Allen, VA 23060
www.hamiltonbeachcommercial.com