

Hamilton Beach
COMMERCIAL

Stainless Steel Coffee Urn Urne à café stainless steel Cafetera stainless steel

For Questions: 1.800.851.8900
For recipes, tips, product
information and registration:
hamiltonbeachcommercial.com

Pour des questions :
1.800.267.2826
Pour des recettes, des conseils,
des renseignements sur le
produit et l'enregistrement:
hamiltonbeachcommercial.ca

Para preguntas: 800 71 16 100
Para recetas, consejos,
información del
producto y registro:
hamiltonbeachcommercial.com.mx

Read before use.
Lire avant utilisation.
Lea antes de usar.

Le invitamos a leer cuidadosamente este instructivo antes de usar su aparato.

IMPORTANT SAFEGUARDS

When using electrical appliances, basic safety precautions should always be followed to reduce the risk of fire, electric shock, and/or injury to persons, including the following:

- Read all instructions.
- This appliance is not intended for use by persons (including children) with reduced physical, sensory, or mental capabilities, or lack of experience and knowledge, unless they are closely supervised and instructed concerning use of the appliance by a person responsible for their safety.
- Close supervision is necessary when any appliance is used by or near children. Children should be supervised to ensure that they do not play with the appliance.
- Do not touch hot surfaces. Use handles or knobs. Care must be taken, since burns can occur from touching hot parts or from spilled, hot liquid.
- To protect against fire, electric shock, and injury to persons, do not immerse cord, plug, or urn in water or other liquid.
- Unplug from outlet when either the coffee urn is not in use and before cleaning. Allow to cool before putting on or taking off parts and before cleaning the appliance.
- Coffee urn must be operated on a flat surface away from the edge of counter to prevent accidental tipping.
- Do not operate any appliance with a damaged supply cord or plug, or after the appliance malfunctions or has been dropped or damaged in any manner. Supply cord replacement and repairs must be conducted by the manufacturer, its service agent, or similarly qualified persons in order to avoid a hazard. Call the provided customer service number for information on examination, repair, or adjustment.
- The use of accessory attachments not recommended by the appliance manufacturer may result in fire, electric shock, or personal injury.
- Do not use outdoors.
- Do not let cord hang over edge of table or counter or touch hot surfaces, including stove.
- Be certain lid is securely in place during brew cycle and when serving coffee.
- Scalding may occur if lid is removed during brew cycle.
- Do not place coffee urn on or near a hot gas or electric burner or in a heated oven.
- WARNING!** To reduce the risk of fire or electric shock, do not remove the bottom cover. No user-serviceable parts are inside. Repair should be done by authorized service personnel only.
- Do not use appliance for other than intended use.
- Vessel may remain hot after unit is turned off.
- To disconnect coffee urn, remove plug from wall outlet. To unplug, grasp the plug and pull from the outlet. Never pull from the power cord.
- Do not place coffee urn in a cabinet when in use.

SAVE THESE INSTRUCTIONS

Other Consumer Safety Information

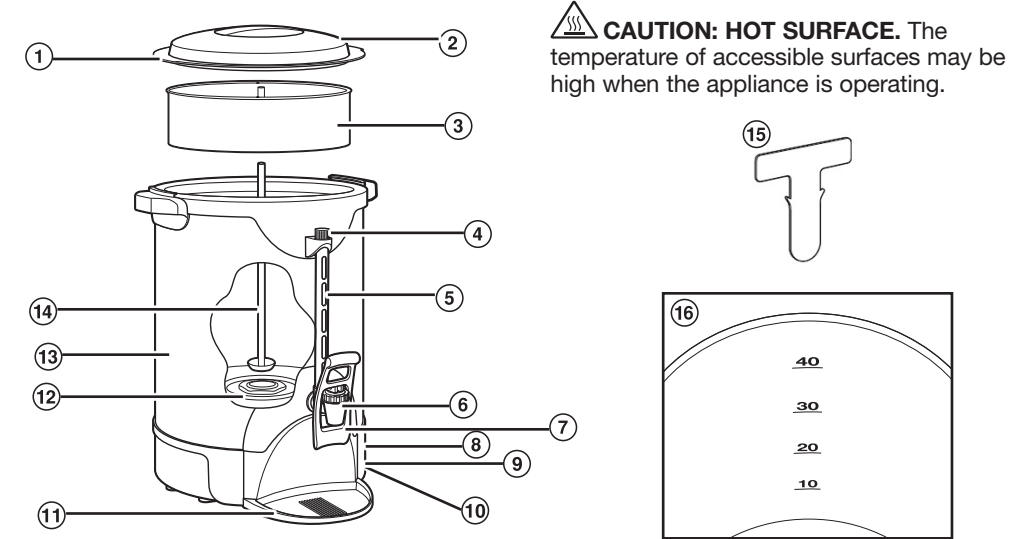
⚠ WARNING Electrical Shock Hazard: This appliance is provided with a grounded (3-prong) plug to reduce the risk of electric shock. The plug fits only one way into a grounded outlet. Do not defeat the safety purpose of the plug by modifying the plug in any way or by using an adapter. If the plug does not fit into the outlet, have an electrician replace the outlet.

The length of the cord used on this appliance was selected to reduce the hazards of becoming tangled in or tripping over a longer cord. If a longer cord is necessary, an approved extension cord may be used. The electrical rating of the extension cord must be equal to or greater than the rating of the appliance. The

extension cord must be a grounding-type, 3-wire cord. Care must be taken to arrange the extension cord so that it will not drape over the countertop or tabletop where it can be pulled on or accidentally tripped over.

To avoid an electrical circuit overload, do not use another high-wattage appliance on the same circuit with this appliance. This appliance is intended to be used in household and similar applications such as: staff kitchen areas in shops, offices and other working environments; farm houses; by clients in hotels, motels and other residential type environments; bed and breakfast type environments.

Parts and Features



- | | | |
|--------------------------|-----------------------------------|--------------------------------|
| 1. Locking Tabs | 7. Cup Trip Handle | 13. Urn |
| 2. Lid | 8. Warm Light | 14. Pump Tube |
| 3. Coffee Basket | 9. Brew Light | 15. Heating Well Cleaning Tool |
| 4. Coffee Level Tube Cap | 10. Power Switch (on side of Urn) | 16. Water Level Marking |
| 5. Coffee Level Tube | 11. Removable Drip Tray | |
| 6. Serving Spout | 12. Heat Well | |

To Make Coffee

Before first use: Clean Coffee Urn by following the steps in "How to Clean."

- To remove the Lid, turn counterclockwise until Locking Tabs completely clear handles on each side of the body; then lift up. Take out Coffee Basket and Pump Tube with Spring. For best results, always fill with cold, fresh tap water to the level indicator mark inside the body for the number of cups* desired. Depending on model, Coffee Urn will make up to 40, 75, or 100 cups. DO NOT OVERFILL COFFEE URN.
*1 cup = 5 ounces
- Wet Coffee Basket (this helps to keep small particles of coffee grinds from sifting through). Use a standard dry measuring cup and tablespoon to add regular- or percolator-grind coffee to the Basket. The amount of coffee can be varied to suit your taste; use less for weaker coffee or more for stronger coffee.
- Place Basket on Pump Tube. Then, holding top of Pump Tube, lower it into Coffee Urn until bottom of Pump Tube is properly seated in the Heat Well in center (if not, Coffee Urn may not percolate).
- Place the Lid on the Urn so that Locking Tabs are at the front and back of Coffee Urn.
- Turn Lid clockwise until Locking Tabs are fully engaged inside the handles on both sides of Coffee Urn. Never plug in Coffee Urn without Lid in place and Locking Tabs fully engaged inside handles.
- Plug into outlet. Press Power Switch to start brewing and Brew Light will illuminate.
- Do NOT plug in Coffee Urn without adding water.**
- When brewing cycle is complete, percolation stops and Warm Light illuminates to indicate coffee is ready to serve. The Coffee Urn automatically switches to Keep Warm and will maintain fresh, hot coffee until it is unplugged.

⚠ CAUTION Burn Hazard. The lid and other parts of the urn will be HOT. Use a pot holder or oven mitt to remove the lid.

NOTES:

- To make additional coffee, rinse the Coffee Urn and parts with cold water and repeat steps 1 through 7.
- To reheat coffee, remove Coffee Basket and Pump Tube. Lock Lid in place and plug in the unit for 20 to 60 minutes, depending on amount of coffee remaining. Do not reheat if less than 20 cups are left in Coffee Urn.
- Coffee will vary between brands and ground amount should be adjusted to meet your desired strength.
- We recommend using coffee that has been ground specifically for use in a **percolator-type** coffee maker. However, coffee marked "For All Coffee Makers" is acceptable. If using a coffee grinder and whole beans, percolator coffee should be a coarse grind. A finely ground coffee may cause the coffee basket to overflow and result in grounds in coffee.

How to Clean

⚠ WARNING Electrical Shock Hazard. Do not immerse cord, plug or urn in water or other liquid.

- Unplug. Allow to cool.
- Carefully remove Lid and all internal parts. Parts, coffee grounds, and remaining coffee may still be hot.
- Wash inside of the Coffee Urn and parts with warm, soapy water. Rinse and dry. Do not dry inside of Urn with a cloth, since lint may remain inside the Urn. Do NOT immerse the body of Coffee Urn in water.
- Wipe outside of Coffee Urn with a damp cloth and dry with a towel. Store with the Lid off.
- To clean Serving Spout, fill Coffee Urn with some hot water and dishwasher detergent. Drain hot water from Serving Spout into a cup. Repeat this step with clean, hot water to remove any dishwasher detergent remaining in Serving Spout.
- To clean Coffee Level Tube, unscrew Coffee Level Tube Cap and lift out. Wash in warm, soapy water with a long, narrow brush and rinse. Replace the Coffee Level Tube and secure with the Tube Cap.
- To clean Pump Tube, remove from Urn. Wash in warm, soapy water with a long, narrow brush and rinse.
- After repeated use, there may be some coffee stains and accumulation of oils that can cause a bitter taste. Periodically use a coffee-stain remover or special cleanser and follow package directions for cleaning. Rinse well after cleaning. A scouring pad may be used to clean the Heat Well. DO NOT use abrasive cleaners on any other part of Coffee Urn.

How to Remove Mineral Deposits and Buildup

If Urn is used daily, follow these instructions every other week.

- Fill the Urn with 1 quart (946 ml) cold water and 1 quart (946 ml) white vinegar (if a white mineral buildup has formed inside the unit, use an additional 2 cups [473 ml] of vinegar). Assemble with Lid, Pump Tube, and Coffee Basket.
- Clean Urn after every 15 to 20 cycles to remove mineral deposits and buildup, or more frequently in areas with hard water. Clean Heating Well with Heating Well Cleaning Tool or heavy-duty scouring pad. Fill Urn half-full with hot water. Add a drop of liquid dishwashing detergent and wash inside of Urn. Use Heat Well Cleaning Tool or scouring pad, clean inside of the Heat Well. This part must be properly cleaned to maintain the proper operation of Urn. Do not immerse in water.
- Fill Urn with equal parts cold water and vinegar.
- Assemble Urn with Pump Tube, Spring, Coffee Basket and Lid.
- Plug into outlet. Let unit go through the perk cycle. When perking has stopped, let sit another 15 minutes.
- Unplug and drain Urn. Let cool; then clean by following steps in "How to Clean".

⚠ CAUTION: HOT SURFACE. The temperature of accessible surfaces may be high when the appliance is operating.

How to Remove Discoloration

- To lighten discolored metal inside Urn, fill to the 40-, 75-, or 100-cup level (depending on model).
- Assemble with Pump Tube and Coffee Basket. Place 2 tablespoons (30 ml) plus 1 teaspoon (5 ml) cream of tartar into Basket.
- Place Lid onto Urn. Plug into outlet. Let go through the percolate cycle. When percolating has stopped, let solution sit for an additional 15 minutes.
- Unplug. Drain Urn and let cool.

How to Clean Heating Well

- Fill the Urn half-full with hot water.
- Add a drop of liquid dishwashing detergent and wash the inside of the Urn.
- Use a scouring pad or the Heating Well

Tool and clean the inside of the Heating Well. This part must be properly cleaned to maintain the proper operation of the Urn. Do not immerse Urn in water.

Troubleshooting

Coffee Urn does not brew or heat.

- Power plug is not firmly plugged into outlet. Plug into outlet.
- Power Switch is in OFF position. Make sure Power Switch is in ON position.

Mineral deposits have built up inside Urn.

- Clean Urn following steps in "How to Remove Mineral Deposits and Buildup" section.

Coffee not strong enough.

- Insufficient quantity of ground coffee. Increase quantity of ground coffee.

Condensation forms on inside coffee level tube.

- Steam created during brewing cycle. Condensation does not indicate a defective unit. The steam/condensation will eventually evaporate.

Heat Well has buildup.

- Clean Heat Well with a scouring pad.

Limited Warranty

This warranty applies to products purchased and used in the U.S. and Canada. This is the only express warranty for this product and is in lieu of any other warranty or condition. This product is warranted to be free from defects in material and workmanship for a period of one (1) year from the date of original purchase.

If you have a claim under this warranty please contact our **TECHNICAL SERVICES DEPARTMENT at 1-866-285-1087 or 910-693-4277**. For faster service, locate the model, type, and series numbers on your appliance.

This warranty does not cover glass, filters, wear from normal use, use not in conformity with the printed directions, or damage to the product resulting from accident, alteration, abuse, or misuse, or subjecting it to any voltage and waveform other than as specified on the rating label (for example, 120 V ~ 60 Hz). This warranty extends only to the original purchaser. Keep the original sales receipt, as proof of purchase is required to make a warranty claim or the warranty term will be based on the date of manufacture plus one (1) year.

We exclude all claims for special, incidental, and consequential damages caused by breach of express or implied warranty. All liability is limited to the amount of the purchase price. **Every implied warranty, including any statutory warranty or condition of merchantability or fitness for a particular purpose, is disclaimed except to the extent prohibited by law, in which case such warranty or condition is limited to the duration of this written warranty.** This warranty gives you specific legal rights. You may have other legal rights that vary depending on where you live. Some states or provinces do not allow limitations on implied warranties or special, incidental, or consequential damages, so the foregoing limitations may not apply to you.

PRÉCAUTIONS IMPORTANTES

Pour utiliser un appareil électroménager, vous devez toujours prendre des mesures élémentaires de sécurité pour réduire le risque d'incendie, d'électrocution et/ou de blessure corporelle, en particulier les mesures suivantes :

- Lire toutes les instructions.
- Cet appareil n'est pas destiné à être utilisé par des personnes (y compris les enfants) dont les capacités physiques, sensorielles ou mentales sont réduites, ou manquant d'expérience et de connaissance, sauf si elles sont étroitement surveillées et instruites sur l'utilisation de l'appareil par une personne responsable de leur sécurité.
- Une surveillance étroite est requise pour tout appareil utilisé par ou près des enfants. Surveiller que les enfants ne jouent pas avec l'appareil.
- Ne pas toucher les surfaces chaudes. Utiliser les poignées ou les boutons. Prendre toutes les précautions nécessaires pour éviter les risques de brûlures occasionnés par les surfaces chaudes, les déversements de liquides chauds.
- Pour éviter le risque d'incendie, d'électrocution et les blessures, ne pas immerger le cordon, la fiche, ou l'urne à café dans l'eau ou tout autre liquide.
- Débrancher l'appareil de la prise de courant lorsque urne n'est pas utilisée et avant le nettoyage. Laisser refroidir l'appareil avant de placer ou de retirer des pièces, et avant de le nettoyer.
- Toujours placer l'urne à café sur une surface plane et loin des bords de comptoir pour éviter le basculement accidentel lors de son fonctionnement.
- Ne pas faire fonctionner un appareil électroménager avec un cordon ou une fiche endommagée, ou lorsque l'appareil ne fonctionne pas bien ou a été échappé ou endommagé d'une manière quelconque. Le remplacement et la réparation du cordon d'alimentation doivent être faits par le fabricant, son agent de service ou toute personne qualifiée de façon à éviter tout danger. Appeler le numéro de service à la clientèle fourni pour des renseignements concernant l'examen, la réparation ou l'ajustement.
- L'utilisation d'accessoires non recommandés par le fabricant d'électroménagers peut causer un incendie, un choc électrique ou des blessures.
- Ne pas utiliser à l'extérieur.
- Ne pas laisser pendre le cordon de la table ou du comptoir et éviter tout contact avec les surfaces chaudes, incluant la cuisinière.
- S'assurer que le couvercle est bien en place lors du programme d'infusion et en servant le café.
- La vapeur peut causer des brûlures si le couvercle est enlevé durant le cycle d'infusion.
- Ne pas placer l'urne à café sur ou près d'un brûleur chaud à gaz ou électrique ou dans un four chaud.
- AVERTISSEMENT !** Pour réduire le risque d'incendie ou de choc électrique, ne pas enlever le dessus de la cafetière. Aucune pièce réparable à l'intérieur. Les réparations doivent être faites par un technicien agréé seulement.
- Ne pas utiliser cet appareil pour un autre usage que celui auquel il est destiné.
- Le contenant peut rester chaud une fois que l'appareil est éteint.
- Pour débrancher l'urne à café, débrancher le cordon de la prise murale. Pour le débrancher, tenir la fiche et la retirer de la prise. Ne jamais tirer sur le cordon.
- Ne pas ranger l'urne à café dans une armoire lors de l'utilisation.

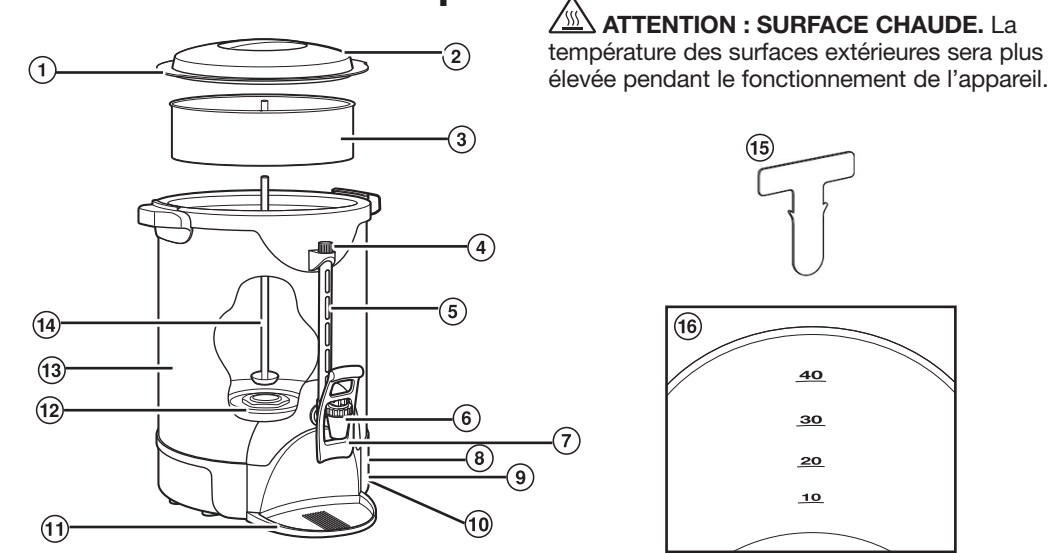
CONSERVER CES INSTRUCTIONS

Autres renseignements relatifs à la sécurité du consommateur

⚠ AVERTISSEMENT Risque de choc électrique : Cet appareil est fourni avec une fiche à prise de terre (3 broches) pour réduire le risque de choc électrique. La fiche ne tient que dans un sens dans une prise mise à la terre. Ne pas transformer le dispositif de sécurité de la fiche en modifiant celle-ci de quelconque façon ou en utilisant un adaptateur. Si vous ne pouvez pas insérer la fiche dans la prise, faire remplacer la prise par un électricien.

La longueur du cordon installé sur cet appareil a été sélectionnée afin de réduire les risques d'enchevêtrement ou de faux pas causés par un fil trop long. L'utilisation d'une rallonge approuvée est permise si le cordon est trop court. Les caractéristiques électriques de la rallonge doivent être équivalentes ou supérieures aux caractéristiques de l'appareil. La rallonge doit être du type à mise à la terre, à 3 fils. Prendre toutes les précautions nécessaires pour installer la rallonge de manière à ne pas la faire courir sur le comptoir ou sur une table et pour éviter qu'un enfant ne tire sur le cordon ou trébuché accidentellement. Pour éviter la surcharge du circuit électrique, ne pas utiliser un autre appareil à haute puissance sur le même circuit que cet appareil. Cet appareil est conçu pour un usage domestique ou similaire, notamment : les aires de repas du personnel dans les commerces, les bureaux et autres environnements de travail, les fermes, les clients des hôtels, des motels et autres types de gîtes et environnements résidentiels.

Pièces et caractéristiques



- | | | |
|----------------------------------|---|---|
| 1. Languettes de verrouillage | 7. Levier à commande par tasse | 13. Urne |
| 2. Couvercle | 8. Témoin de réchaud | 14. Tube de pompe |
| 3. Panier à café | 9. Témoin d'infusion | 15. Accessoire de nettoyage de la cuvette |
| 4. Capuchon du niveau indicateur | 10. Interrupteur (sur le côté de l'urne à café) | 16. Niveau gradué |
| 5. Niveau indicateur de café | 11. Plateau d'égouttage amovible | |
| 6. Bec verseur | 12. Puits de chauffage | |

Pour faire le café

Avant la première utilisation : Nettoyer l'urne à café en suivant les étapes indiquées dans la section « Nettoyage ».

- Pour enlever le couvercle, saisir le couvercle et tourner dans le sens inverse des aiguilles d'une montre jusqu'à ce que les languettes de verrouillage puissent franchir les poignées de chaque côté de l'urne, puis soulever. Ôter le panier et tube de pompe avec ressort. Pour les meilleurs résultats, toujours remplir d'eau froide, fraîche du robinet jusqu'au repère du niveau marqué à l'intérieur de l'urne indiquant le nombre de tasses* désiré. Selon votre modèle, l'urne peut infuser 40, 75 ou 100 tasses. **NE PAS TROP REMPLIR L'URNE À CAFÉ.**
*1 tasse = 5 oz. (150 ml)
- Mouiller le panier (ceci empêche les petites particules de café de passer à travers le panier). Utiliser une tasse et une cuillère à table à mesurer standard sèches pour ajouter au panier des moutures de café ordinaire ou pour l'urne. La quantité de café peut varier selon le goût ; en utiliser moins pour un café léger et plus pour un café plus fort.
- Placer le panier sur le tube de pompe. Ensuite, tenir le tube de pompe par le sommet et l'insérer dans l'urne jusqu'à ce que la partie inférieure du tube de pompe soit proprement engagée dans le puits de chauffage au centre (sinon, l'urne à café ne fonctionnera pas).
- Placer le couvercle sur l'urne de façon à ce que les languettes de verrouillage se trouvent à l'avant et à l'arrière de l'urne à café.
- Tourner le couvercle dans le sens des aiguilles jusqu'à ce que les languettes de verrouillage soient complètement engagées à l'intérieur des poignées des deux côtés de l'urne. Ne jamais brancher l'urne à café sans que le couvercle soit en place et que les languettes de verrouillage soient complètement engagées à l'intérieur des poignées.
- Brancher dans une prise de courant. Appuyer sur l'interrupteur pour démarrer l'infusion et le témoin d'infusion s'allumera. **Ne PAS brancher l'urne à café sans avoir ajouté d'eau.**
- Lorsque le programme d'infusion est terminé, la percolation cesse et témoin de réchaud tournera pour indiquer que le café est prêt à servir. L'urne à café passe automatiquement au programme de Garde au chaud et maintiendra le café frais et chaud jusqu'à ce que l'urne soit débranchée.

⚠ ATTENTION Risque de brûlure. Le couvercle et autres pièces de l'urne à café seront CHAUDS. Utiliser une manique ou mitaine pour le four pour enlever le couvercle.

REMARQUES :

- Pour faire plus de café, rincer l'urne à café et les pièces à l'eau froide et répéter les étapes 1 à 7.
- Pour réchauffer le café, enlever le panier et le tube de pompe. Verrouiller le couvercle en place et brancher l'urne pendant 20 à 60 minutes, selon la quantité de café qui s'y trouve. Ne pas réchauffer une quantité inférieure à 20 tasses de café.
- Le café diffère d'une marque à l'autre et la quantité de café moulu doit être ajustée afin d'obtenir le degré d'intensité souhaité.
- Nous recommandons d'utiliser du café qui a été moulu spécifiquement pour une cafetière de **type URNE**. Cependant, le café en paquets marqués « Pour toutes les cafetières » est acceptable. Si un moulin à café est utilisé pour le café en grains, le café devrait être de grosse mouture. Une mouture de café fine peut causer un débordement du panier et un dépôt de résidus dans le café.

Nettoyage

⚠ AVERTISSEMENT Risque d'électrocution. Ne pas immerger l'urne, le cordon ou la fiche dans l'eau ou tout autre liquide.

- Débrancher le cordon d'alimentation de la prise de courant murale et laisser l'appareil refroidir.
- Enlever soigneusement le couvercle et toutes les pièces internes. Les pièces, marc de café ainsi que tout café qui reste dans l'urne peut être encore chaud.
- Laver l'intérieur de l'urne et les pièces à l'eau chaude et savonneuse. Rincer et sécher. Ne pas sécher l'intérieur de l'urne avec un linge pour éviter le dépôt de peluches à l'intérieur de l'urne. Ne PAS immerger de l'urne dans l'eau.
- Essuyer l'extérieur de l'urne avec un chiffon humide et sécher avec une serviette. Ranger l'urne à café sans le couvercle.

- Pour nettoyer le bec verseur, remplir l’urne à café avec un peu d’eau chaude et du détergent pour lave-vaisselle. Faire couler l’eau chaude par le bec verseur dans une tasse. Répéter cette étape avec de l’eau propre et chaude pour éliminer tout le détergent pour lave-vaisselle du bec verseur.
- Pour nettoyer le niveau indicateur de café, dévisser le capuchon du niveau indicateur du support en soulever et sortir le niveau indicateur. Laver à l’eau chaude savonneuse avec une brosse longue et étroite puis rincer. Installer le niveau indicateur et sécuriser à l’aide du capuchon du niveau.

Comment éliminer les dépôts de minéraux et les résidus accumulés

Répéter ces instructions toutes les deux semaines si l’urne est utilisée quotidiennement.

- Remplir l’urne avec 946 ml (1 pinte) de vinaigre blanc et 946 ml (1 pinte) de eau (s’il y a accumulation de dépôts de minéraux à l’intérieur de l’appareil, utiliser 473 ml [2 tasses] supplémentaires de vinaigre). Assembler avec le couvercle, le tube de la pompe et le plateau à café.
- Nettoyer l’urne après chaque 15 à 20 cycles pour retirer les dépôts et les accumulations et dépôts de minéraux, ou plus fréquemment dans les régions où l’eau est dure. Bien nettoyer la partie chauffante à l’aide de l’accessoire de nettoyage de la partie chauffante ou d’un tampon à récurer robuste. Remplir l’urne à moitié avec de l’eau chaude. Ajouter une goutte de détergent à vaisselle liquide et laver l’intérieur du l’urne. Utiliser l’accessoire de nettoyage de la partie chauffante ou le tampon

Comment éliminer la décoloration

- Pour atténuer la décoloration du métal à l’intérieur de l’urne, remplir l’urne selon le niveau de 40, 75 ou 100 tasses (selon le modèle).
- Assembler le tube de pompe et le panier à café. Déposer deux cuillères à soupe (30 ml) plus 1 cuillère à café (5 ml) de crème de tartre dans le panier.

Nettoyer l’intérieur de la cuvette

- Remplir l’urne jusqu’à la moitié avec de l’eau chaude.
- Ajouter une goutte de savon à vaisselle et laver l’intérieur du l’urne.
- Utiliser une éponge ou l’accessoire de

nettoyage de la cuvette (non fourni) et nettoyer l’intérieur de la cuvette. Cette partie doit être entièrement propre pour maintenir le bon fonctionnement du l’urne. Ne pas immerger l’urne dans l’eau.

Dépannage

L’urne à café n’infuse pas ou ne chauffe pas.

- La fiche n’est pas insérée correctement dans la prise. Brancher dans une prise de courant.
- L’interrupteur est en position OFF (arrêt). Veuillez vous assurer que l’interrupteur est en position ON (marche).

Accumulation de dépôts de minéraux à l’intérieur de l’urne.

- Nettoyer l’urne en suivant les étapes du chapitre « Comment éliminer les dépôts de minéraux et les résidus accumulés ».

L’intensité du café est faible.

- Quantité de grains de café insuffisante. Augmenter la quantité de grains de café.

Condensation sur les parois intérieures du niveau indicateur de café.

- Vapeur créée pendant le cycle d’infusion. La condensation n’indique pas que l’appareil est défectueux. La vapeur ou condensation s’évaporera graduellement.

Présence de résidus accumulés dans le puits de chauffage.

- Bien nettoyer le puits de chauffage à l’aide d’un tampon à récurer.

Garantie limitée

Cette garantie s’applique aux produits achetés et utilisées aux É.-U. et au Canada. C’est la seule garantie expresse pour ce produit et est en lieu et place de tout autre garantie ou condition.

Ce produit est garanti contre tout défaut de matériaux et de main-d’œuvre pour une période de un (1) an à compter de la date d’achat d’origine.

Appeler **LE DEPARTMENT DES SERVICES TECHNIQUES aux numéros 866-285-1087 ou 910-693-4277** pour toute réclamation au titre de la garantie. Repérer les numéros de modèle, de série et de type de l’appareil pour obtenir un service plus rapide.

Cette garantie ne couvre pas le verre, les filtres, l’usure normale, l’utilisation non conforme aux directives imprimées, ou aux dommages du produit résultant d’un accident, d’une modification et d’une utilisation abusive ou incorrecte, ou si l’appareil est soumis à toute tension ou forme d’onde différente des caractéristiques nominales précisées sur l’étiquette (par ex. : 120 V ~ 60 Hz). Cette garantie s’applique seulement au premier acheteur. La présentation du reçu de vente d’origine comme preuve d’achat est nécessaire pour faire une réclamation au titre de cette garantie ou la garantie de un (1) an suivant la date de fabrication.

Nous excluons toutes les réclamations au titre de cette garantie pour les dommages spéciaux, consécutifs et indirects causés par la violation de la garantie expresse ou implicite. Toute responsabilité est limitée au prix d’achat. **Chaque garantie implicite, y compris toute garantie ou condition de qualité marchande ou d’adéquation à un usage particulier, est exonérée, sauf dans la mesure interdite par la loi, auquel cas la garantie ou condition est limitée à la durée de cette garantie écrite.** Cette garantie vous confère des droits juridiques spécifiques. Vous pouvez avoir d’autres droits qui varient selon l’endroit où vous habitez. Certaines provinces ne permettent pas les limitations sur les garanties implicites ou les dommages spéciaux, consécutifs ou indirects de telle sorte que les limitations ci-dessus ne s’appliquent peut-être pas à votre cas.

SALVAGUARDIAS IMPORTANTES

Cuando utilice artefactos eléctricos, siempre deben seguirse precauciones de seguridad básicas a fin de reducir el riesgo de incendio, descarga eléctrica, y/o lesiones a personas, incluyendo las siguientes:

- Lea todas las instrucciones.
- Este aparato no se destina para utilizarse por personas (incluyendo niños) cuyas capacidades físicas, sensoriales o mentales sean diferentes o estén reducidas, o carezcan de experiencia o conocimiento, a menos que dichas personas reciban una supervisión o capacitación para el funcionamiento del aparato por una persona responsable de su seguridad.
- Se requiere de una estrecha supervisión cuando el aparato se use por o cerca de niños. Los niños deben supervisarse para asegurar que ellos no empleen los aparatos como juguete.
- Verifique que el voltaje de su instalación corresponda con el del producto.
- No toque superficies calientes. Use manijas o perillas. Se debe de tener cuidado, ya que pueden ocurrir quemaduras al tocar partes calientes o liquido caliente derramado.
- Para protegerse contra incendio, choque eléctrico y heridas personales, no sumerja el cable, enchufe ni ninguna parte de la cafetera en agua ni en ningún otro líquido.
- Desenchúfelo la cafetera del tomacorriente cuando no lo esté usando y antes de la limpieza. Deje que se enfríe antes de colocar o sacar alguna pieza.
- La cafetera debe funcionar sobre una superficie plana lejos de borde de una cubierta para prevenir que se ladee.
- No opere ningún aparato con cables o enchufe dañados o después de que el aparato funcione mal o se caiga o dañe de cualquier manera. El reemplazo del cable de suministro y las reparaciones deben ser efectuadas por el fabricante,

su agente de servicio, o personas igualmente calificadas para poder evitar un peligro. Llame al número de servicio al cliente proporcionado para información sobre examinación, reparación o ajuste.

- El uso de aditamentos de accesorio no recomendados por el fabricante del aparato puede causar incendio, descarga eléctrica o lesiones a personas.
- No use en aire libre.
- No deje que el cable cuelgue del borde de la mesa, mostrador, ni que toque superficies calientes, incluyendo la estufa.
- Asegúrese de que la cubierta se encuentre bien colocada durante el ciclo de preparación y al servir el café.
- Pueden ocurrir quemaduras si se saca la tapa durante el ciclo de preparación.
- No coloque la cafetera sobre o cerca de un quemador de gas o eléctrico caliente o en un horno caliente.
- ¡ADVERTENCIA!** Para reducir el riesgo de fuego o descarga eléctrica, no remueva la cubierta inferior. No hay partes servibles en el interior. La reparación debe hacerse por personal de servicio autorizado únicamente.
- No use el aparato para otro uso más que para el que fue diseñado.
- El recipiente puede permanecer caliente después de que la unidad se apaga.
- Para desconectar la cafetera, remueva el enchufe de la toma. Para desenchufarlo, tome el enchufe y retírelo del tomacorriente. Nunca tire del cable eléctrico.
- No coloque la cafetera en un gabinete cuando esté en uso.

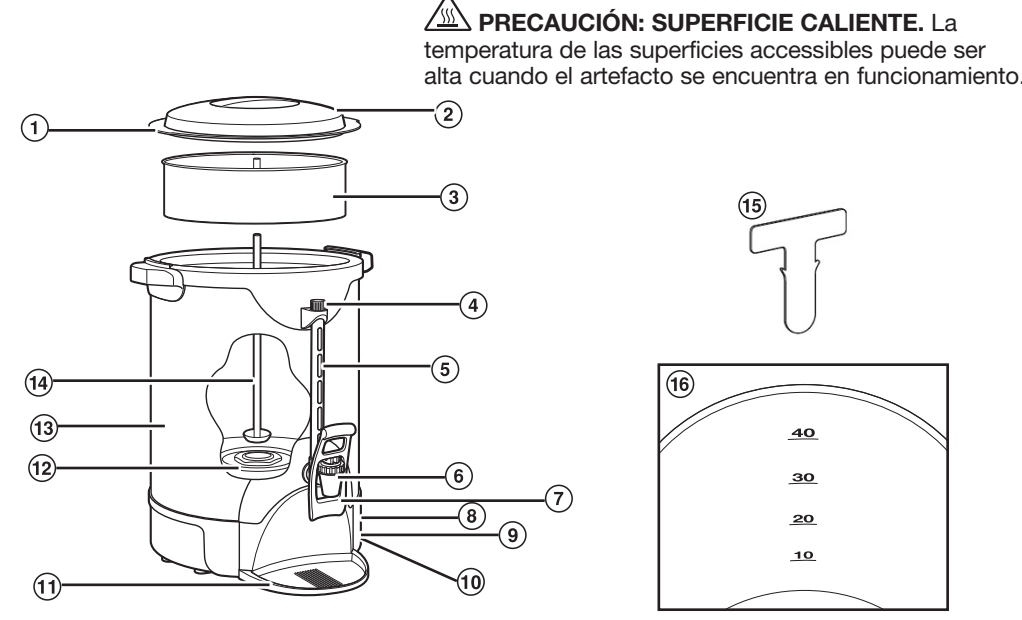
GUARDE ESTAS INSTRUCCIONES

Otra información de seguridad para el cliente

▲ ADVERTENCIA **Riesgo de descarga eléctrica:** Este aparato es provisto con un enchufe con conexión a tierra (3 clavijas) para reducir el riesgo de una descarga eléctrica. El enchufe calza únicamente en una dirección dentro de un tomacorriente con conexión a tierra. No elimine el propósito de seguridad del enchufe modificando el enchufe de ninguna manera o usando un adaptador. Si el enchufe no entra en la toma, haga que un electricista reemplace la toma. La longitud del cable usado para este aparato fue seleccionado para reducir los riesgos de enredarse o tropezarse con un cable más largo. Si se necesita un cable más largo se puede usar una extensión aprobada. La clasificación eléctrica de la

cable extensión debe ser igual o mayor que la clasificación del aparato. El cable de extensión debe ser del tipo de conexión a tierra con 3 cables. Es importante tener cuidado de colofue el cable de extensión para que no se pliegue sobre el mostrador o la mesera en donde niños puedan tirar del mismo o tropezarse accidentalmente. Para evitar una sobrecarga eléctrica del circuito, no use otro aparato de alto voltaje en el mismo circuito con este aparato. Este aparato está diseñado para utilizarse en aplicaciones domésticas y similares, tales como: áreas de cocina para el personal en tiendas, oficinas y otros entornos de trabajo; casas rurales; por clientes en hoteles, moteles y otros entornos de tipo residencial; entornos tipo cama y desayuno.

Piezas y características



- Pestañas de cierre
- Tapa
- Cesta de café
- Tapa de rubo de nivel de café
- Tubo de nivel de café
- Pico para servir
- Manija dosificadora de tazas
- Luz de calentamiento
- Luz de preparación
- Interruptor de encendido (en el lado de la cafetera)
- Bandeja de goteo desmontable
- Recipiente de calentamiento
- Cafetera
- Tubo de la bomba
- Herramienta de limpieza del foso de calor
- Indicador de nivel de agua

Cómo preparar café

Antes del primer uso: Limpie la cafetera siguiendo los pasos de la sección “Cómo Limpiar.”

- Para quitar la tapa, gírela a la izquierda hasta que las pestañas de cierre liberen por completo las asas que se encuentran a cada lado la cafetera, tire hacia arriba. Retire la cesta de café y la tubo de la bomba con resorte. Para obtener mejores resultados, use siempre agua fría del grifo hasta el indicador de nivel ubicado dentro del aparato para la cantidad de tazas* deseadas. Según el modelo que posea, la cafetera preparará hasta 40, 75 o 100 tazas. **NO SOBRECARGUE LA CAFETERA.** *1 taza = 5 oz. (150 ml)
- Humedezca la cesta (esto ayuda a evitar que se cuelen partículas de granos de café). Utilice una taza de medición estándar y una cuchara para agregar café molido común o para cafetera de filtro a la cesta. La cantidad de café puede variarse para ajustarse a su gusto; utilice menos para un café suave o más para un café de mayor intensidad.
- Coloque la cesta en el tubo de la bomba. Luego, sosteniendo la parte superior del tubo de la bomba, bájela dentro de la cafetera hasta que parte inferior del tubo de la bomba se halle bien colocado en el recipiente de calentamiento en el centro (si no, la cafetera no filtrará bien).
- Coloque la tapa sobre de la cafetera

NOTAS:

- Para preparar más café, enjuague la cafetera y las piezas con agua fría y repita los pasos de 1 a 7.
- Para recalentar el café, extraiga la cesta y la tubo de la bomba. Bloquee la tapa y enchufe la unidad durante 20 a 60 minutos, según la cantidad de café restante. No recaliente el café si quedan menos de 20 tazas en la cafetera.
- El café varía de una marca a otra y la cantidad de café molido debe ajustarse para obtener la concentración deseada.
- Le recomendamos que utilice café especialmente molido para su uso en **una cafetera de filtrado**. Sin embargo, se acepta café etiquetado como “Para Todo Tipo de Cafeteras”. Si usa una trituradora de café y granos enteros, el café, el filtrado de café debe ser para molido grueso. El café molido extra fino puede hacer que la cesta se desborde y produzca sedimentos en el café.

Cómo limpiar

▲ ADVERTENCIA **Riesgo de descarga eléctrica.** No sumerja el cable, el cafetera o enchufe en agua u otro líquido..

- Luego de cada uso y antes de lavar la unidad, desenchúfela del tomacorriente y espere a que se enfríe.
- Extraiga la tapa con cuidado y todas las piezas internas. Las piezas, granos de café y cualquier resto de café pueden estar aún calientes.
- Lave el interior de la cafetera y todas las piezas con agua tibia y jabonosa. Enjuague y seque. No seque la parte interna de la cafetera con un paño porque pueden quedar pelusas dentro de la misma. NO sumerja el armazón de la cafetera en agua.
- Humedezca el exterior de la cafetera con un paño mojado y séquelo con una toalla. Guarde la cafetera sin la tapa puesta.
- Para limpiar el pico para servir, llene la cafetera con agua caliente y detergente para lavavajillas. Vierta el agua caliente por el pico para servir en una taza. Repita este paso con agua caliente limpia para quitar los restos de detergente para lava-

vajillas del pico para servir.

- Para limpiar el tubo de nivel de café, desenrosque la tapa de tubo de nivel de café y quite el tubo de nivel de café. Lávelo en agua tibia jabonosa con un cepillo largo y angosto y enjuague. Vuelva a colocar el tubo de nivel de café y fjíjelo con la tapa del tubo.
- Para limpiar el tubo de la bomba, quítelo de la cafetera. Lávelo en agua tibia jabonosa con un cepillo largo y angosto y enjuague.
- Tras el uso reiterado, es posible que haya manchas de café y acumulación de aceites que provoquen un sabor amargo. Utilice periódicamente un removedor de manchas de café o un limpiador especial y siga las instrucciones de limpieza del paquete. Enjuague bien después de limpiar. Puede utilizarse una esponjilla para limpiar el recipiente de calentamiento. **NO** utilice limpiadores abrasivos en cualquier otra parte de la cafetera.

Cómo quitar depósitos minerales y acumulaciones

Si la cafetera se utiliza todos los días, siga estas instrucciones cada quince días.

- Llene la cafetera con 1 cuarto de galón (946 ml) de vinagre blanco y 1 cuarto de galón (946 ml) de agua (si se ha formado una costra de mineral blanco dentro de la unidad, use 2 tazas (473 ml) adicionales de vinagre). Ensamble con la tapa, el tubo de la bomba y la canasta de café.
- Limpie la cafetera después de cada 15 a 20 ciclos para eliminar los depósitos minerales y la costra, o más frecuentemente en áreas con agua dura. Limpie bien el foso de calentamiento con la herramienta de limpieza opcional del foso de calentamiento o con un estropajo abrasivo de servicio pesado. Llene la cafetera hasta la mitad con agua caliente. Agregue una gota de detergente líquido para lavavajillas y lave el interior de la cafetera. Use la herramienta de
- Llene la cafetera con partes iguales de agua fría y vinagre.
- Ensamble la cafetera con el tubo de la bomba, el resorte, la cesta de café y la tapa.
- Enchufe el tomacorriente. Deje que la unidad haga el ciclo de preparación. Cuando la preparación se haya detenido, deje reposar otros 15 minutos.
- Desenchufe y drene la cafetera. Déjela enfriar; luego limpie siguiendo los pasos anteriores en “Cómo limpiar”.

Cómo quitar la decoloración

- Para aclarar el metal decolorado dentro de la cafetera, llene la misma hasta el nivel de tazas de 40, 75 o 100 (dependiendo del modelo).
- Coloque el tubo de la bomba y la cesta de café. Coloque 2 cucharadas (30 ml) más 1 cucharadita (5 ml) de cremor tártaro dentro de la cesta.
- Coloque la tapa sobre la cafetera. Enchufe y deje funcionar el ciclo de preparación.

Limpiar el interior del foso de calor

- Llene la cafetera a la mitad con agua caliente.
- Agregue una gota de detergente lavaplatos líquido y lave el interior de la cafetera.
- Use una esponja o herramienta de limpieza del foso de calor (no incluido) y limpie el interior del foso de la unidad de calentamiento. Esta parte debe ser limpiada adecuadamente para mantener el funcionamiento adecuado de la cafetera. No sumerja la cafetera en agua.

Resolviendo problemas

La cafetera no prepara café ni se calienta.

- El enchufe no está colocado firmemente en el tomacorriente. Enchufe en el tomacorriente.
- El interruptor de encendido está en la posición OFF (apagado). Asegúrese de que el interruptor de encendido esté en la posición ON (encendido).

Se ha acumulado depósitos minerales dentro de la cafetera.

- Limpie la cafetera siguiendo los pasos de “Cómo quitar depósitos minerales y acumulaciones.”

El café no es lo suficientemente intenso.

- Cantidad insuficiente de café molido. Augmente la cantidad del café molido.

Se forma condensación dentro del tubo de nivel de café.

- Se formó vapor durante el ciclo de preparación. La condensación no indica que la unidad sea defectuosa. El vapor/condensación finalmente se evaporará.

El recipiente de calentamiento tiene acumulaciones.

- Limpie el recipiente de calentamiento con una esponjilla.

GARANTÍA PARA PRODUCTOS COMPRADOS EN MÉXICO

Esta es la única garantía expresa para este producto y está en lugar de cualquier otra garantía o condición. A menos que a continuación se establezca lo contrario, este producto está garantizado de estar libre de defectos en materiales y mano de obra por un periodo de un (1) año a partir de la fecha de compra original. Durante este periodo, su único recurso es la reparación o reemplazo de este producto o cualquier componente que se encuentre defectuoso, a nuestra elección. Esta garantía incluye los gastos de transportación del producto que deriven de su cumplimiento dentro de su red de servicio, únicamente en caso de que no haya un Centro de Servicio Autorizado en su localidad. Si el producto o componente ya no está disponible, lo reemplazaremos con otro similar de igual o mayor valor.

Esta garantía no cubre piezas de vidrio o las piezas sujetas a desgaste por el uso normal (por ejemplo, cepillos, cuchillas, y agitadores), daños cuando el producto se hubiese utilizado en condiciones distintas a las normales, o cuando el producto no hubiese sido operado de acuerdo con el instructivo.

de uso que se le acompaña, o cuando el producto hubiese sido alterado o reparado por personas no autorizadas por el fabricante nacional, importador o comercializador responsable respectivo. Para hacer efectiva la garantía, presente el producto, acompañado de la póliza correspondiente, debidamente sellada por el establecimiento que lo vendió, o la factura, o recibo o comprobante, en el que consten los datos específicos del producto.

Esta garantía no será efectiva en los siguientes casos:

- Cuando el producto se hubiese utilizado en condiciones distintas a las normales.
- Cuando el producto no hubiese sido operado de acuerdo con el instructivo de uso.
- Cuando el producto hubiese sido alterado o reparado por personas no autorizadas por Grupo HB PS, S.A. de C.V. el fabricante nacional, importador o comercializador responsable respectivo.

<p>Importado por : Grupo HB PS, S.A. de C.V. Monte Ebruz, 124-401 Col. Polanco V Sección Miguel Hidalgo Ciudad de México, C.P. 11560 800 71 16 100</p>	<p>Modelo: _____ FECHA DE ENTREGA: DÍA _____ MES _____ AÑO _____</p>
--	--

Establecimientos en la República Mexicana en donde usted podrá hacer efectiva la garantía, obtener partes, componentes, consumibles y accesorios:

CENTROS DE SERVICIO AUTORIZADOS

CIUDAD DE MÉXICO ELECTRODOMÉSTICOS
Av. Plutarco Elias Calles, No. 1499
Zacahuitzco, Ciudad de México, C.P. 09490
Tel: 55 5235 2323

JALISCO MAGNETOS Y REFACCIONES, S.A. DE C.V. (Matriz)
Av. La Paz No. 72, Mexicaltzingo, Guadalajara, Jal. 44180
Tel: 33 3613 4116

Para información adicional sobre Servicio Post-venta, por favor llame sin costo al 800 71 16 100 o escribanos a: mexico.service@hamiltonbeach.com

Modelos: HCU040S, HCU075S, HCU100S	Tipo: GC53	Características Eléctricas: 120 V ~ 60 Hz 1440 W
Los modelos incluidos en el instructivo de Uso y Cuidado pueden ir seguidos o no por un sufijo correspondiente a una o varias letras del alfabeto y sus combinaciones, separadas o no por un espacio, coma, diagonal, o guión. Como ejemplos los sufijos pueden ser: "Y" y/o "MX" y/o "MXY" y/o "Z".		