



# PORTABLE LAMP WARMER

Model LW-2

The Hatco Portable Lamp Warmer will hold your food products at serving temperatures. The specially designed powder coated stand keeps food holding pans above the countertop, providing an effective insulation to prolong serving times.

## FLEXIBILITY

This lamp warmer holds full size and half size pans of appetizers, chicken wings or other hot foods. Ideal for restaurants, cafeterias, concession stands, convenience stores and delis, this warmer has an adjustable stand that varies the height 14<sup>1</sup>/<sub>4</sub>" to 18" (36-46 cm) from the bottom of the lamp shroud to the countertop.

Blend the Lamp Warmer with the décor by choosing one of six powder coated *Designer* colors: warm red, black, gray granite, white granite, navy blue and hunter green.

## QUALITY

The following features assure the finest performance for years to come.

- The LW-2 has a 6' (183 cm) cord and plug with in-line on/off switch located outside of the heat zone.
- Vented lamp shades with heavy-duty sockets.
- The Hatco Lamp Warmer comes with two 250-watt white uncoated heat bulbs. Coated bulbs are optional.



Model LW-2  
with accessory  
food pans

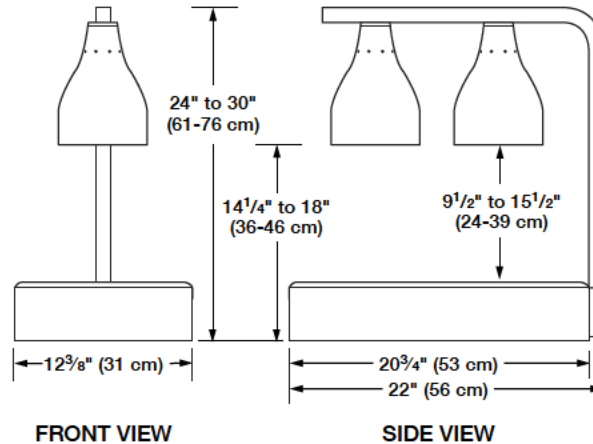


HATCO CORPORATION P.O. Box 340500 Milwaukee, WI 53234-0500 U.S.A.  
(800) 558-0607 • (414) 671-6350 • Fax (800) 543-7521 • Int'l. Fax (414) 671-3976  
Web Site: [www.hatcocorp.com](http://www.hatcocorp.com) • E-mail: [equipsales@hatcocorp.com](mailto:equipsales@hatcocorp.com)



# PORTABLE LAMP WARMER

Model LW-2



FRONT VIEW

SIDE VIEW

## SPECIFICATIONS

Model <sup>▲</sup>	Watts	Amps	Shipping Weight
LW-2	500	4.2	16 lbs. (7 kg)

▲ When no color is specified, color will be gray granite.

## DIMENSIONS

12<sup>3</sup>/<sub>8</sub>" L x 22" W x 24"-30" H (31 x 56 x 61-76 cm).

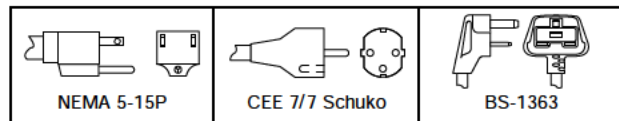
## VOLTAGE

120 volts, single phase (uses NEMA 5-15P).  
Export voltages available.

## CORD LOCATION

Back of adjustable stand near top.

## PLUG CONFIGURATION



## OPTIONS (NOT FOR RETROFIT)

- Designer Colors: Warm Red, Black, Gray Granite, White Granite, Navy Blue, Hunter Green

## ACCESSORIES

- 250-Watt White Bulb, Coated
- 5 Pleat Hardcoated French Fry Box Tray
- 8 Pleat Hardcoated French Fry Bag Tray

## ARCHITECT SPECS

### Lamp Warmer

The Lamp Warmer shall be a Model ....as manufactured by the Hatco Corporation, Milwaukee, WI 53234 U.S.A.

The Lamp Warmer shall be rated at ....watts, ....volts and be ....inches (centimeters) in overall length. It shall consist of a powder coated stand, two vented lamp shades with two uncoated 250-watt heat bulbs, an adjustable stand that varies

the height 14<sup>1</sup>/<sub>4</sub>" to 18" (36-46 cm) from the bottom of the lamp shroud to the countertop and a 6' (183 cm) cord and plug with an in-line on/off switch.

Accessories shall include 250-watt coated white bulbs, five pleat hardcoated French Fry box tray and an eight pleat hardcoated French Fry bag tray.