



Project \_\_\_\_\_

Item # \_\_\_\_\_

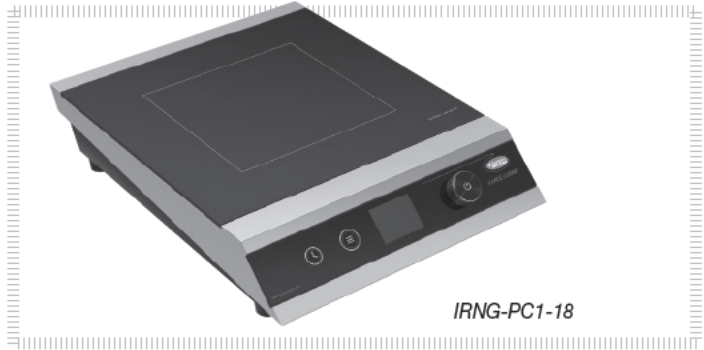
Quantity \_\_\_\_\_

# Rapide Cuisine™ Induction Range

Models: IRNG-PC1-14, IRNG-PC1-18

Hatco's Rapide Cuisine™ Induction Range is designed and built for the rigors of commercial foodservice use. Its Magnetic Power System (MPS) delivers the highest power in its class!

It has brains and beauty with a sleek, modern, low-profile design, high resolution color display, timer, plus convenient power and temperature modes. All this and energy efficient too!



IRNG-PC1-18

## Standard features:

- Designed and built for durability and performance in commercial foodservice use
- A professional induction range that handles the rigors of back-of-the-house cooking and prep areas but is still easily portable and adaptable for buffets and many other "front-of-the-house" applications



- Elegant, low-profile design with a choice of two color combinations to match your décor
- High resolution TFT display instantly advises the operator of precise power and time monitoring



- Easy to use, color-coded selectable modes
- Safety features and convenience features such as automatic shut off to prevent overheating and compatible pan detection
- Black ceramic glass composite top is durable and easy to clean
- 71" (1800 mm) cord with plug

## Options (available at time of purchase only)

Top Housing Color for Countertop Range  
 Stainless Steel (standard)  Gloss Finish Bold Black\*

*\*Special process required and extended lead times*



HATCO CORPORATION | P.O. Box 340500 Milwaukee, WI 53234-0500 U.S.A.

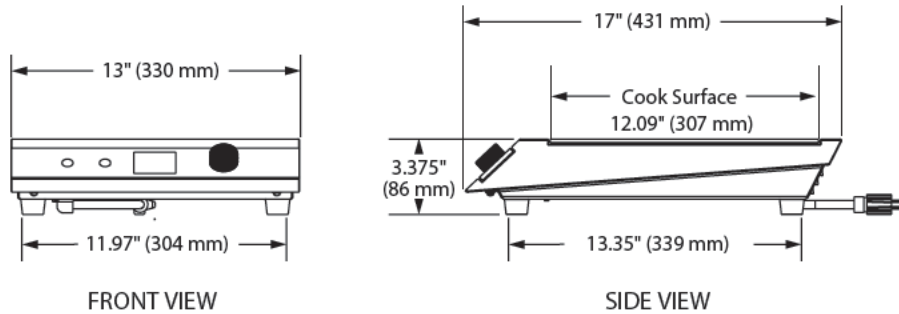
(800) 558-0607 | (414) 671-6350 | www.hatcocorp.com | equipsales@hatcocorp.com | intl@hatcocorp.com



# Rapide Cuisine™ Induction Range

Models: IRNG-PC1-14, -18

## IRNG Model

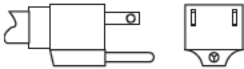


## SPECIFICATIONS Countertop Induction Ranges

Model	Dimensions (Width x Depth x Height)	Volts	Phase	Watts	Amps	Plug	Cord Location	Ship Weight*
IRNG-PC1-14	13" x 17" x 3.375" (330 x 431 x 86 mm)	120	Single	1440	12.0	NEMA 5-15P	Rear left bottom base corner	17 lbs. (8 kg)
IRNG-PC1-18	13" x 17" x 3.375" (330 x 431 x 86 mm)	120	Single	1800	15.0	NEMA 5-15P	Rear left bottom base corner	17 lbs. (8 kg)

\* Shipping weight includes packaging and is approximate.

## PLUG CONFIGURATIONS NEMA 5-15P



## PRODUCT SPECS Rapide Cuisine™ Induction Range

The Countertop models shall be a Rapide Cuisine™ model, manufactured by the Hatco Corporation, Milwaukee, WI 53234 U.S.A.  
 The Induction Range shall be rated at ... watts, ... volts, single phase and be ... inches (millimeters) in overall width. The Countertop Induction Range shall consist of a stainless steel housing with an aluminum base with a single generator coil and a

glass ceramic top surface. It includes a glass touch panel, an infinite control and a 71" (1800 mm) cord and plug.

Warranty consists of 24/7 parts and service assistance (US and Canada only).

HATCO CORPORATION | P.O. Box 340500 Milwaukee, WI 53234-0500 U.S.A.

(800) 558-0607 | (414) 671-6350 | www.hatcocorp.com | equipsales@hatcocorp.com | intl@hatcocorp.com