

88 5086 95C

Stainless Steel Top Kitchen Cart with Wood Breakfast Bar

IMPORTANT NOTE

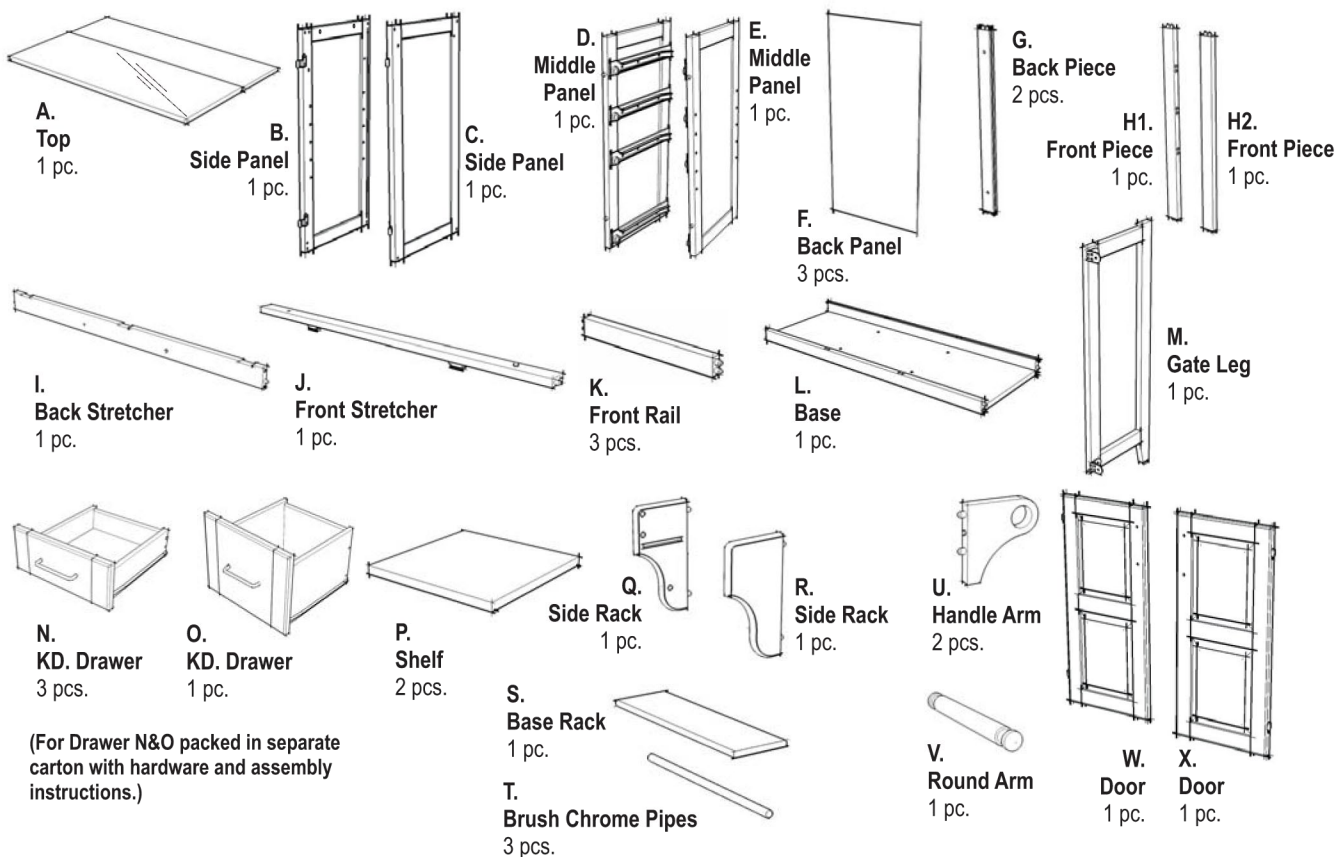
Carefully remove all the parts from the carton and put them individually on a soft cloth to prevent scratches or other damages occurring to the parts.

We have taken great care in the design of this product and request that you carefully and strictly follow our assembly instructions to ensure a completed product as it was designed.

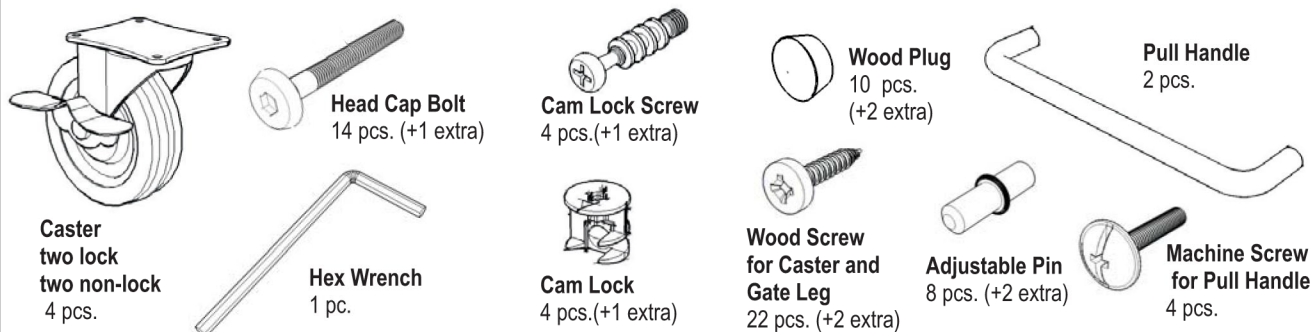
Home Styles



PART LIST



HARDWARE LIST



Tools Required For Assembly : Phillips screwdriver

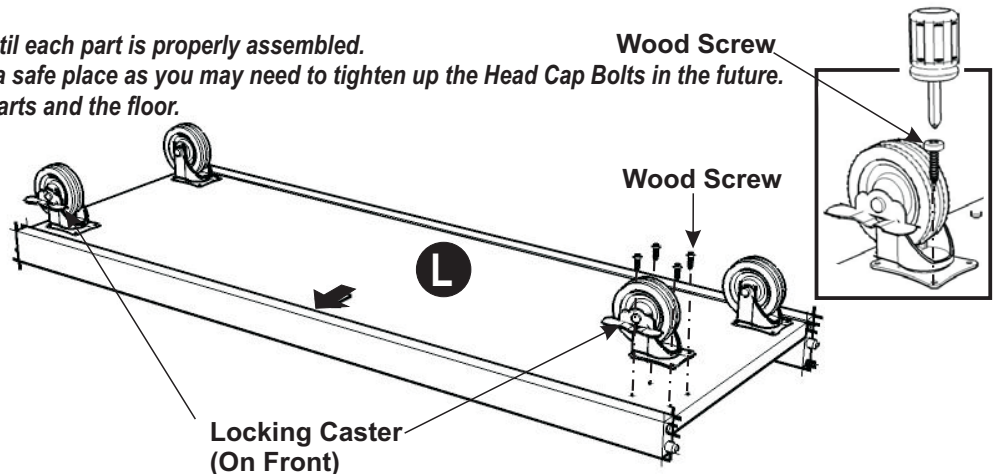
Assembly Instructions 2/4

IMPORTANT

- * Do not tighten up all the bolts until each part is properly assembled.
- * You should keep Hex Wrench in a safe place as you may need to tighten up the Head Cap Bolts in the future.
- * Use a soft cloth between these parts and the floor.

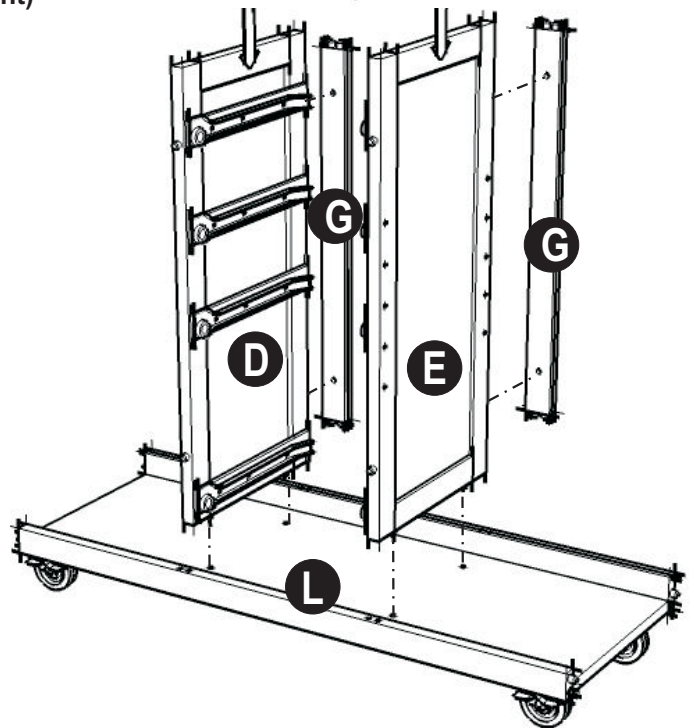
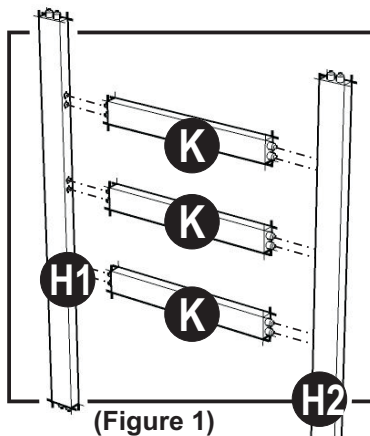
STEP 1

Attach four Casters underneath Base (L) with Wood Screws. (See 'Arrow' sticker indicating front side)



STEP 2

Attach the Back Piece (G), Middle Panel (D) and Back Piece (G), Middle Panel (E) onto the Base (L).

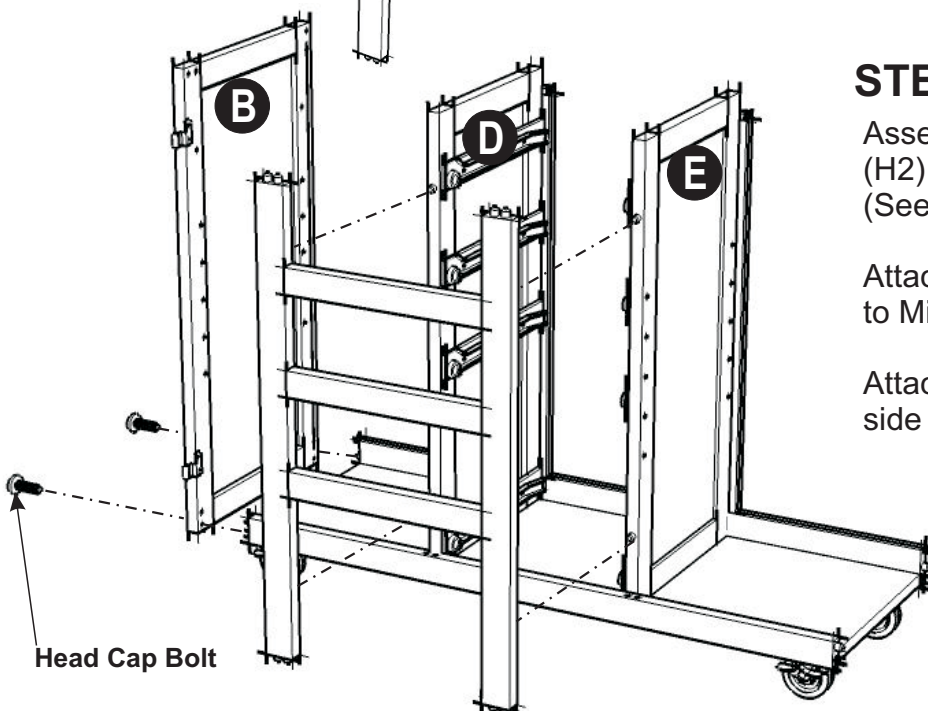


STEP 3

Assemble Front Piece (H1), (H2) and Front Rail (K). (See figure 1)

Attach the assembled unit to Middle Panel (D) and (E).

Attach Side Panel (B) to the side of unit with Head Cap Bolts.

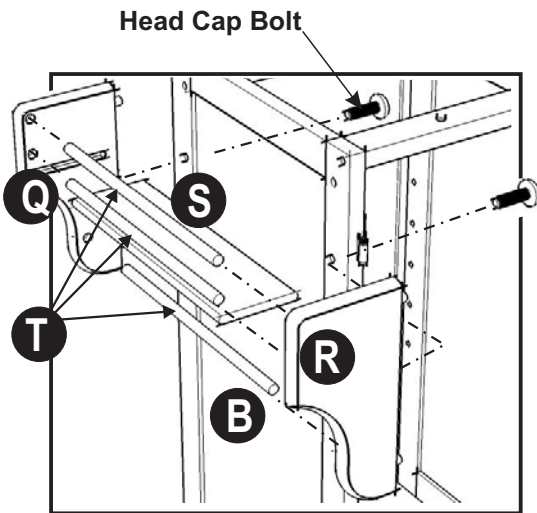
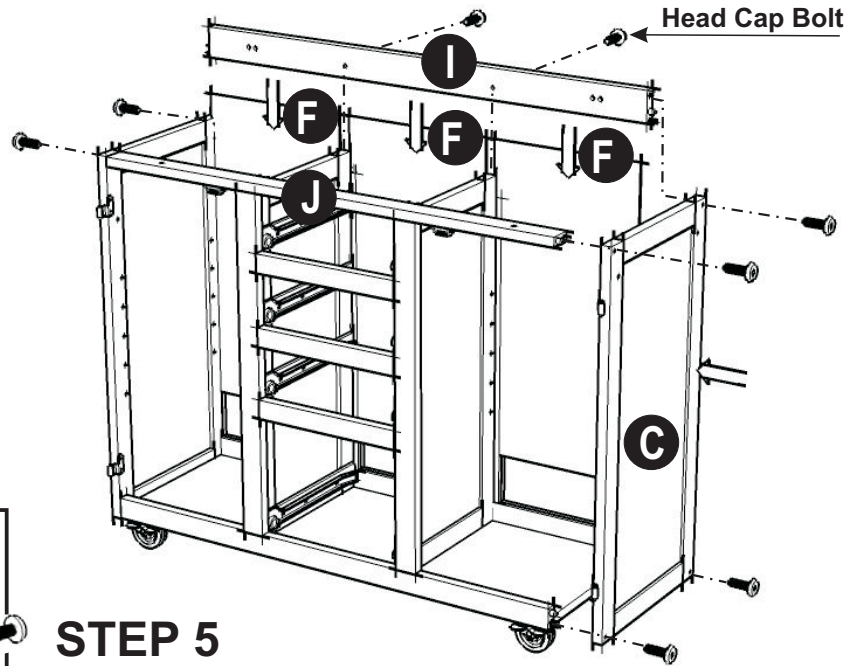


STEP 4

Slide Back Panel (F) into place.

Attach Back and Front Stretcher (I), (J) to the unit with Head Cap Bolts.

Attach Side Panel (C) to the other side of unit with Head Cap Bolts.



STEP 5

Attach Side Rack (Q) to Side Panel (B) with Head Cap Bolts.

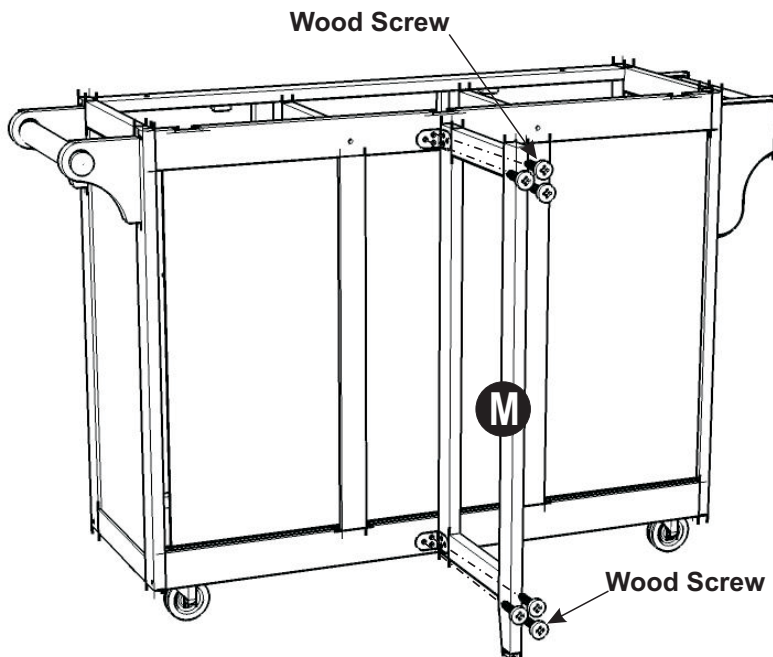
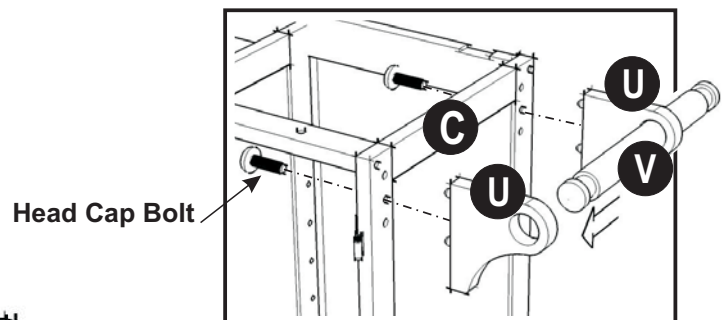
Attach Brush Chrome Pipes (T) and Base Rack (S) to the Side Rack (Q).

Attach Side Rack (R) to the Side Panel (B), using Head Cap Bolts.

STEP 6

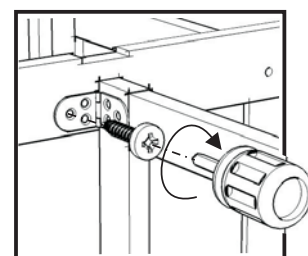
Attach Handle Arm (U) to Side Panel (C) with Head Cap Bolts.

Slide the Round Arm (V) into place.



STEP 7

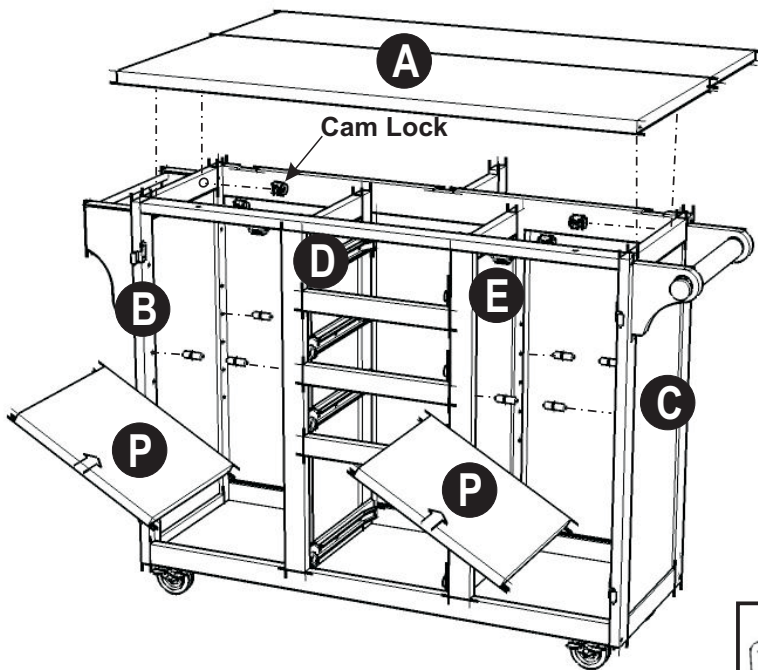
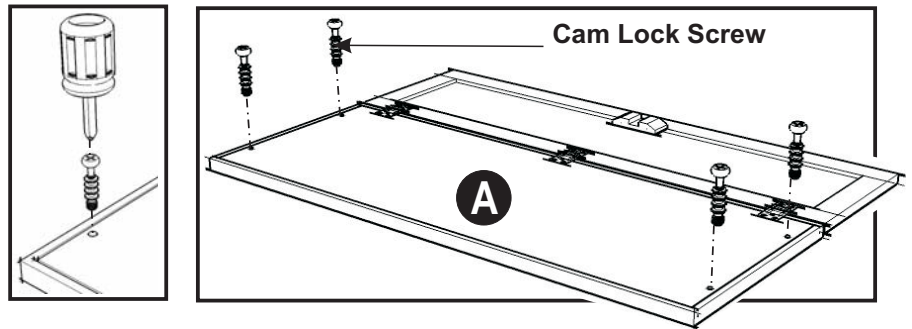
Attach Gate Leg (M) at the rear and connect it to the unit with Wood Screws. (See figure 2)



(Figure 2)

STEP 8

Turn over Top (A) and put Cam Lock Screws into the pre-drilled holes. Tighten up Cam Lock Screws.



STEP 9

Place Top (A) onto the unit.

Put Cam Locks into the holes of the Side Panel (B) and (C), and tighten all Cam Locks as to secure the top with the body.

Insert Adjustable Pins into the side panels at the desired level.

Place Shelf (P).

STEP 10

Attach Pull Handles to the Door (W) and (X) using Machine Screws. (See figure 1)

Attach the Door (W) and (X) to Side Panel (B) and (C), slide the door lift hinges into the side panel lift hinges. (See figure 2)

Slide the Drawers (N) and (O) into place.

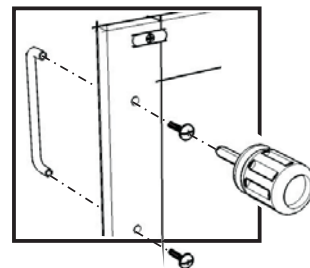


Figure 1

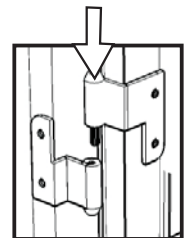
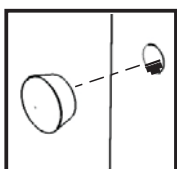
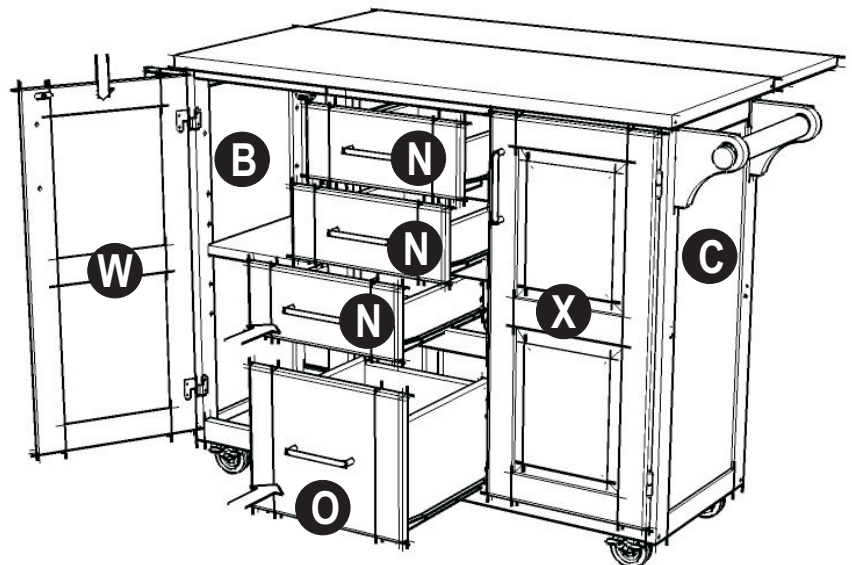


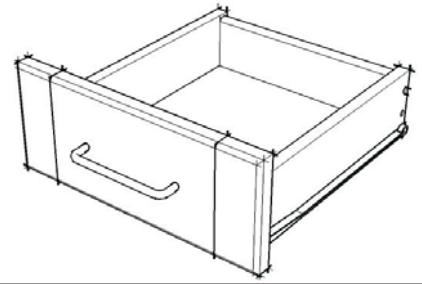
Figure 2



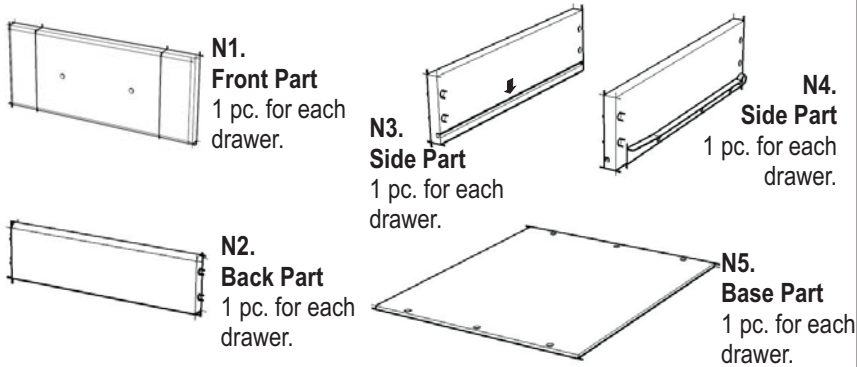
STEP 11

Cover up all holes with Wood Plugs.

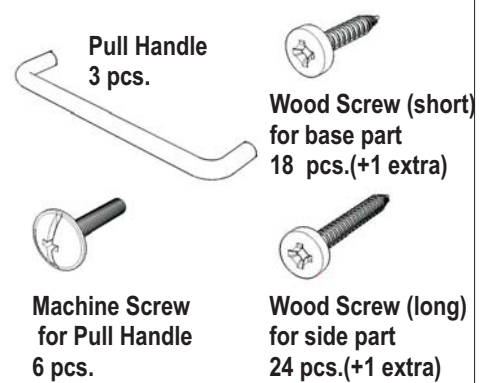
88 5086 95C Drawer (N)



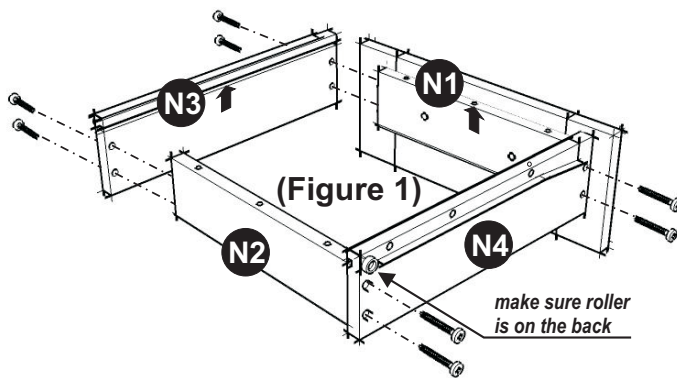
UNIT PART LIST



HARDWARE LIST

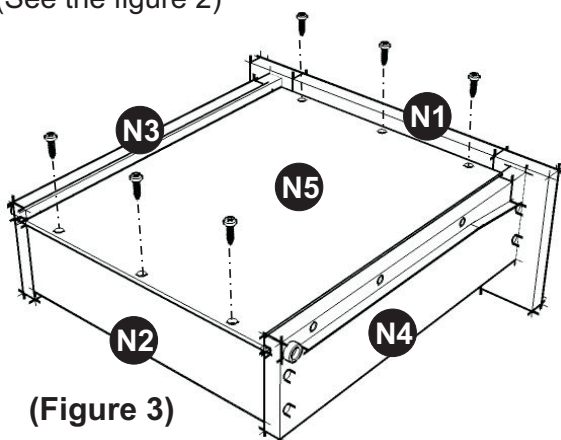
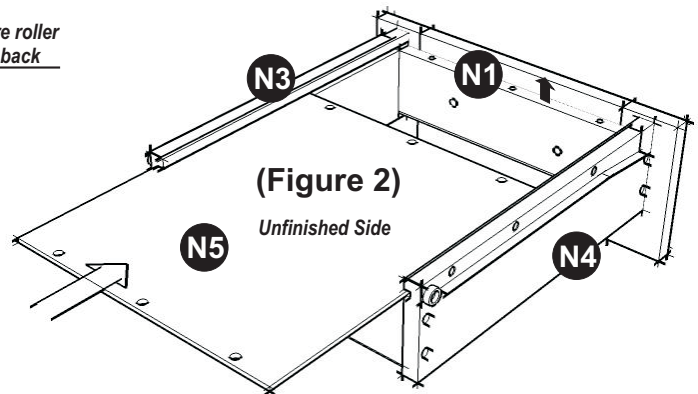


Assembly Instructions

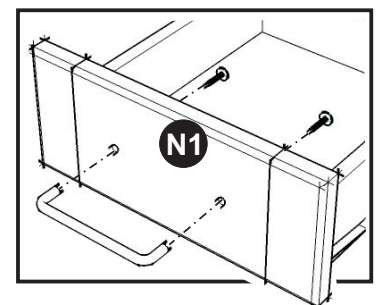


Using a **philips screwdriver**, insert 1" screws into the pre-drilled holes as shown, tighten half way. (See the figure 1)

Slide the Plywood Base Part (N5) into the grooves on Side Parts (N3) and (N4). Be sure to push the plywood all the way forward so it meets the Front Part (N1). (See the figure 2)



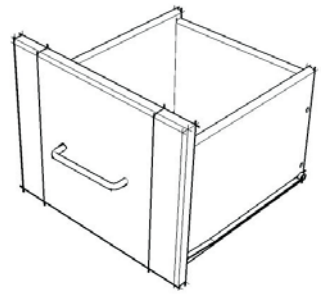
Insert the remaining (6) 1/2" screws into the pre-drilled holes on Base Part (N5), then tighten all screws.



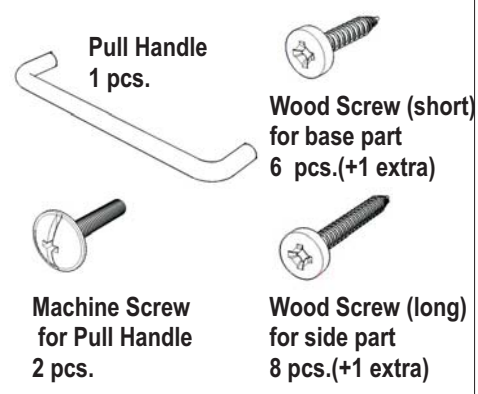
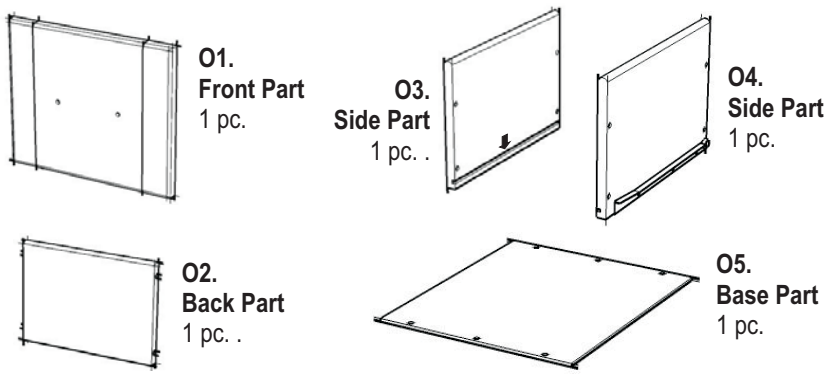
Assemble the Pull Handle with Machine Screw on the Front Part (N1).

* If you are missing any of these parts, please contact our DMI Customer Service Department at 1-877-831-0319 or fax us at 1-800-755-2878.

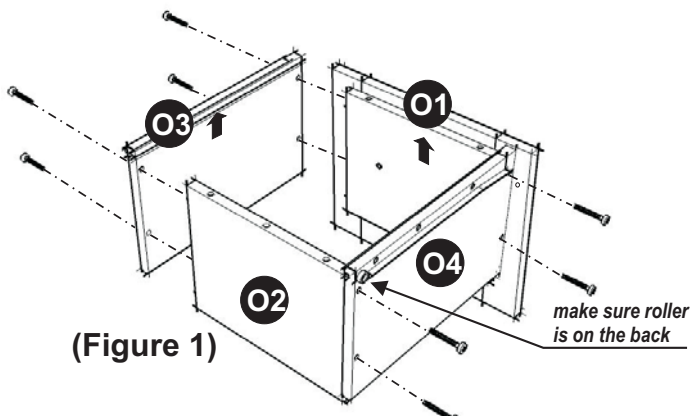
88 5086 95C Drawer (O)



UNIT PART LIST HARDWARE LIST

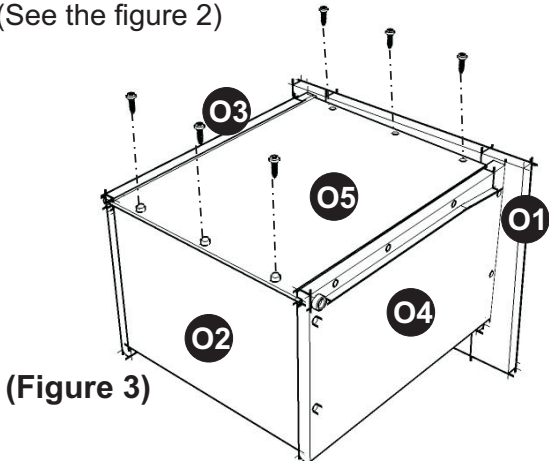
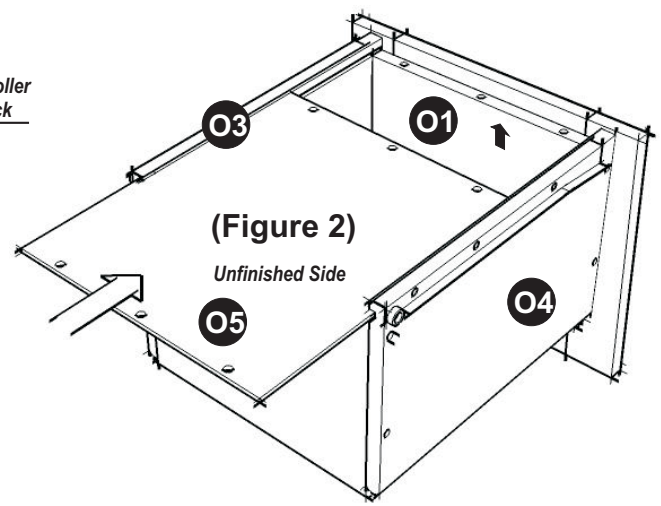


Assembly Instructions



Using a philips screwdriver, insert 1" screws into the pre-drilled holes as shown, tighten half way. (See the figure 1)

Slide the Plywood Base Part (O5) into the grooves on Side Parts (O3) and (O4). Be sure to push the plywood all the way forward so it meets the Front Part (O1). (See the figure 2)



Insert the remaining (6) 1/2" screws into the pre-drilled holes on Base Part (O5), then tighten all screws (See the figure 3)

* If you are missing any of these parts, please contact our DMI Customer Service Department at 1-877-831-0319 or fax us at 1-800-755-2878.

Assemble the Pull Handle with Machine Screw on the Front Part (O1). (See the figure 4)

