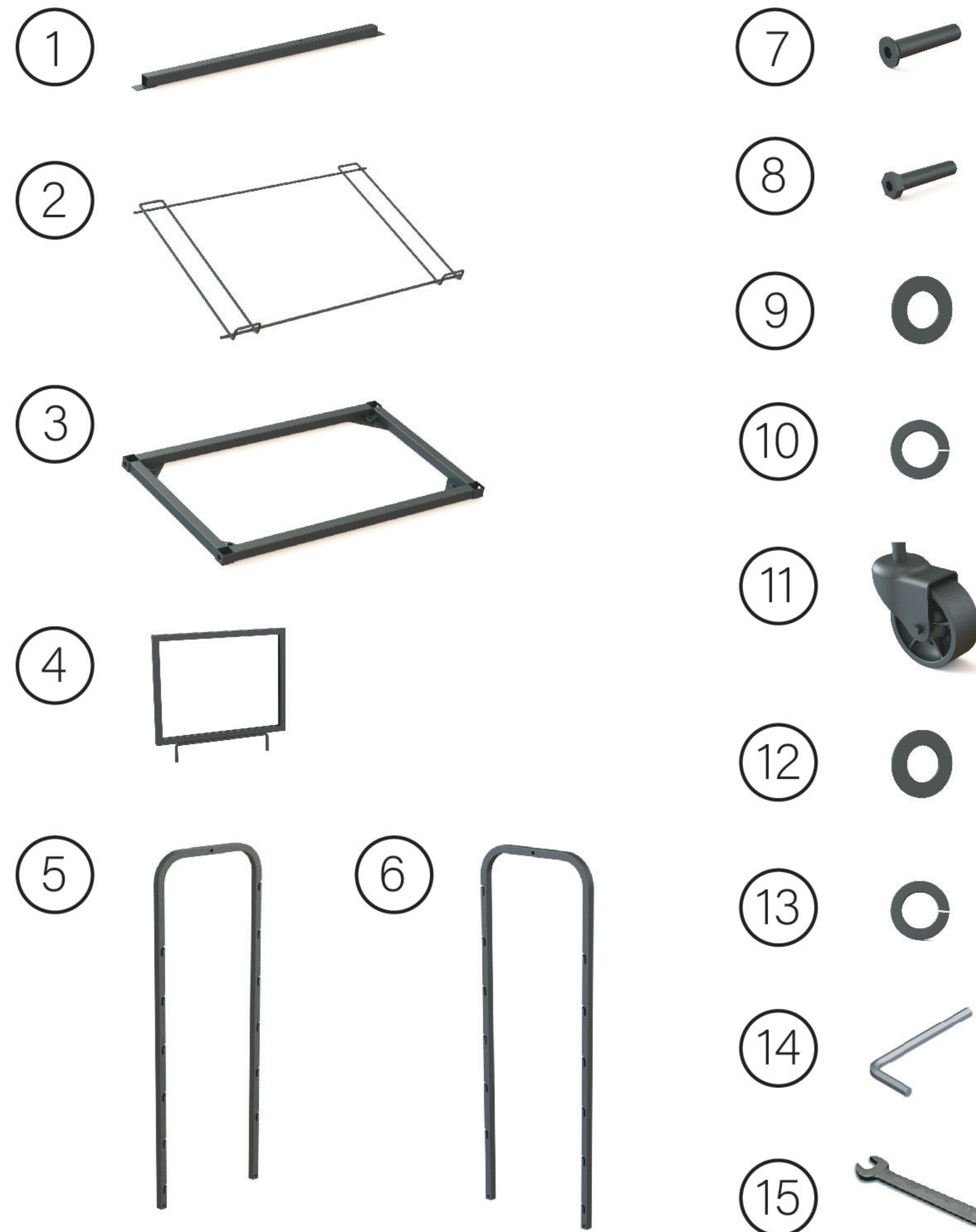
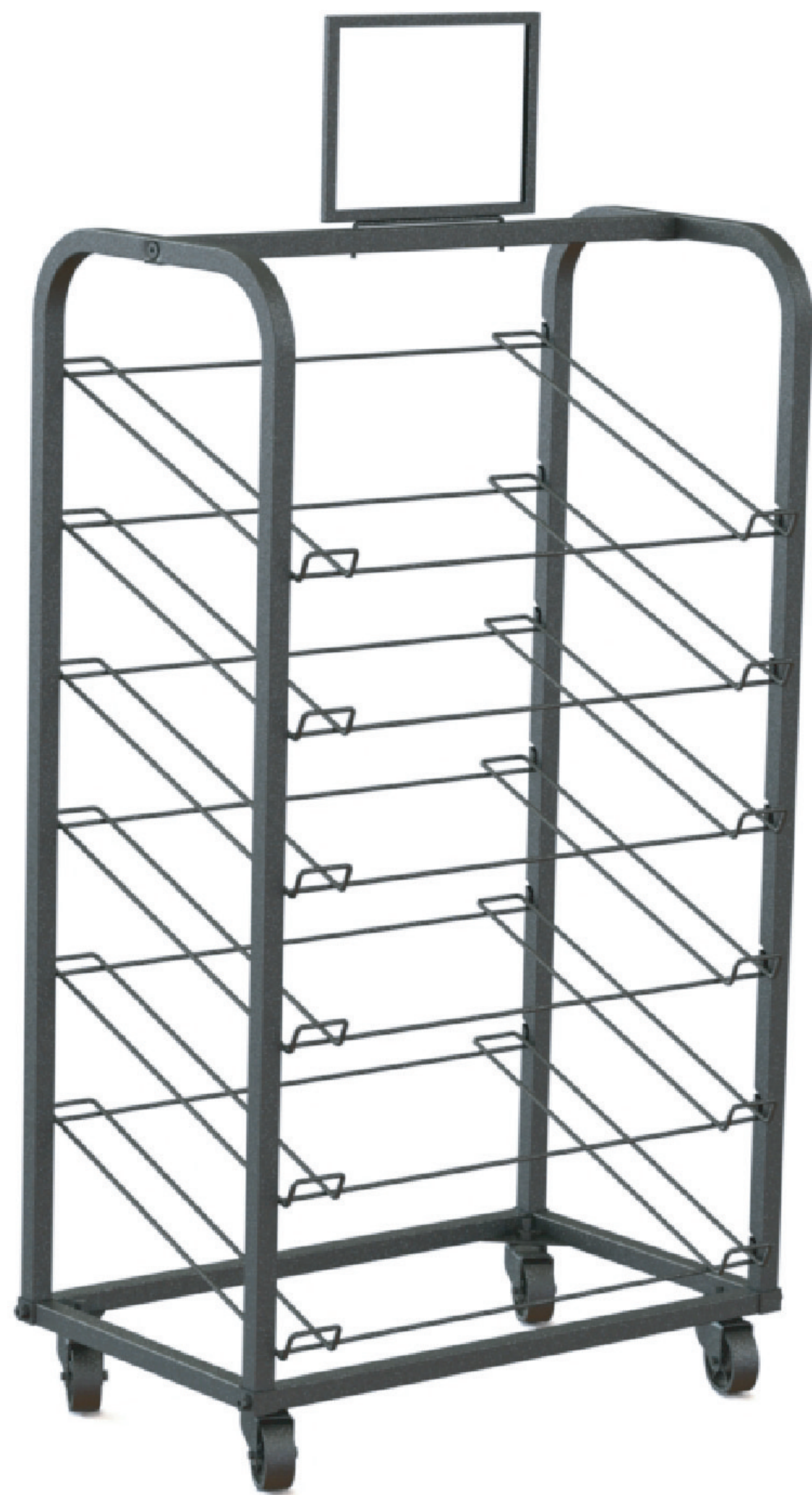


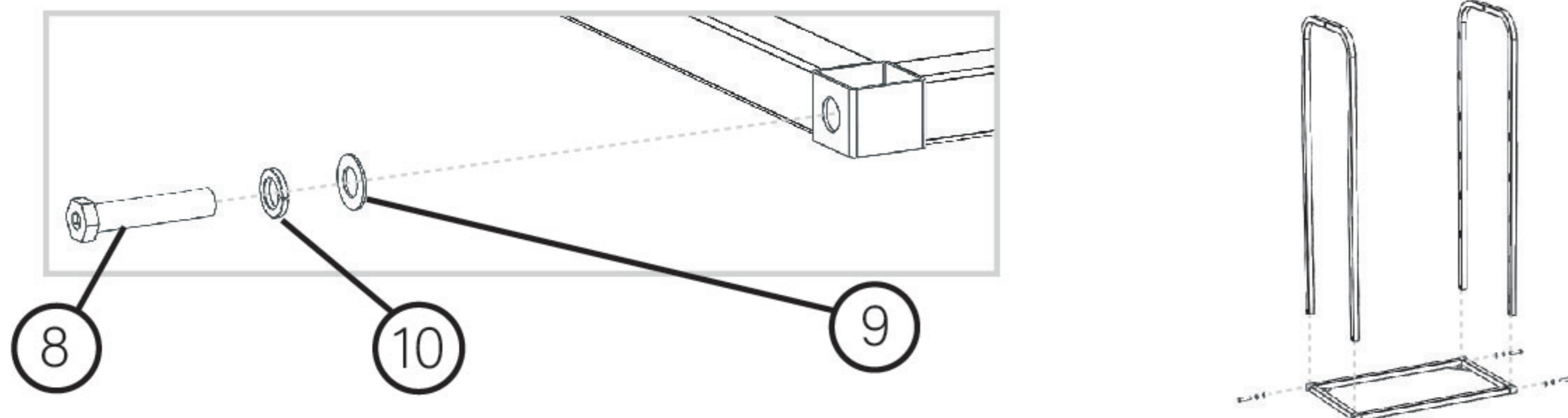
ASSEMBLY INSTRUCTIONS



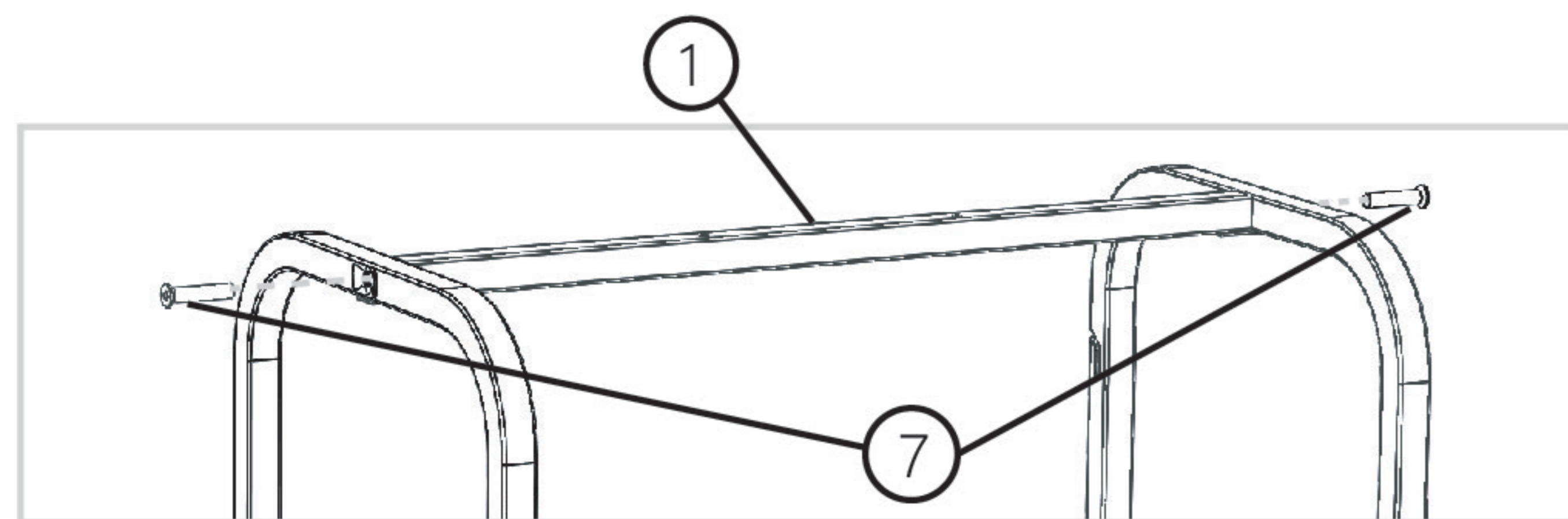
- 1. Top Bar
- 2. Tray Shelf x 6
- 3. Base
- 4. Sign Holder
- 5. Left Side
- 6. Right Side
- 7. Countersunk Bolt x 2
- 8. Hex Bolt x 4
- 9. Black Flat Washer x 4
- 10. Black Lock Washer x 4
- 11. Caster x 4 (2 locking)
- 12. Flat Washer x 4
- 13. Lock Washer x 4
- 14. Allen Wrench
- 15. Wrench

ASSEMBLY INSTRUCTIONS

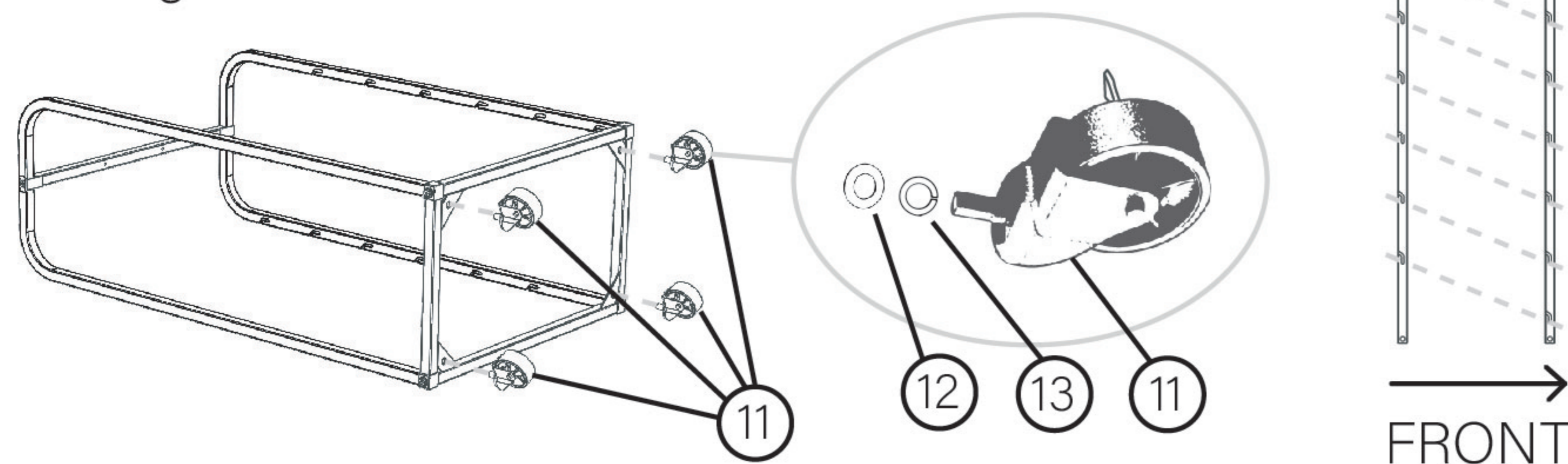
- ① Insert bottom of Left Side into Base as shown, with slots facing inward. Secure Left Side to Base with 2 Hex Bolts, 2 Black Lock Washers, and 2 Black Flat Washers. Repeat on Right Side.



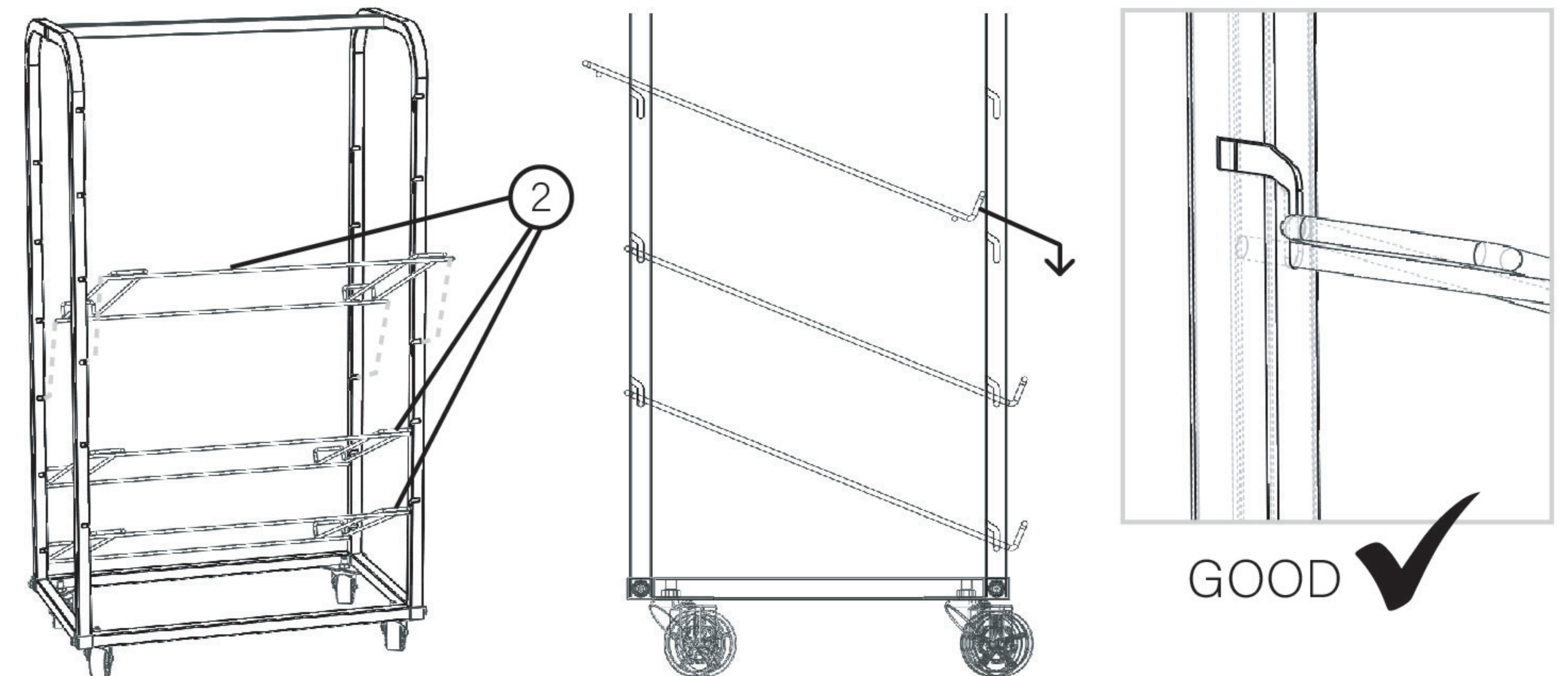
- ② Attach Top Bar to sides as shown with 2 Countersunk Bolts.



- ③ Lay frame on its side and screw in 4 casters, with 4 Lock Washers and 4 Flat Washers. Be sure to install locking casters on front side.



- ④ Lift frame upright and install shelves from the back, where the shelf slots are visible, starting with the bottom shelf. Gripping shelf with each hand in the center of one of the horizontal wires, align 4 wire ends with slots as shown and slide forward, then down to secure.



- ⑤ Insert Sign Holder into Top Bar as shown.

