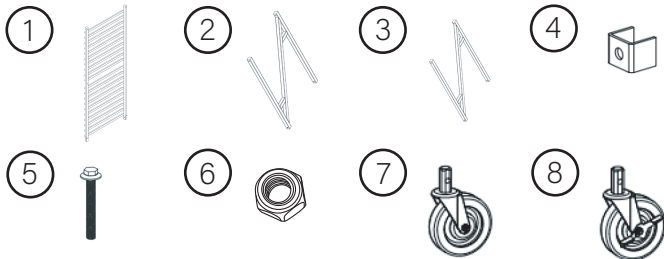


ASSEMBLY INSTRUCTIONS

COMPONENTS



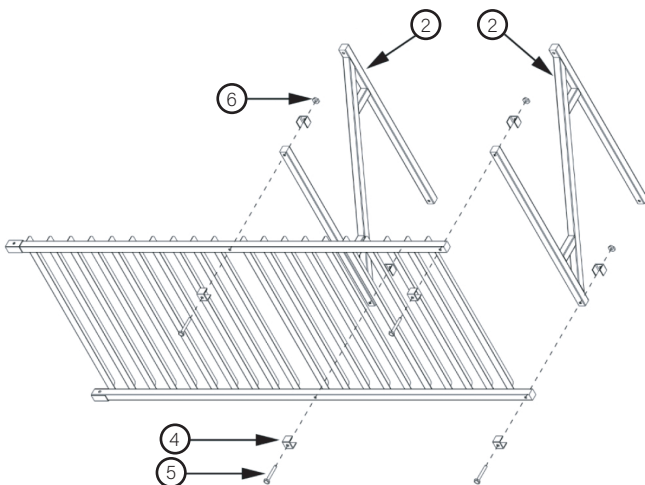
Be sure to identify and confirm you have received all parts before assembly.

- | | |
|----------------------------------|---------------------------------|
| 1. Side Frames x 2 | 5. Hex Bolts x 12 |
| 2. Big "Z" Mounting Brackets x 2 | 6. Nuts x 8 |
| 3. Small "Z" Mounting Bracket | 7. Swivel Casters w/o Brake x 2 |
| 4. "U" Washers x 16 | 8. Swivel Casters w/Brake x 2 |

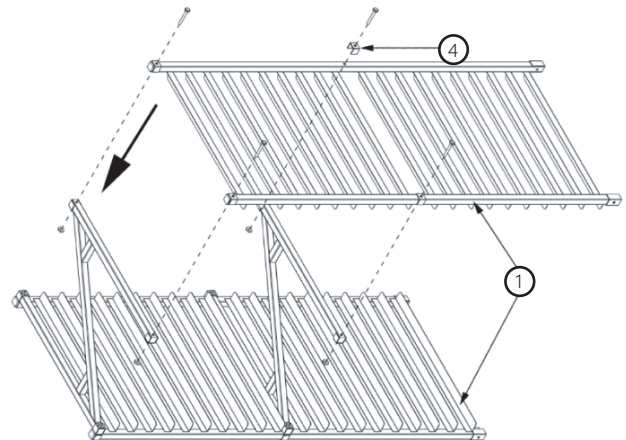
TOOLS NEEDED (NOT INCLUDED):

- Adjustable Wrench  Another Wrench, or Pliers 

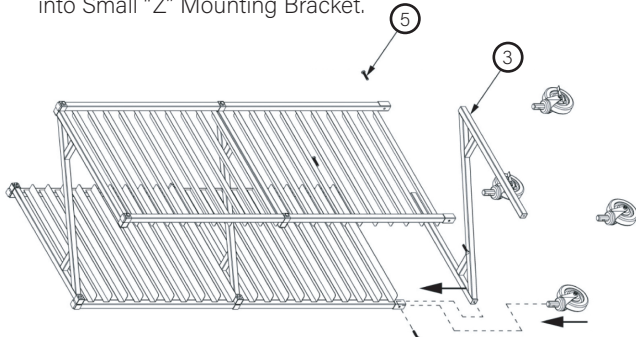
- 1** Attach two Big "Z" Mounting Brackets to one of the Side Frames with "U" Washers, Hex Bolts, and Nuts, as shown. **NOTE: Do not fully tighten the Bolts until Step 4.**



- 2** Repeat on opposite side of Big "Z" Mounting Brackets with other Side Frame.



- 3** Insert 4 Casters into bottom of Side Frame posts, making sure the holes in the Casters line up with the holes in the frame. Align Small "Z" Mounting Bracket with same holes in frame, as shown, and insert Hex Bolts through frame and into Small "Z" Mounting Bracket.



- 4** Lift and place the rack upright, check balance, and tighten all the bolts to complete the assembly. **NOTE: Use a wrench or pliers to hold the Bolt head while turning the Nuts with a wrench, until tight. Ensure all Bolts pass completely through Nuts.**

