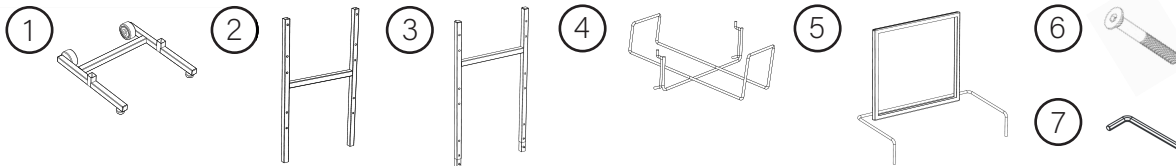


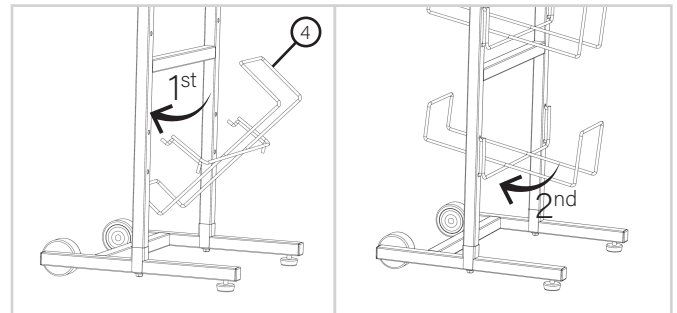
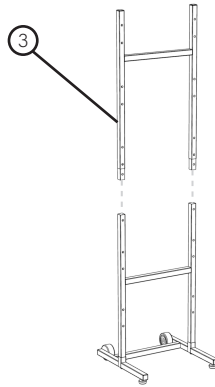
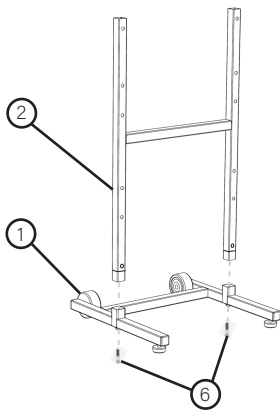
ASSEMBLY INSTRUCTIONS

COMPONENTS



Be sure to identify and confirm you have received all parts before assembly.

- 1 Insert Bottom Frame(2) posts into Base(1) as shown. Secure from below with Bolts(6).
- 2 Press spring buttons on Top Frame(3) and insert into Bottom Frame as shown, until it snaps in place.
- 3 To assemble Holder Attachments(4), angle each in front of a pair of holes in the frame, as shown, then insert top hook into top hole, and angle attachment down to insert bottom hook into bottom hole. It is recommended to install attachments starting with the bottom-most holes and working your way up.



- 4 Assemble Sign Holder(5) by inserting wires into tubes on back of Top Frame as shown.

