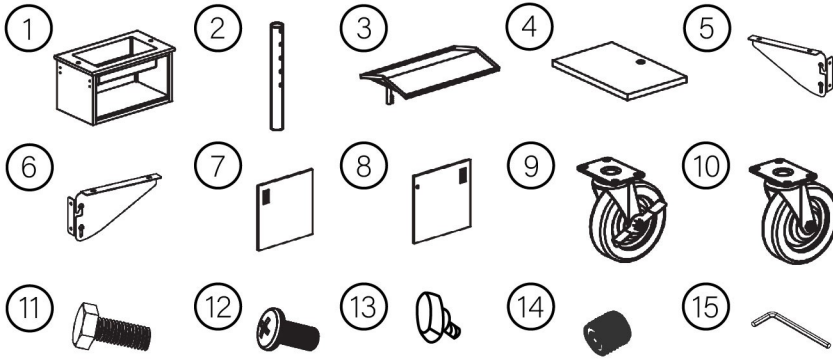


### ASSEMBLY INSTRUCTIONS

#### COMPONENTS



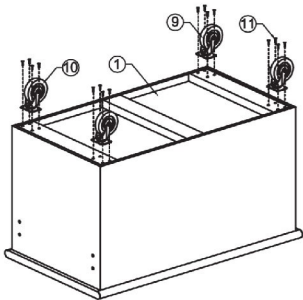
- 1. Cabinet
- 2. Support Tubing x 2
- 3. Slant Shelf
- 4. Side Shelf
- 5. Right Bracket for Side Shelf
- 6. Left Bracket for Side Shelf
- 7. Left Door
- 8. Right Door w/Lock, Keys
- 9. Swivel Caster w/Brake x 2
- 10. Swivel Caster w/o Brake x 2
- 11. Bolt M8 x 16
- 12. Bolt M6 x 8
- 13. Knob x 4
- 14. M8-A x 4
- 15. Allen Wrench

#### TOOLS NEEDED (NOT INCLUDED):

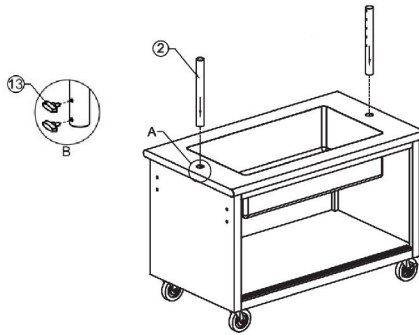
- Phillips Head Screwdriver
- 14mm Wrench

\*\*Be sure to identify and confirm you have received all parts before assembly.\*\*

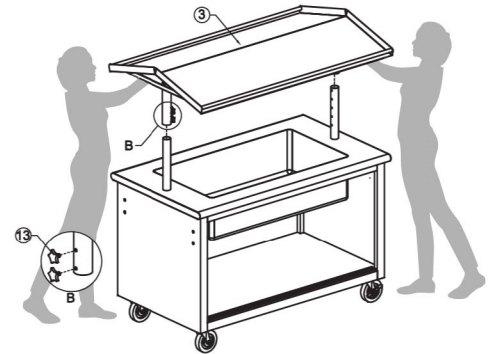
**1** Lay Cabinet upside down and insert Casters into the hat channel using Bolt M8 (11). Consider your application when choosing the location of the locking casters.



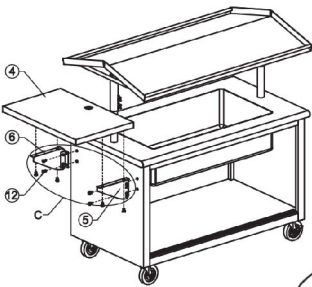
**2** Turn the cart upright. Insert Support Tubing into counter and secure with Bolt M8-A (14). Do not fully tighten bolts until slant shelf is fully assembled.



**3** Using two people, lift and place shelf over support tubing at desired height, then tighten Knobs (13).

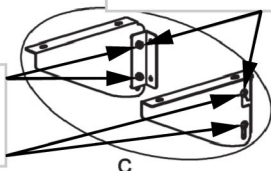


**4** Install Right and Left Shelf Brackets to Cabinet, then Shelf to Brackets, using Bolt M6 (12).



Loosen screws to fold side shelf.

Be sure screws are tightened before assembly.



**5** To install doors, be sure they are oriented as shown below. First, angle Left Door up into top innermost channel, then align into the innermost bottom channel. **Use key to unlock lock on Right Door (D)**, then install Right Door in outermost upper and lower channels.

