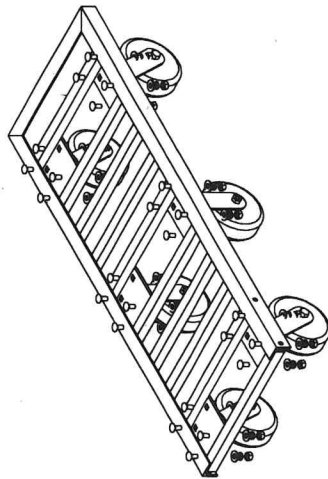


# HUBERT®

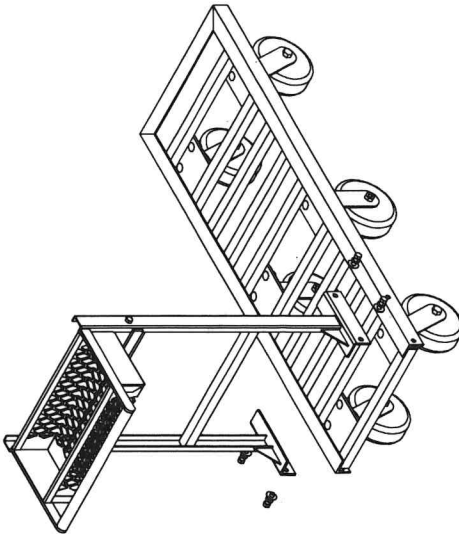
## ASSEMBLY INSTRUCTIONS

ITEM #74413 / BROWN CART  
ITEM #87009 / BROWN CART

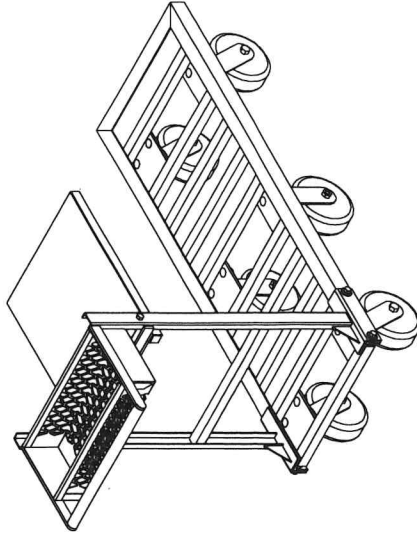
Step 1: Bolt the caster to the bottom  
(USES 3/8-16X1 carriage bolts,  
flat washers ,spring washers  
and nuts)



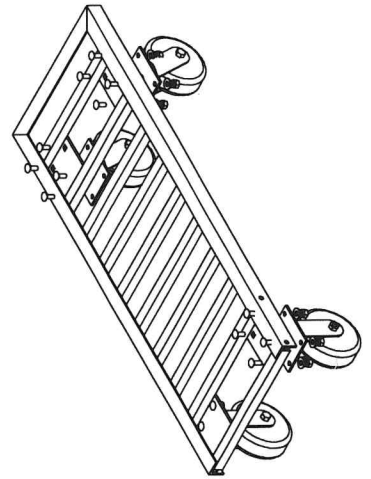
Step 2: Bolt the handle to the bottom  
(USES 3/8-16X1-1/4 bolts ,flat  
washers and spring washers )



Step 3: Bolt the shelf to the handle  
(USES 3/8-16X7/8 bolts,flat washers and nuts)



ITEM #74413



ITEM #87009

